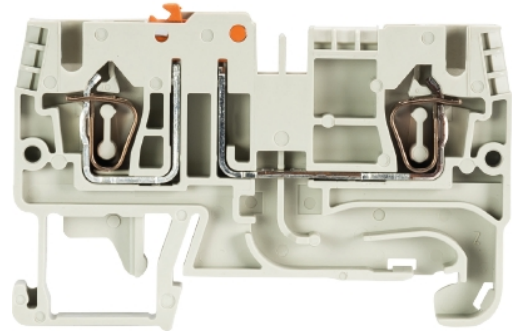


## Data sheet

Commercial Art.No.: 56.703.5355.0

knife disconnect terminal WKFN 2,5 TKM/35

Knife edge disconnect terminal with tension spring connection for mounting on TS 35,  
nominal cross section: 2.5 mm<sup>2</sup>, width: 5 mm, color: grey



Commercial Art.No.	56.703.5355.0
EAN	4015573834651
Order Unit	100

certificates / approvals



## Technical data

### general

nominal cross section	2.5 mm <sup>2</sup>
color	grey
number of levels	1
number of clamp positions per level	2
width/grid dimension	5 mm
insulating housing	PA666
flammability class of insulation material acc. with UL94	V0
mounting method	DIN rail (top hat rail) 35/7.5 mm
terminal blocks for electrical installations	yes

### technical data

rated current	20 A
rated voltage	630 V
rated impulse voltage	6 kV
pollution degree	3
closing plate required	yes
type of insulation material	thermoplastic
length	59.7 mm

### connection data

connection type 1	spring clamp connection
connection type 2	spring clamp connection

minimum cross section solid	0.14 mm <sup>2</sup>
maximum cross section solid	4 mm <sup>2</sup>
minimum cross section fine stranded	0.2 mm <sup>2</sup>
maximum cross section fine stranded	2.5 mm <sup>2</sup>
wire strip length	11 mm

**technical data UL/CSA**

cross section UL	24-12 AWG
voltage UL	300 V
current factory wiring	19 A
current field wiring	19 A
cross section CSA	24-12 AWG
voltage CSA	300 V
current CSA	20 A

**additional data**

integrated test socket	no
------------------------	----

**classification**

ECLASS 11	
ECLASS 8.1	27141126
ETIM 9.0	EC000902
ETIM 8.0	EC000902
ETIM 7.0	EC000902
ETIM 6.0	EC000902
ETIM 5.0	EC000902
ETIM 4.0	EC000902
ETIM 3.0	EC000902

**product compliance**

ROHS conformity status	compliant
REACH-SVHC conformity status	compliant

**Accessories**

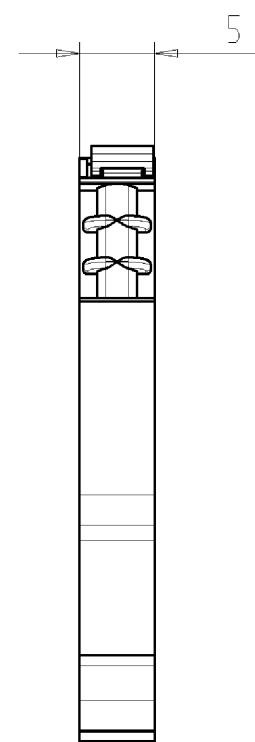
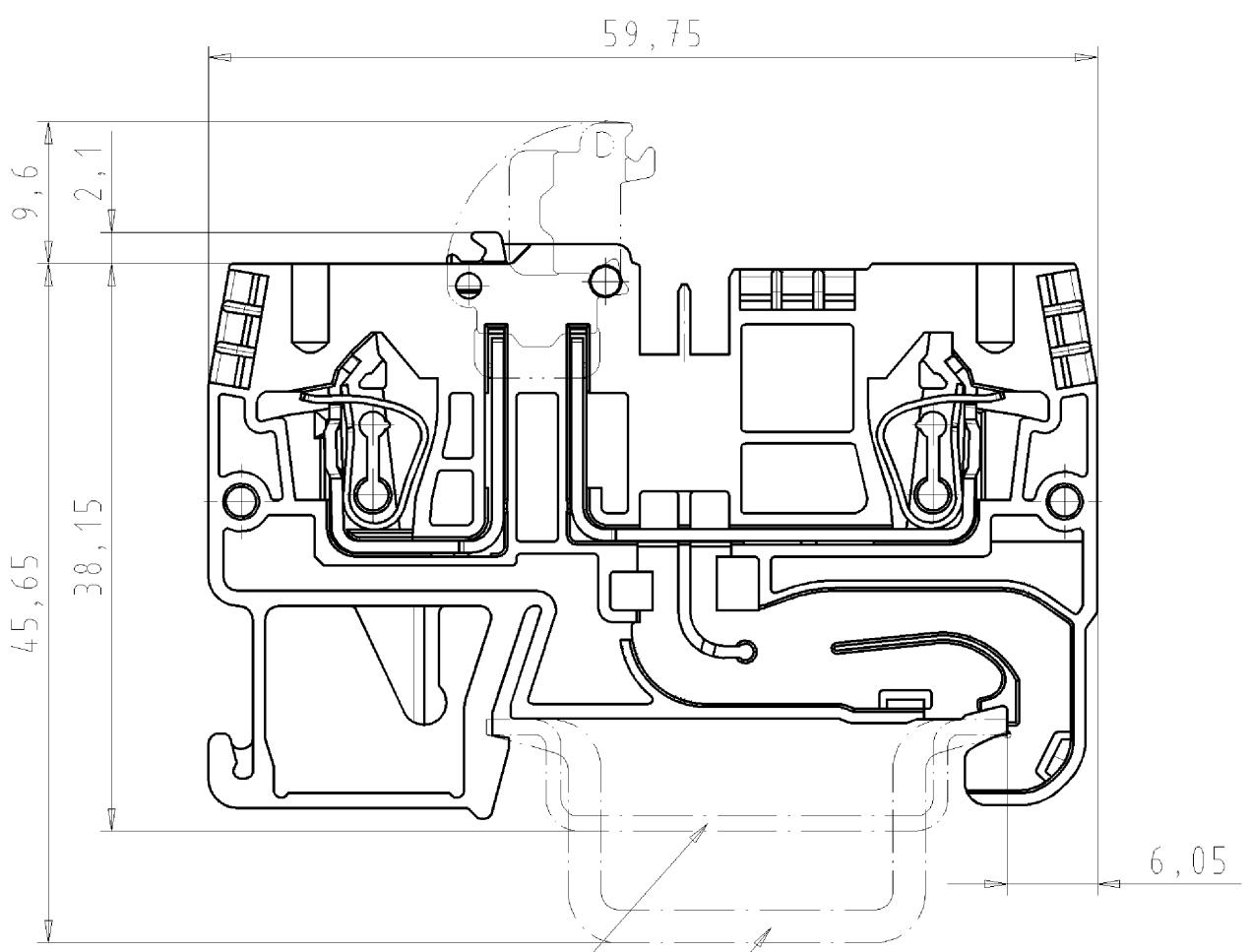
Commercial Art.No.:	Article-type description:	Description:
Z7.280.6227.0	jumper bar IVBWK 2,5- 2	Cross connector, insulated for DIN rail terminal blocks type WKF..., 2 - pole
Z7.280.6327.0	jumper bar IVBWK 2,5- 3	Cross connector, insulated for DIN rail terminal blocks type WKF..., 3 - pole
Z7.280.6427.0	jumper bar IVBWK 2,5- 4	Cross connector, insulated for DIN rail terminal blocks type WKF..., 4 - pole
Z7.280.6527.0	jumper bar IVBWK 2,5- 5	Cross connector, insulated for DIN rail terminal blocks type WKF..., 5 - pole
Z7.280.6627.0	jumper bar IVBWK 2,5- 6	Cross connector, insulated for DIN rail terminal blocks type WKF..., 6 - pole
Z7.280.6727.0	jumper bar IVBWK 2,5- 7	Cross connector, insulated for DIN rail terminal blocks type WKF..., 7 - pole
Z7.280.6827.0	jumper bar IVBWK 2,5- 8	Cross connector, insulated for DIN rail terminal blocks type WKF..., 8 - pole

Z7.280.6927.0	jumper bar IVBWK 2,5- 9	Cross connector, insulated for DIN rail terminal blocks type WKF..., 9 - pole
Z7.280.7027.0	jumper bar IVBWK 2,5- 10	Cross connector, insulated for DIN rail terminal blocks type WKF..., 10 - pole
07.312.6955.0	end plate APFN 2,5 D1/2/35	End plate for DIN rail terminal blocks type WKFN 2,5 D1/2..., color: grey
07.312.7055.0	partition TWFN 2,5 D1/2/35	Partition for DIN rail terminal blocks type WKFN 2,5 D1/2..., color:
Z7.280.7127.0	jumper bar IVBWK 2,5- 11	Cross connector, insulated for DIN rail terminal blocks type WKF..., 11 - pole
Z7.280.7227.0	jumper bar IVBWK 2,5- 12	Cross connector, insulated for DIN rail terminal blocks type WKF..., 12 - pole
Z7.280.8027.0	jumper bar IVBWK 2,5- 20	Cross connector, insulated for DIN rail terminal blocks type WKF..., 20 - pole
05.564.3755.0	wire entry guides LEL 2,5/1 white	Wire entry guides for wires with a nominal cross section of 0.13mm <sup>2</sup> -0.20mm <sup>2</sup> , color: white
04.242.5053.0	marking tag strips 9705 A / 5 / 10	Marking tag strips for DIN rail terminal blocks type 9700 A / 5..., 10 tags per strip, color: white, unmarked, markable with Wieplot plotter-system
98.300.1000.0	mounting rail TS 35x7,5 PERF 15mm - l:2000mm	Mounting rail TS 35, slotted, size 7,5 mm, length 2 m, material steel. galv. zinc-plated and passivated

These dimensions will be especially checked at delivery  
Only inspection dimensions  
With /E marked dimensions are only valid for internal use

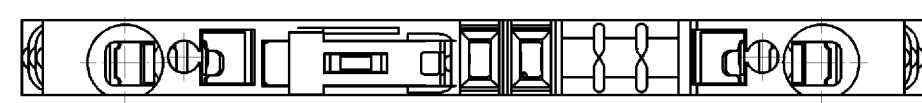
Diese Maße werden bei Abnahme besonders geprüft  
Ausschließlich Prüfmaße  
Mit /E gekennzeichnete Maße sind nur für interne Zwecke gültig

○



Hutschiene EN 60715-35x7,5  
mounting rail EN 60715-35x7,5

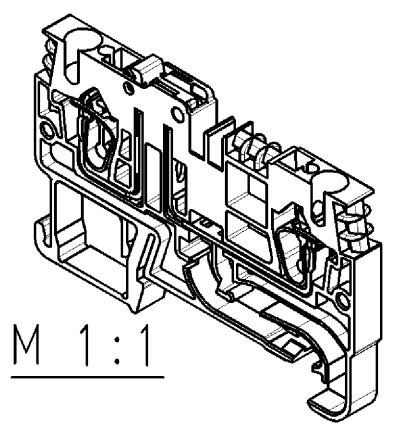
Hutschiene EN 60715-35x15  
mounting rail EN 60715-35x15



\* =spezielle Verpackung/special package

Teile-Nr. part-no.	Farbe colour
56.703.5355.0	grau/grey
56.703.5355.9	orange/orange
* 56.703.5394.0	grau/grey

Weitere Daten siehe Katalog  
further data see catalog



Tolerierung nach DIN 7167/Tolerance system acc. to DIN 7167.  
(This DIN-standard describes the envelope principle. According to the envelope principle the deviations of form and parallelism are limited by the size tolerances).

ja/yes  Stoffverbots- und Deklarationsliste nach UU-TQM-05/03 ist einzuhalten.  
Conformity with Wieland document UU-TQM-05/03 (list of prohibited / declarable hazardous substances) to be declared!

Freitoleranz nach General tolerance		CAD - Zeichnung, keine manuellen Änderungen CAD - drawing, no manual modifications allowed		1. Verwendung: - First Use:		Blatt: 1 von 1 Sheet: of 1	
/	Werkstoff/Material	2006	Tag/Date	Name		Zeichnung Nr./Drawing No.	
/	Maßstab/Scale	gezeichnet drawn	12.12.	Bauer F.		T 56.703.5355.0 01K a	
/	2:1	geprüft checked	-	-		Index	
/	Vol. mm <sup>3</sup> Ofl./Surf. mm <sup>2</sup>	Normgepr. Stand. check	-	-		Maße in mm/Dimensions are in mm	
/	Ersatz für/Replacement for: -		Type		Benennung/Title		
a	24.09.2007/	wieland		WKFN 2,5	MESSERTRENNKLEMME		
Index	Datum / Blatt Date / Sheet	Elektrische Verbindungen		TKM/35	Federkraftanschluß 2,5mm <sup>2</sup>		
Änderung/Revision					knife disconnect terminal, spring clamp connection		

Weitergabe sowie Vervielfältigung dieses Dokuments, Verwertung und Mitteilung seines Inhalts sind verboten, soweit nicht ausdrücklich gestattet.  
The reproduction, distribution and utilization of this document as well as the communication of its contents to others without express authorization is prohibited.

567035355001K\_4\_CADW1044\_treschan.2007-09-24T12:03:42 1.000 QU-PEM-08/91