



Transparent door with mounting brackets

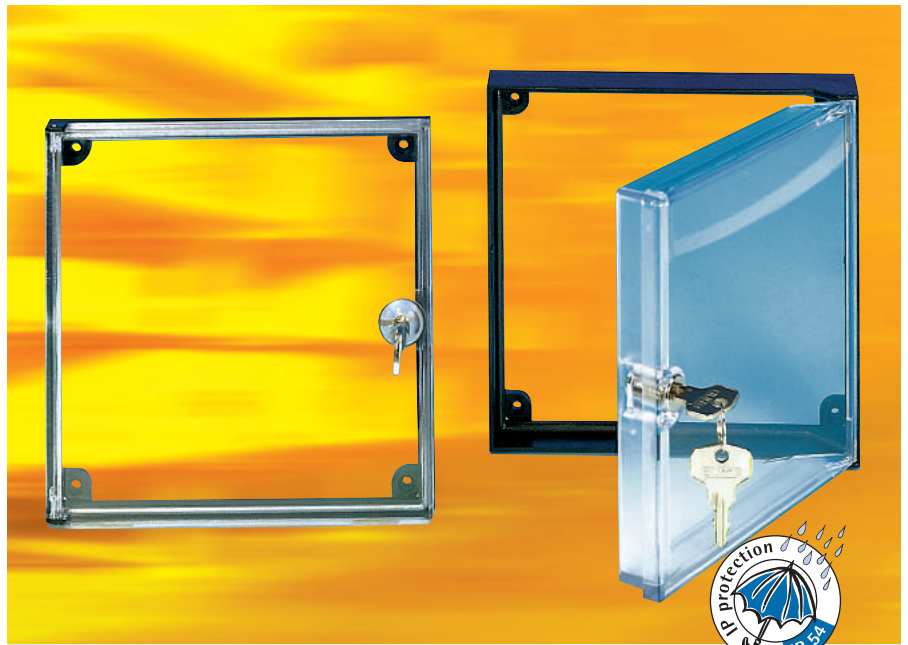
- high fitting accuracy and sealing
- excellent light transmission of the doors
- deflexion temperature: 135°C (as per DIN 53461)
- high stability, impact strength and hardness, door frame fiber-glass reinforced
- excellent electric and dielectric characteristics
- **optional sealing** between transparent door and panel available (**Material:** foam rubber black, 3 mm thick, self-adhesive on both sides)

Material:

PC, listed acc. to UL 94 V-0

Degree of protection:

IP 54



Other sizes on request. Please ask us!

A Transparent door with mounting brackets

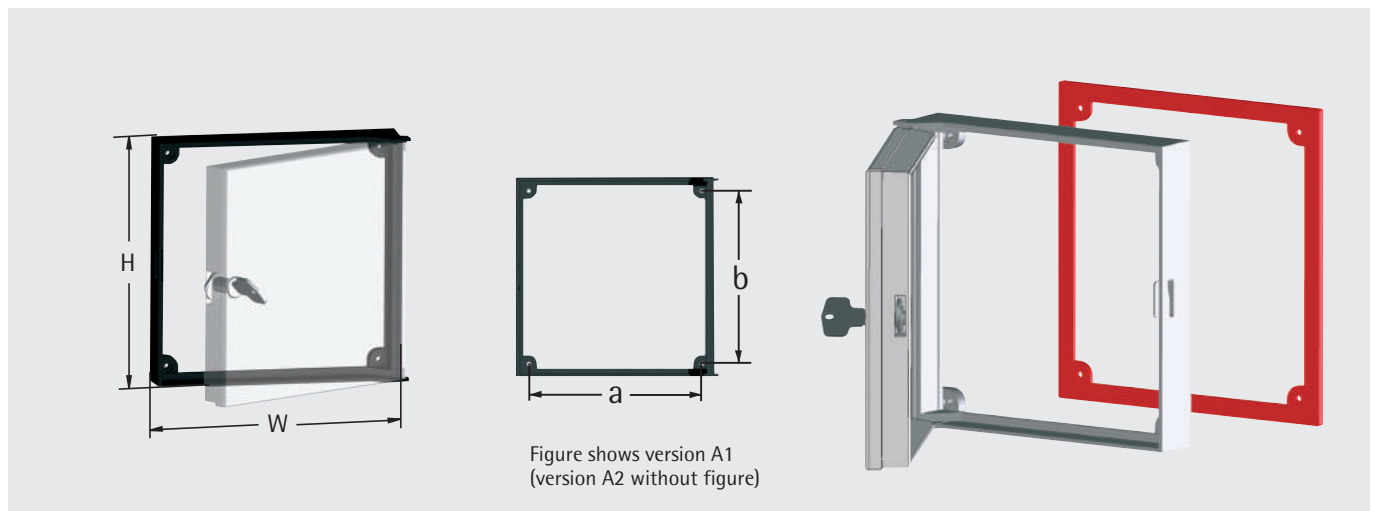


Figure shows version A1 (version A2 without figure)

clear height between front panel and inside of the door = 23 mm

W x H mm	Degree of protection	Hole pattern a x b mm	A1 Transparent door with mounting brackets and lock (lockable)	A2 Transparent door with mounting brackets and plastic sash fastener	Sealing between frame and case
72 x 144	IP 54	52,5 x 125,6	446-100-04	446-100-05	-
72 x 72	IP 54	51,6 x 51,3	446-030-04	446-030-05	-
96 x 144	IP 54	76,9 x 125,1	446-150-04	446-150-05	446-150-10
96 x 48	IP 54	76,9 x 28,8	446-090-04	446-090-05	-
96 x 96	IP 54	77,2 x 76,8	446-040-04	446-040-05	446-040-10
144 x 144	IP 54	125,9 x 125,3	446-050-04	446-050-05	446-050-10
192 x 144	IP 54	173,3 x 125,1	446-120-04	446-120-05	446-120-10
192 x 96	IP 54	173,3 x 76,9	446-110-04	446-110-05	446-110-10
288 x 144	IP 54	269,5 x 125,1	446-130-04	446-130-05	446-130-10