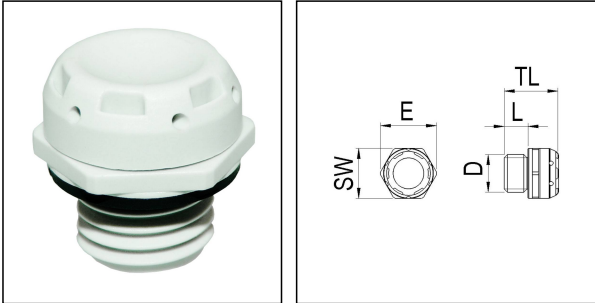


EVPS 12 LG

Pressure compensation unit, polyamide



Products may differ in size, colour and appearance to those shown. If you require further information or customisation, please contact us directly.



| | |
|---------------------------------|---------------|
| Material cable gland | Polyamide |
| Material membrane | ePTFE |
| Material sealing gasket | TPE |
| Airflow at 70mbar | 22 LH |
| Temp. range min | -40 °C |
| Temp. range max | 100 °C |
| Protection class | IP68 / IP69 |
| Thread type | M |
| Ø Connection thread D | 12 |
| Lead | 1,5 |
| Length screw-in thread L | 8 mm |
| Key width SW | 16 mm |
| Collar diameter (E) | 18 mm |
| Tightening torque | 1 N/m |
| Total length TL | 17,4 mm |
| Product Color | RAL 7035 |
| Order no. RAL 7035 | 10102369 |
| Type | EVPS 12 LG |
| Packing unit | 10 |
| EAN number | 4007685048712 |
| Tariff number | 39269097 |
| ETIM-Classification | EC000441 |

Your Contact:

WISKA UK Ltd.

Unit 7, Hurling Way · St. Columb Major Business Park · TR9 6SX, St. Columb Major, Cornwall · Great Britain

☎ +44-12-08816062 · 📠 +44-12-08816708

info@wiska.co.uk · www.wiska.co.uk

Recommended accessories

EMUG 12 LG



10060770

29.04.2024

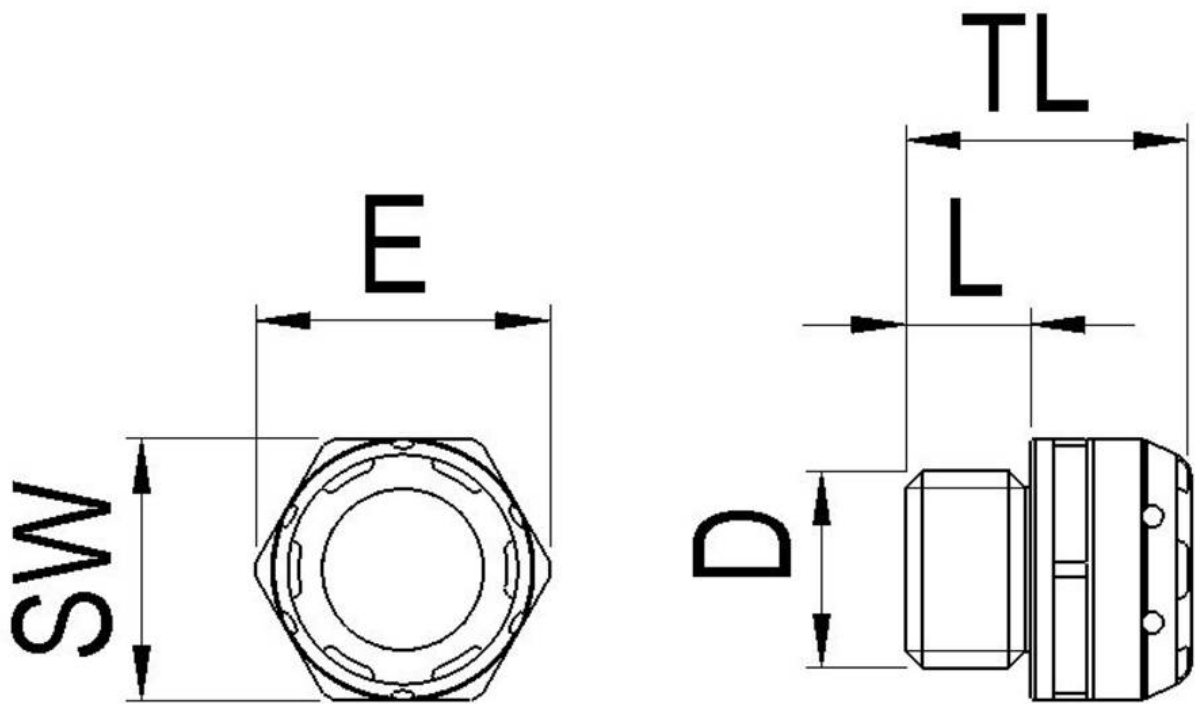
Your Contact:

WISKA UK Ltd.

Unit 7, Hurling Way · St. Columb Major Business Park · TR9 6SX, St. Columb Major, Cornwall · Great Britain

 +44-12-08816062 ·  +44-12-08816708

info@wiska.co.uk · www.wiska.co.uk



Your Contact:

WISKA UK Ltd.

Unit 7, Hurling Way · St. Columb Major Business Park · TR9 6SX, St. Columb Major, Cornwall · Great Britain

☎ +44-12-08816062 · 📠 +44-12-08816708

info@wiska.co.uk · www.wiska.co.uk