

STX LED Beacons

Continuous & Flashing Beacon



Features

- Available in Red, Amber, Green, Blue & Clear
- Ultra Bright LED, 1Hz output
- Continuously rated
- Weatherproof to IP65
- Easy Installation
- Multi Voltage
- Two mounting options
- 180° Visibility
- Both Continuous & Flashing outputs configurable via 3 wires



Part Number

Colour

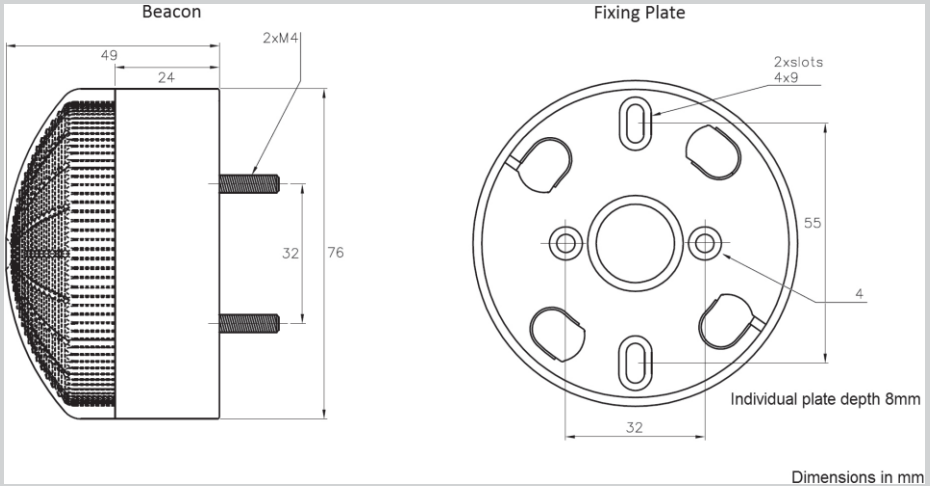
Voltage

STXLED-24DA-R	Red	12-24VAC/DC
STXLED-24DA-A	Amber	12-24VAC/DC
STXLED-24DA-G	Green	12-24VAC/DC
STXLED-24DA-B	Blue	12-24VAC/DC
STXLED-24DA-C	Clear	12-24VAC/DC
STXLED-230A-R	Red	110-240VAC
STXLED-230A-A	Amber	110-240VAC
STXLED-230A-G	Green	110-240VAC
STXLED-230A-B	Blue	110-240VAC
STXLED-230A-C	Clear	110-240VAC

STX LED Beacons

Continuous & Flashing Beacon

Dimensions



Technical Details

Weight	135g
Temperature	-20 to +55 °C
IP Rating	IP 65
Output	Ultra Bright LED Chip
Flash Frequency	1Hz (60 Flashes per Min)
Visibility	180°
Current	90mA at 12/24VAC/DC 120mA at 110/240VAC

Installation Details

Panel Mount via 2 x M4 13mm Studs

Surface Mount via 2 Piece fixing plate

2 x Nuts & Washers provided

Wiring

STXLED-24DA: 3 x 550mm leads. Red wire +ive, Black Wire -ive flashing, Grey Wire -ive continuous

STXLED-230A: 3 x 550mm leads. Red wire +ive, Black Wire -ive flashing, Grey Wire -ive continuous

To maintain IP Rating, ensure sponge gasket is used

Installation

