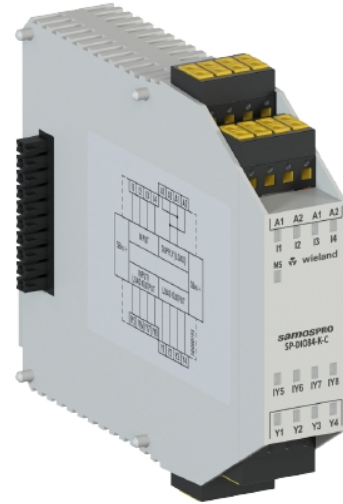


## Data sheet

Commercial Art.No.: R1.190.1060.0

PLC digital I/O-module SP-DIO84-K-C DC 24V

samosPRO, IO-module with 8 non-safe inputs/4 non-safe outputs, 4 configurable non-safe I/O, push-in terminal pluggable



Commercial Art.No.	R1.190.1060.0
EAN	4049088355295
Order Unit	1

certificates / approvals



## Technical data

### general

in-/outputs configurable	yes
--------------------------	-----

### connection data

type of electric connection	spring clamp connection
-----------------------------	-------------------------

### output circuit

number of outputs	4
output current	0.5 A
short-circuit protection, outputs	yes
type of digital output	transistor

### other

suitable for safety functions	no
type of supply voltage	DC
type of voltage (input voltage)	

### control circuit

number of inputs	8
input current (at state "1")	3 mA
permitted voltage at input	30 V

### supply circuit

Nennspannung DC	24 V
min. supply voltage at DC	16.8 V
max. supply voltage at DC	30 V

**dimensions**

depth	121 mm
width	22.5 mm
height	96.5 mm

**classification**

ECLASS 11	
ECLASS 8.1	27242204
ETIM 9.0	EC001419
ETIM 8.0	EC001419
ETIM 7.0	EC001419
ETIM 6.0	EC001419
ETIM 5.0	EC001419
ETIM 4.0	EC001419
ETIM 3.0	EC001419

**product compliance**

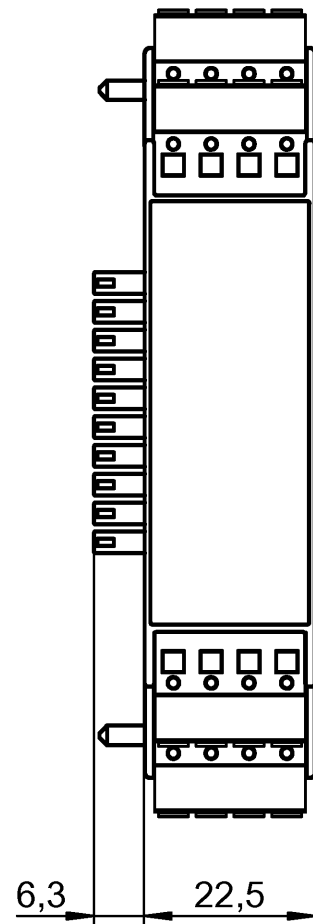
ROHS conformity status	compliant/exempted
ROHS exceptions	III-7(c)I
REACH-SVHC conformity status	Duty-To-Declare
REACH-SVHC substances	Lead
REACH-SVHC CAS numbers	7439-92-1

**Accessories**

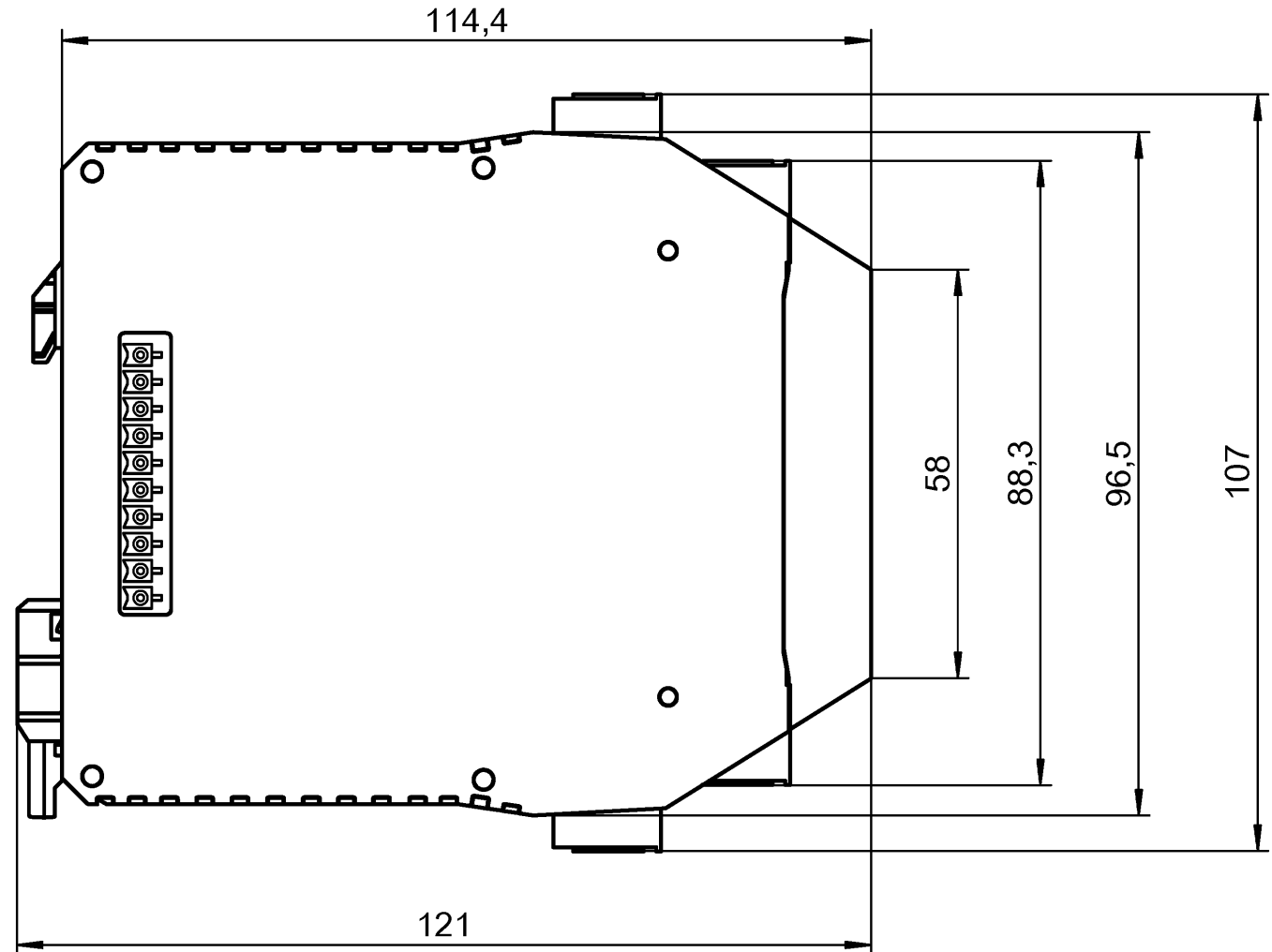
Commercial Art.No.:	Article-type description:	Description:
99.208.9999.9	PCB connector SAFETY SCHRAUBKL.SET	
99.209.9999.9	safety plug set push in SAFETY PUSH IN SET	
R1.190.1010.0	samosPRO SP-CABLE-USB1	samosPRO-USB cable for SP-COP, 1,8 m
56.202.8055.0	initiator terminal WTP 1,5 I/O-3	Initiator terminal with push in connection for mounting on TS 35,nominal cross section: 1,5 mm <sup>2</sup> ,Width: 3,5 mm,Color: grey

Teile Nr. / Part No.
R1.190.0040.0
R1.190.0060.0
R1.190.1060.0

ⓑ

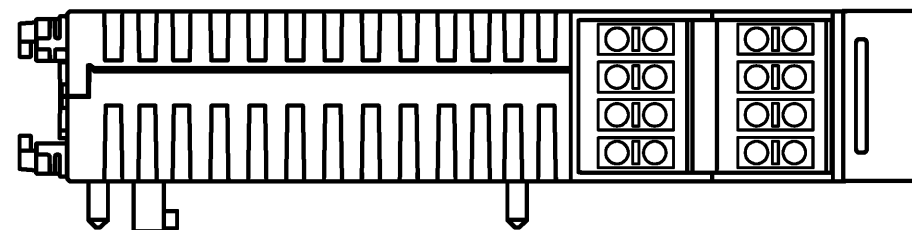


ⓑ



ⓐ ⓑ

ⓑ



Weitere Angaben siehe KATALOG oder eKatalog. Additional data see CATALOG or eCatalog. [www.wieland-electric.com](http://www.wieland-electric.com) [eshop.wieland-electric.com](http://eshop.wieland-electric.com)

ja/yes <input type="checkbox"/> Stoffverbots- und Deklarationsliste nach WN 5020.010 ist einzuhalten. Conformity with Wieland document WN 5020.010 e (list of prohibited / declarable hazardous substances) to be declared!		1. Verwendung: First Use:		Blatt: Sheet:	
Freitoleranz nach General tolerance		CAD-Zeichnung, keine manuellen Änderungen CAD drawing, no manual modifications allowed		Zeichnung Nr. / Drawing No. <b>T R1.190.0040.0 01K</b>	
Werkstoff / Material		2014 gezeichnet drawn	Tag/Date 06.06.	Name Koetzner	
Maßstab/Scale		geprüft checked			
		Normgepr. Stand. check		Maße in mm / Dimensions are in mm	
Datei / File: 031991_B01.DCD		Ersatz für / Replacement for:			
ⓑ	19.06.17	Type		Benennung / Title Teilespezifikation / Component specification	
ⓐ	02.09.16	www.wieland www.wieland-electric.com		samos PRO Federkraftklemme steckbar samos PRO plug-in spring-clamp terminal	
Index	Datum / Blatt Date / Sheet				
Änderung / Revision					

Weitergabe sowie Vervielfältigung dieses Dokuments, Verwertung und Mitteilung seines Inhalts sind verboten, soweit nicht ausdrücklich gestattet. The reproduction, distribution and utilization of this document as well as the communication of its contents to others without express authorization is prohibited.

1  
2  
3  
4  
5  
6  
7  
8  
9  
10  
11  
12  
13  
14  
15  
16  
17  
18  
19  
20  
M1  
M2  
M3  
L  
G  
i  
11.1  
12.1  
1.1