

SWITCH MODULE - DC LINE

DCM 010 | DC 20 to 56 V



- > High DC switching capacity
- > Variety of applications

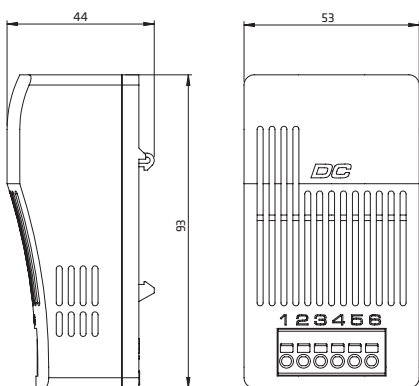
- > Wide DC voltage range
- > Simple connection

The switch module is used to control DC powered devices with high capacities in control and switch cabinets. It is controlled via an external potential-free contact (thermostat or hygrostat), which is connected between terminal 3 and 4. It must be ensured that the external contact is suitable to switch the required signal current without any problems.

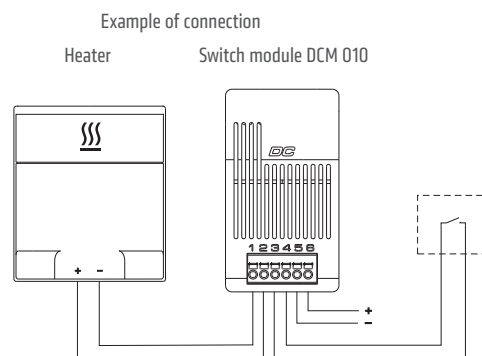
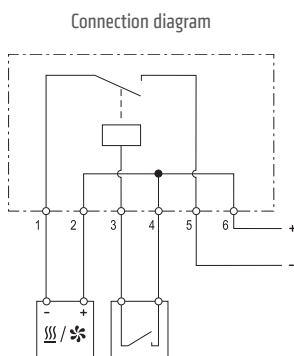


TECHNICAL DATA

Contact type	normally open (MOSFET)
Service life	> 100,000 cycles
Operating voltage	DC 20 to 56 V
Control contact – signal current	3 mA at DC 20 V / 4.5 mA at DC 24 V 14 mA at DC 48 V / 17 mA at DC 56 V
Connection	6-pole terminal: stranded wire ¹ 1.5 mm ² (AWG 16); max. 2.5 mm ² (AWG 12)
Mounting	clip for 35 mm DIN rail, EN 60715
Casing	plastic according to UL94 V-0, grey/black
Dimensions	93 x 53 x 44 mm
Weight	~ 65 g
Fitting position	vertical
Operating temperature	see article table below
Storage temperature	-40 to +80 °C (-40 to +176 °F)
Operating / Storage humidity	< 90 % RH (non-condensing)
Protection type	IP20
Approvals	UL File No. E342261, VDE, EAC
Note	other versions on request



¹ When connecting with stranded wires, wire end ferrules must be used.



Art. No.	Max. switching capacity	Operating temperature
01010.0-00	DC 15 A	-40 to +40 °C (-40 to +104 °F)
01010.0-10	DC 13 A	-40 to +50 °C (-40 to +122 °F)
01010.0-20	DC 11 A	-40 to +60 °C (-40 to +140 °F)