

## Features

- Universal Input 85~264VAC / 120~370 VDC 50/60Hz
- DC Output Adjustable
- Output Voltages: 5-24V DC
- Meets the latest Safety Standards and Approvals
- UL508, BS/EN62368-1
- High Efficiency
- Protection: Overload/Over voltage/Short circuit



Ideal Power's 56YSD100L-xy 100W DIN Rail Mount AC/DC Power Supply Converter Series are certified to UKCA, CE, cULus, RoHS & UL508/EN62368-1/BS62368-3 Standards and comply with (EU) 2019/1782, Level VI Efficiency Regulations. These are primarily used in ITE, Audio & Video Industries and customised solutions are available upon request.

### Models

Model Number	Output Voltage V DC	Output Current A	Output Power W	Efficiency %	Ripple & Noise mVp-p
56YSD100L-1207500	12	7.5	90	83	120
56YSD100L-1506000	15	6	90	83	120
56YSD100L-2404000	24	4	96	86	150
56YSD100L-4802000	48	2	96	87	200

### General Specification

Type	DIN Rail Power Supply
Number of Outputs	1
Mounting Style	Din Rail Mount
Connection Type	Screw Terminal Type
Overload Protection	>105%-150% rated output power (Hiccup mode, recovers automatically after fault condition is removed)
Over Current Protection	110% - 180%
Over Voltage Protection	12V:15.6 ~ 18V 24V:31.2 ~ 36V 48V:57.6 ~64.8V Protection type : Shut down o/p voltage, re-power on to recover

**Input Specifications**

Input Electrical Phase	Single
Line Frequency	50~60Hz
Inrush Current	30A/115VAC / 60A/230VAC
AC Current	1.3A/115VAC / 0.8A/230VAC
Leakage Current	<0.25mA/240VAC

**Output Specifications**

Output Voltage Tolerance	± 5.0%
Line Regulation	± 1.0%
Load Regulation	± 1.0%
Setup, Rise, Hold Up time	500ms, 30ms/230VAC at full load 1000ms, 30ms/115VAC at full load

**Operational Environment**

Operating Humidity	20% ~ 95% RH non-condensing
Operating Temperature Range	-20°C to 60°C, Full load, Normal operation.
Storage Temperature Range	-40°C to 85°C
Storage Humidity	10% ~ 95% RH
Isolation Resistance	I/P-O/P, I/P-FG, O/P-FG:100M Ohms / 500V DC / 25oC / 70% RH
MTBF	200000 h

**Approvals**

Safety Regulations	UL508/EN62368-1/BS62368-1
Withstand Voltage	1/P-O/P:3KVAC 1/P-FG:2KVAC O/P-FG:0.5KVAC
EMC Emissions	Compliance to BS EN/EN55032 (C1SPR32), BS EN/EN61204-3 Class B, BS EN/EN61000- 3-2,-3, EAC TP TC 020, CNS13438 Class B

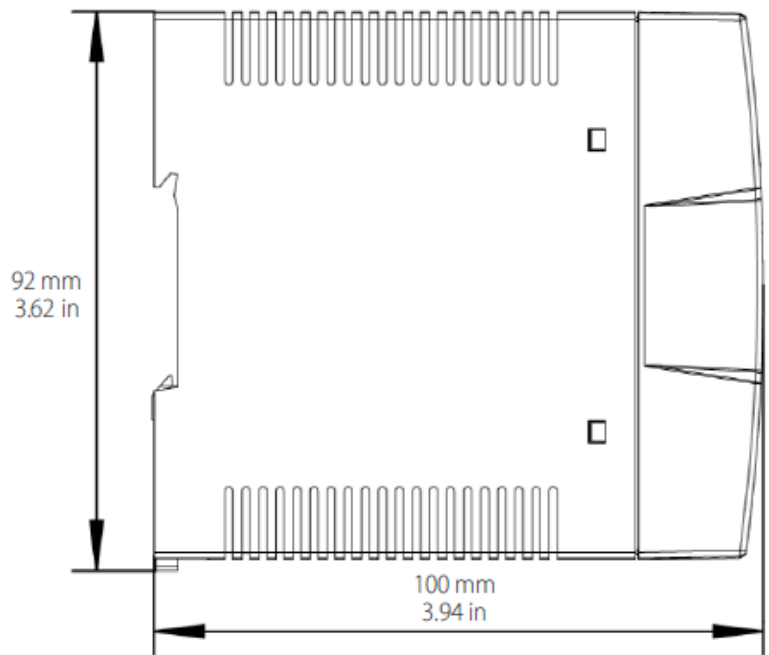
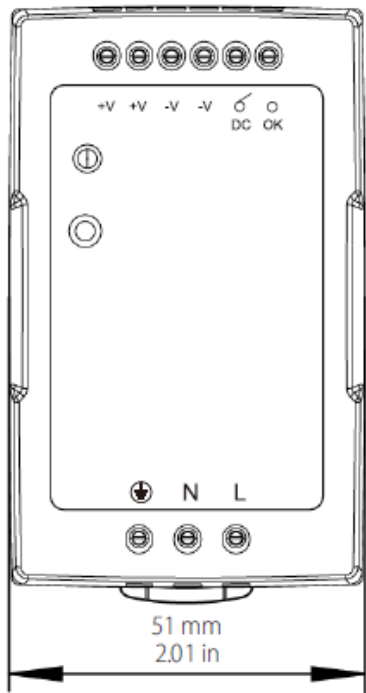
**Mechanical Specifications**

Housing Material	Fully Enclosed Plastic Case
Overall Dimensions	55 x 100 x 92 mm (LxWxH)
Overall Length	55mm / 2.171in
Overall Width	100mm / 3.94in
Overall Height	92mm / 3.62in
Weight	400g

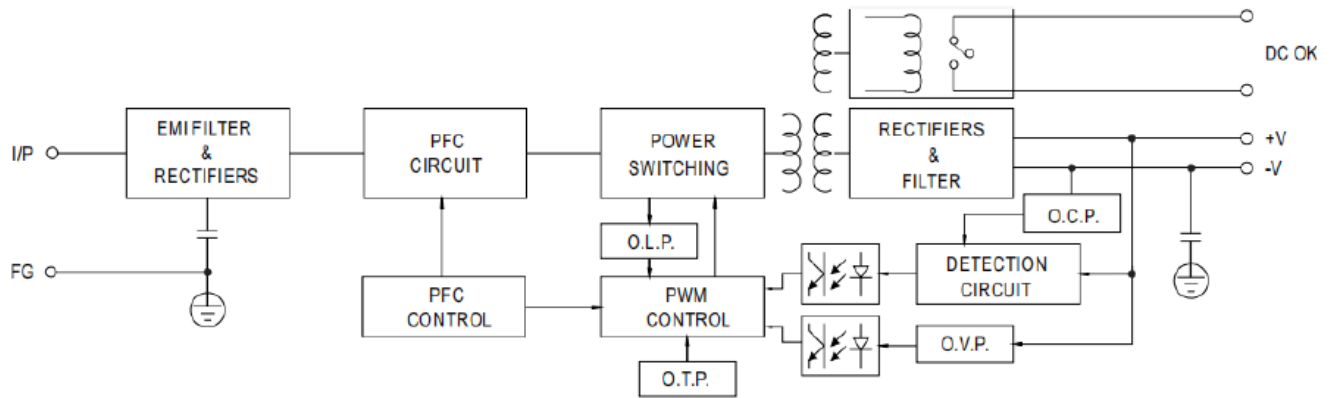
**Packaging**

Carton Size	42 x 32 x 24cm / 21.26 x 16.73 x 9.45in
Master Carton Quantities	40pcs / Carton

**Mechanical Drawing**



**Functional Diagram**

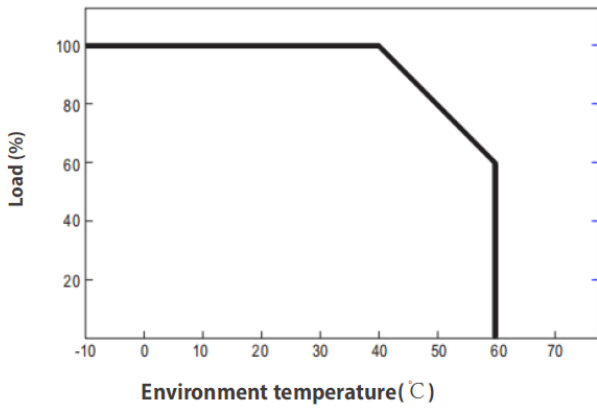


**Application of DC OK Active Signal**

Contact Close	PSU turns on / DC OK.
Contact Open	PSU turns off / DC Fail.
Contact Ratings (max.)	30V/1A resistive load.

**Curves**

**Deduction Curve and Temperature**



**Minus Output and Input Voltage Curves**

