

## Data sheet

Commercial Art.No.: 56.710.9055.0

earth terminal WKFN 10 SL/35

Ground terminal with tension spring connection for mounting on TS 35, nominal cross section: 10 mm<sup>2</sup>, width: 10 mm, color: Green-yellow



Commercial Art.No.	56.710.9055.0
EAN	4015573906488
Order Unit	50

certificates / approvals



## Technical data

### general

nominal cross section	10 mm <sup>2</sup>
color	green/yellow
number of levels	1
number of clamp positions per level	2
width/grid dimension	10 mm
insulating housing	PA666
flammability class of insulation material acc. with UL94	V0
explosion-tested version "Ex e"	yes
mounting method	DIN rail (top hat rail) 35/7.5 mm
terminal blocks for electrical installations	yes

### technical data

rated impulse voltage	8 kV
pollution degree	3
closing plate required	yes
type of insulation material	thermoplastic
length	72.5 mm

### connection data

connection type 1	spring clamp connection
connection type 2	spring clamp connection
minimum cross section solid	1.5 mm <sup>2</sup>

maximum cross section solid	10 mm <sup>2</sup>
minimum cross section fine stranded	0.2 mm <sup>2</sup>
maximum cross section fine stranded	10 mm <sup>2</sup>
minimum cross section stranded	16 mm <sup>2</sup>
maximum cross section stranded	16 mm <sup>2</sup>
wire strip length	15 mm

**technical data UL/CSA**

cross section UL	16-6 AWG
cross section CSA	16-6 AWG

**technical data ATEX**

cross section fine-stranded	0,2 - 10
connectable conductor cross section solid	1,5 - 10
connectable conductor cross section stranded	16

**classification**

ECLASS 11	
ECLASS 8.1	27141141
ETIM 9.0	EC000901
ETIM 8.0	EC000901
ETIM 7.0	EC000901
ETIM 6.0	EC000901
ETIM 5.0	EC000901
ETIM 4.0	EC000901
ETIM 3.0	EC000901

**product compliance**

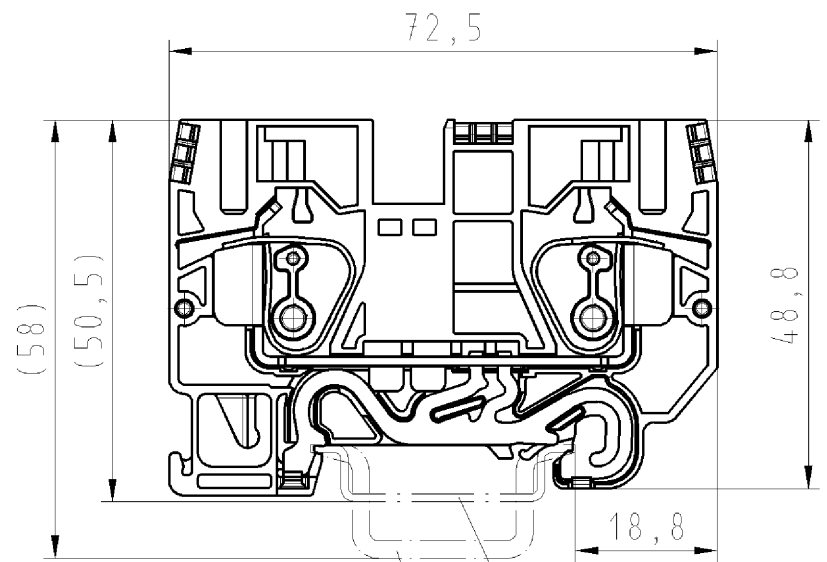
ROHS conformity status	compliant
REACH-SVHC conformity status	compliant

**Accessories**

Commercial Art.No.:	Article-type description:	Description:
Z7.283.8227.0	jumper bar IVBWKF 10- 2	Cross connector, insulated for DIN rail terminal blocks type WKF..., 2 - pole
07.313.0855.0	end plate APFN 10/35	End plate for DIN rail terminal blocks type WKFN 10..., color: grey
07.313.0955.0	partition TWFN 10/35	Partition for DIN rail terminal blocks type WKFN 10..., color: grey
04.242.5053.0	marking tag strips 9705 A / 5 / 10	Marking tag strips for DIN rail terminal blocks type 9700 A / 5..., 10 tags per strip, color: white, unmarked, markable with Wieplot plotter-system
98.300.1000.0	mounting rail TS 35x7,5 PERF 15mm - l:2000mm	Mounting rail TS 35, slotted, size 7,5 mm, length 2 m, material steel. galv. zinc-plated and passivated

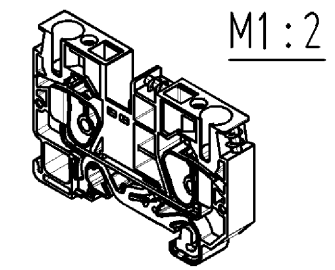
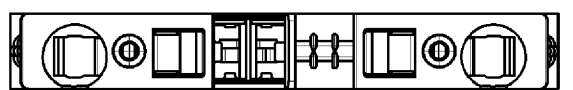
These dimensions will be especially checked at delivery  
 Only inspection dimensions  
 With /E marked dimensions are only valid for internal use

Diese Maße werden bei Abnahme besonders geprüft  
 Ausschließlich Prüfmaße  
 Mit /E gekennzeichnete Maße sind nur für interne Zwecke gültig



Hutschiene EN 60715-35x7,5  
 mounting rail EN 60715-35x7,5

Hutschiene EN 60715-35x15  
 mounting rail EN 60715-35x15



T-Nr. part-no.	Farbe colour	Typ type
56.710.9055.0	grün/gelb green/yellow	WKFN 10 SL/35

Weitere Daten siehe Katalog  
 further data see catalog

Tolerierung nach DIN 7167/Tolerance system acc. to DIN 7167.  
 (This DIN-standard describes the envelope principle. According to the envelope principle the deviations of form and parallelism are limited by the size tolerances).

ja/yes  Stoffverbots- und Deklarationsliste nach UU-TQM-05/03 ist einzuhalten.  
 Conformity with Wieland document UU-TQM-05/03 (list of prohibited / declarable hazardous substances) to be declared!

Freitoleranz nach General tolerance		CAD - Zeichnung, keine manuellen Änderungen CAD - drawing, no manual modifications allowed		1. Verwendung: - First Use:		Blatt: 1 von 1 Sheet: of 1	
/		Werkstoff/Material		2007 Tag/Date Name		Zeichnung Nr./Drawing No.	
/		Maßstab/Scale		gezeichnet drawn		Index	
/		1:1		geprüft checked		56.710.9055.0 01K	
/		Vol. mm <sup>3</sup> Öl./Surf. mm <sup>2</sup>		Nicht gepr. Stand. check		Maße in mm/Dimensions are in mm	
/		Ersatz für/Replacement for: -		Type		Benennung/Title	
/		wieland		Elektrische Verbindungen		SCHUTZLEITERKLEMME	
Index Datum / Blatt Date / Sheet		Änderung/Revision		fasis pro Federkraftanschluß 10mm <sup>2</sup>		earth terminal with spring clamp connection	

Weitergabe sowie Vervielfältigung dieses Dokuments, Verwertung und Mitteilung seines Inhalts sind verboten, soweit nicht ausdrücklich gestattet.  
 The reproduction, distribution and utilization of this document as well as the communication of its contents to others without express authorization is prohibited.

567109055001K\_4\_CADW1032\_Bauer 2007-06-27T08:14:04 1:000 QU-PEM-08/91