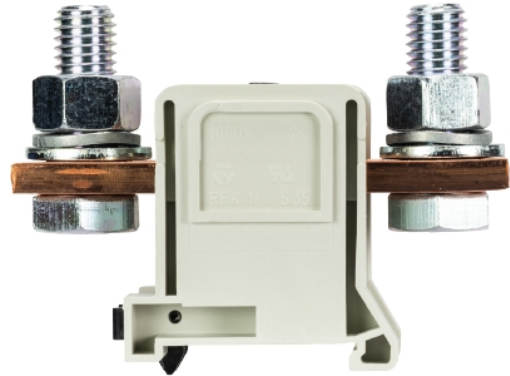


Data sheet

Art.No.: 56.398.1055.0

feed-through terminal RFK 1 / 185 FM S35/V0

Feed-through terminal with Screw connection for mounting on TS 35/7,5 mm, nominal cross section: 185 mm², width: 42 mm, color: grey



Art.No.	56.398.1055.0
EAN	4015573568778
Order Unit	10

certificates / approvals



Technical data

general

nominal cross section	185 mm ²
color	grey
number of levels	1
number of clamp positions per level	2
width/grid dimension	42 mm
insulating housing	PA666
flammability class of insulation material acc. with UL94	V0
explosion-tested version "Ex e"	no
mounting method	DIN rail (top hat rail) 35/7.5 mm
terminal blocks for electrical installations	no

technical data

rated current	353 A
rated voltage	1000 V
rated impulse voltage	8 kV
pollution degree	3
closing plate required	no
type of insulation material	thermoplastic
length	92 mm

connection data

connection type 1	screw connection
-------------------	------------------

connection type 2	screw connection
maximum cross section fine stranded	185 mm ²
maximum cross section stranded	185 mm ²
torque conductor mounting	14 Nm

technical data UL/CSA

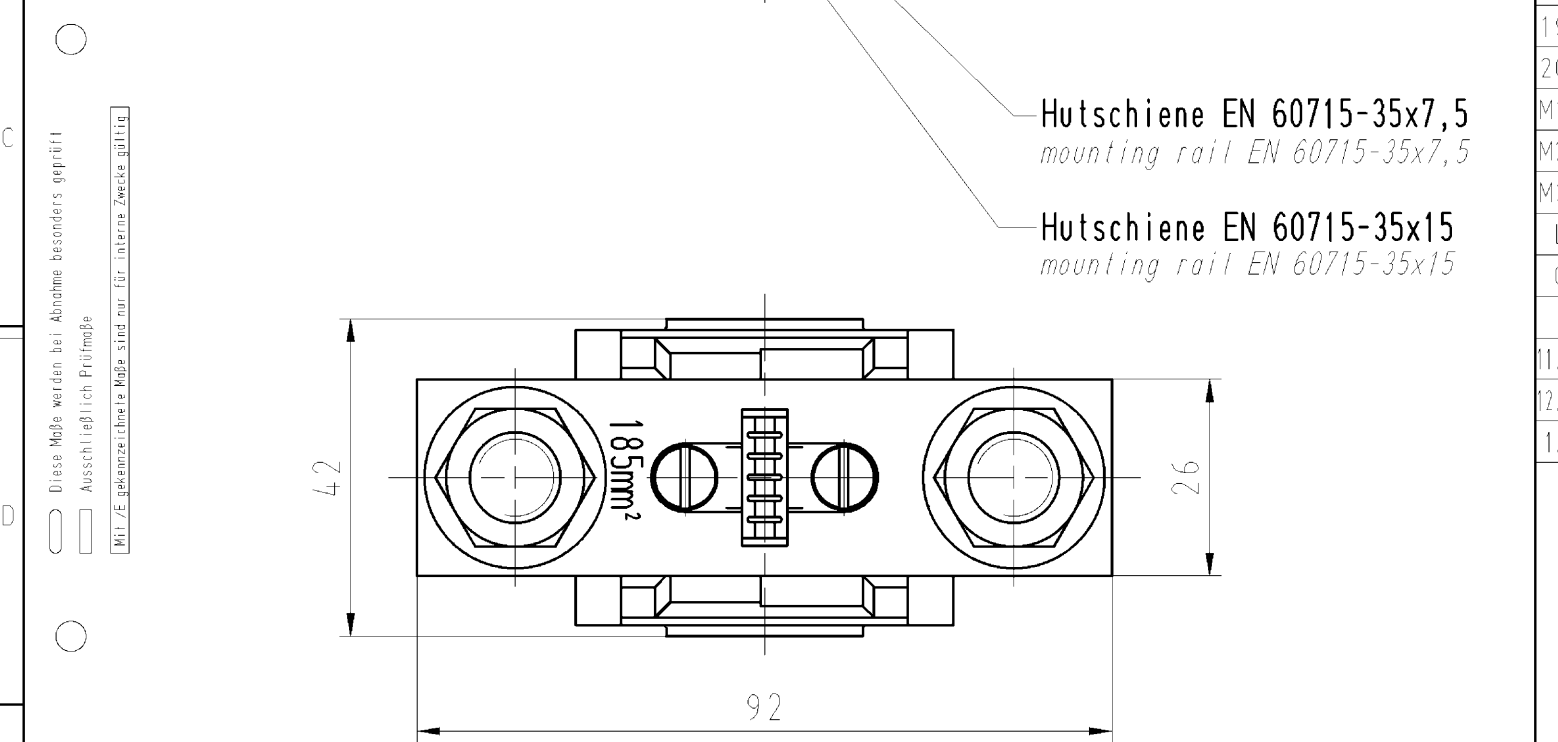
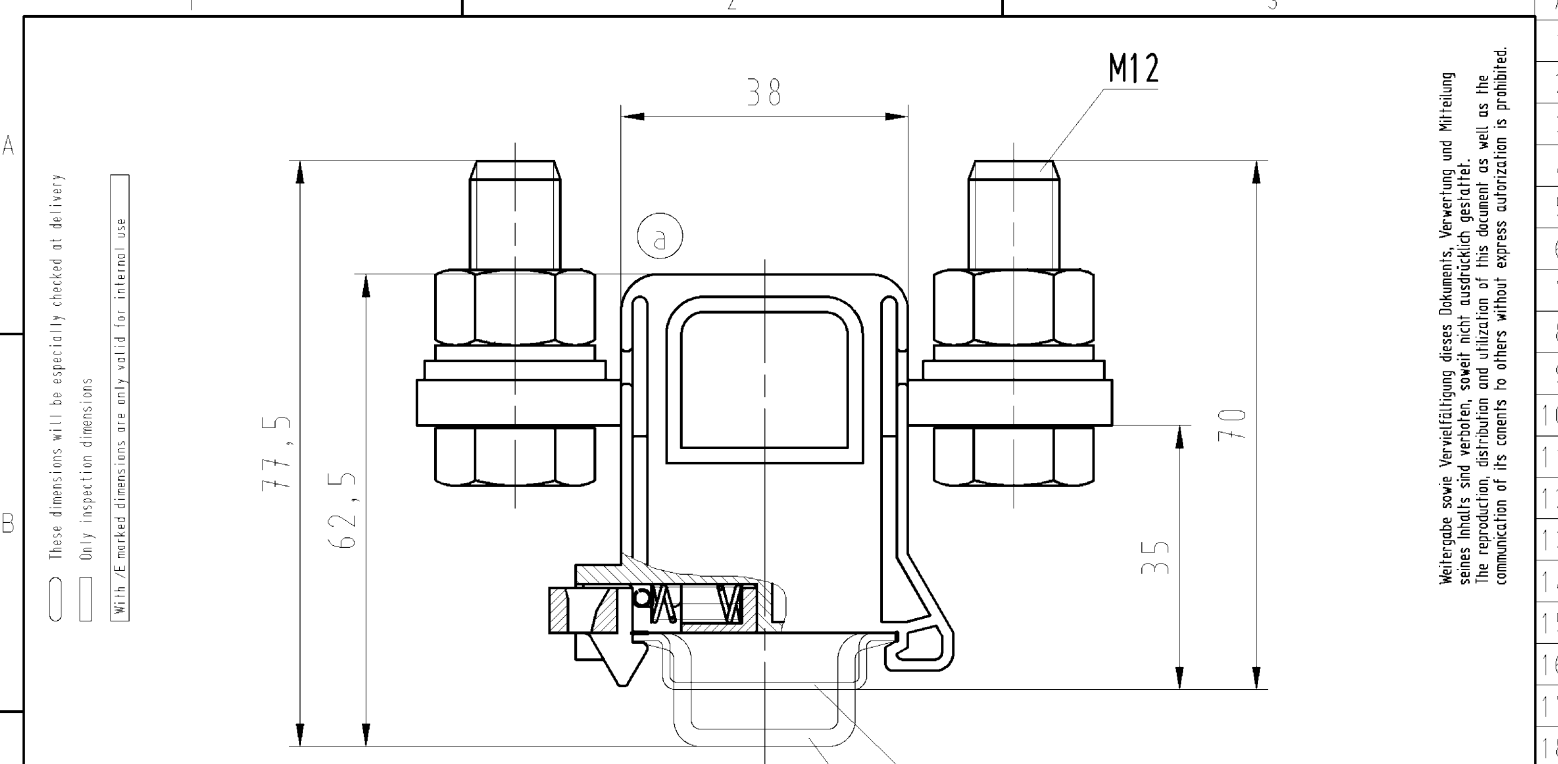
cross section UL	0 AWG-400 kcmil
voltage UL	600 V
current factory wiring	375 A
current field wiring	375 A
cross section CSA	0 AWG-400 kcmil
voltage CSA	600 V
current CSA	375 A

classification

ECLASS 11	
ECLASS 8.1	27141120
ETIM 9.0	EC000897
ETIM 8.0	EC000897
ETIM 7.0	EC000897
ETIM 6.0	EC000897
ETIM 5.0	EC000897
ETIM 4.0	EC000897
ETIM 3.0	EC000897

product compliance

ROHS conformity status	compliant
REACH-SVHC conformity status	compliant



Hutschiene EN 60715-35x7,5
mounting rail EN 60715-35x7,5

Hutschiene EN 60715-35x15
mounting rail EN 60715-35x15

Weitere Daten siehe Katalog
further data see catalog

Tolerierung Size ISO 14405(Ⓒ)/Tolerance system Size ISO 14405(Ⓒ).
(This ISO-standard describes the envelope principle. According to the envelope principle the deviations of form and parallelism are limited by the size tolerances).

ja/yes Stoffverbots- und Deklarationsliste nach UU-TQM-05/03 ist einzuhalten.
Conformity with Wieland document UU-TQM-05/03 (list of prohibited / declarable hazardous substances) to be declared!

Freitoleranz nach DIN ISO 2768 - m

CAD - Zeichnung, keine manuellen Änderungen
CAD - drawing, no manual modifications allowed

1. Verwendung: -
First Use:

Blatt: 1 von 1
Sheet: of 1

	/		Werkstoff/Material	2003	Tag/Date	Name	Zeichnung Nr./Drawing No.	Index
	/			gezeichnet drawn	17.04.	Schneiderb.		
	/			geprüft checked	-	-		
	/	Maßstab/Scale	mm ³ Oil./Surf. mm ²	Normgepr. Stand. check	-	-	56.398.1055.0 01K a	a
	/	1:1		Maße in mm/Dimensions are in mm				
	/	Vol.	Ersatz für/Replacement for: -					

	/		wieland Elektrische Verbindungen	Type	Benennung/Tittle	
a	28.08.2012/			REIHENFLACHKLEMME		
Index	Datum / Blatt Date / Sheet			terminal		
Änderung/Revision		RFK 1/185 FM S35/V0				

Weitergabe sowie Vervielfältigung dieses Dokuments, Verwertung und Mitteilung
 seines Inhalts sind verboten, soweit nicht ausdrücklich gestattet.
 The reproduction, distribution and utilization of this document as well as the
 communication of its contents to others without express authorization is prohibited.

563981055001K_2 CADWZ036_treschan 2012-08-28T14:05:36 1.000