

Data sheet

Art.No.: 46.031.4551.4

connector RST16I3/2S B1 ZT4S L BR

RST® MINI connector, straight, number of poles 2, female, connection type screw connection, rated voltage 50 V / 120 V, rated current 16 A, cable diameter 5 - 10.6 mm, color of coding/ contact carrier signal brown



Art.No.	46.031.4551.4
EAN	4049088295751
Order Unit	1

certificates / approvals



LR

RINA



Technical data

general

rated current	16 A
rated voltage	50 V / 120 V
rated impulse voltage	4 kV
strain relief	yes
pollution degree	3
lockable	self-locking (unlocking by hand)
color of coding/ contact carrier	signal brown
marking of poles	1, 2
color of housing inclusive strain relief	black
RAL-Nummer Codierung/Kontakteinsatz	8002

connection data

cable diameter max.	10.6 mm
cable diameter min.	5 mm
connection cross section solid mm ² max.	2.5 mm ²
connection cross section solid mm ² min.	0.25 mm ²
connection cross section fine stranded mm ² max.	2.5 mm ²
connection cross section fine stranded mm ² min.	0.25 mm ²
terminations per pole	1
sheath strip length	25 mm
wire strip length	8 mm

technical data UL

rated voltage UL	600 V
rated current UL	16 A
connection cross section solid AWG min.	24 AWG

connection cross section solid AWG max.	14 AWG
connection cross section stranded AWG min.	24 AWG
connection cross section stranded AWG max.	14 AWG
degree of protection (NEMA)	4, 4x
UL classification housing	UL-V2
UL classification strain relief	UL-V0

model

model	female
connection type	screw connection
degree of protection (IP)	IP66/68 (3m;2h) /IP69

material

housing material	polyamide
halogen free	yes
contact material	CuZn
fire load	0.151 kWh/St
insulation components continuous temperature	100 °C
surface finish	silver-plated

dimensions

length	71 mm
width	19.9 mm
height	19.9 mm

note

note	RST® terminals with screw clamping allow the connection of conductors without special preparation (without ferrules) according to EN 60999-1.
------	---

classification

ECLASS 11	
ECLASS 8.1	27440605
ETIM 9.0	EC002560
ETIM 8.0	EC002560
ETIM 7.0	EC002560
ETIM 6.0	EC002560
ETIM 5.0	EC002560
ETIM 4.0	EC002560

product compliance

ROHS conformity status	compliant
REACH-SVHC conformity status	compliant

Fits with

Art.No.:	Article/type description:	Description:
----------	---------------------------	--------------

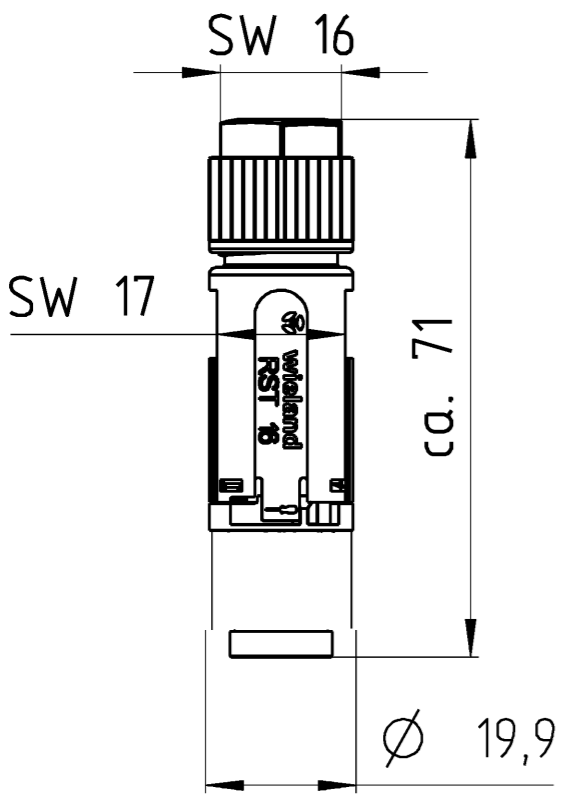
46.032.4551.4	connector RST16I3/2S S1 ZT4S L BR	RST® MINI connector, straight, number of poles 2, male, connection type screw connection, rated voltage 50 V / 120 V, rated current 16 A, cable diameter 5 - 10.6 mm, color of coding/ contact carrier signal brown
46.032.5051.4	device connector RST16I3/2S S1 M02 L BR	RST® MINI device connector, standard, straight, M16, number of poles 2, model male, connection type screw connection, rated voltage 50 V / 120 V, rated current 16 A, color of coding/ contact carrier signal brown
46.422.1002.4	cable assembly RST16I2KSBS 15P L10BR	RST® MINI connecting cable, female - male, number of poles 2, rated voltage 50 V / 120 V, rated current 16 A, cable type H05VV-F, fire class Eca, total length 1 m, nominal cross section conductor 1.5 mm ² , color of coding/ contact carrier signal brown
46.030.0151.4	distributor RST16I2B 3P1 FGVGL BR	RST® MINI distributor, parallel connection, with fastening option, number of poles 2, rated voltage 50 V / 120 V, rated current 16 A, number of inputs 1, number of outputs 3, color of coding/ contact carrier signal brown
46.030.1354.4	distributor RST16I2V 2R1 TGVGL BR	RST® MINI distributor, series connection, with fastening option to 06.562.5853.1, number of poles 2, rated voltage 50 V / 120 V, rated current 16 A, number of inputs 1, number of outputs 2, color of coding/ contact carrier signal brown
46.032.M051.4	device connector RST16I3/2 S D03 LMBR	RST® MINI device connector, modular, straight, M20, number of poles 2, model male, connection type spring clamp connection, rated voltage 50 V / 120 V, rated current 16 A, color of coding/ contact carrier signal brown
46.030.1251.4	distributor RST 16I2V 2P1 TGVGL BR	RST® MINI distributor, parallel connection, with fastening option to 06.562.5853.0 / 06.562.5853.1, number of poles 2, rated voltage 50 V / 120 V, rated current 16 A, number of inputs 1, number of outputs 2, color of coding/ contact carrier signal brown

A Weitergabe sowie Vervielfältigung dieses Dokuments, Verwertung und Mitteilung seines Inhalts sind verboten, soweit nicht ausdrücklich gestattet. The reproduction, distribution and utilization of this document as well as the communication of its contents to others without express authorization is prohibited.

B These dimensions will be especially checked at delivery Only inspection dimensions With /E marked dimensions are only valid for internal use

C Diese Maße werden bei Abnahme besonders geprüft Ausschließlich Prüfmaße Mit /E gekennzeichnete Maße sind nur für interne Zwecke gültig

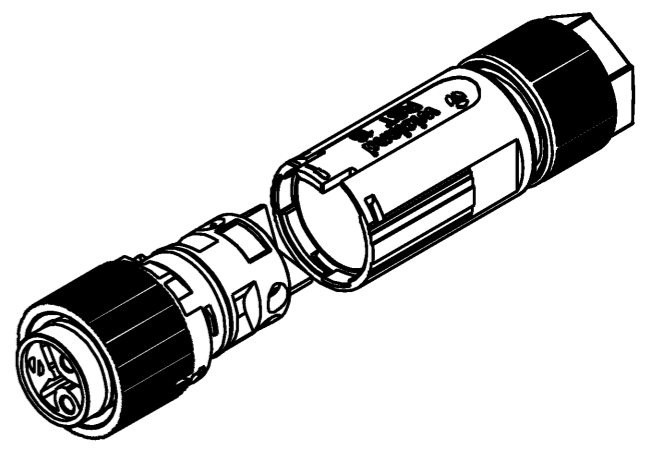
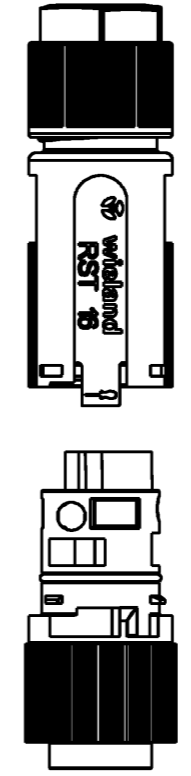
F



Kodierung/
Coding

- C1
- C2
- C3
- C4
- C5

Auslieferungszustand/
delivery condition



Pol nicht montiert
pole not mounted

46.031.4551.6	RST1613	S B1 ZT4S A TB	C5	türkisblau /turquoise blue
46.031.4554.9	RST1613	S B1 ZT4S H BL	C4	lichtblau /light blue
46.031.4551.4	RST1613	S B1 ZT4S L BR	C3	signalbraun /signal brown
46.031.4556.7	RST1613	S B1 ZT4S GN	C2	laubgrün /leaf green
46.031.4554.1	RST1613	S B1 ZT4 SW	C1	schwarz /black
46.031.4554.0	RST1613	S B1 ZT4 GL	C1	lichtgrau /light grey
Bestellnummer Order number	Type		Kodierung Coding	
Weitere Daten siehe KATALOG oder eKatalog. Additional data see CATALOG or eCatalog			www.wieland-electric.com eshop.wieland-electric.com	

Tolerierung Size ISO 14405 (E) / Tolerance system Size ISO 14405 (E). (This ISO-standard describes the envelope principle. According to the envelope principle the deviations of form and parallelism are limited by the size tolerances).		ja/yes <input checked="" type="checkbox"/> Stoffverbots- und Deklarationsliste nach WN 5020.010 ist einzuhalten. Conformity with Wieland document WN 5020.010 e (list of prohibited / declarable hazardous substances) to be declared!	
Freitoleranz nach General tolerance	CAD - Zeichnung, keine manuellen Änderungen CAD - drawing, no manual modifications allowed	1. Verwendung: First Use:	Blatt: Sheet: 1 von 1 of 1
	Werkstoff / Material	Tag/Date	Name
		gezeichnet drawn 11.04.2016	Ritter
	Maßstab / Scale	geprüft checked	
	1:1	Normgepr. Stand. check	
	Vol. mm ³ Dfl./Srf. mm ²	Ersatz für / Replacement for:	
		Type	Benennung/Title
b	09.05.2019 / Datum / Blatt Date / Sheet	BUCHSENTEIL mit Zugentlastung 2polig female with strain relief 2-pole	
Änderung / Revision	www.wieland-electric.com		