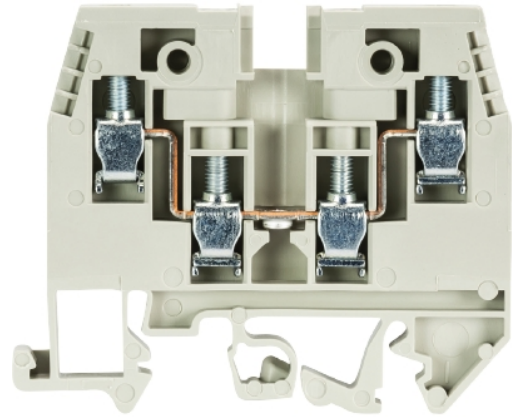


Data sheet

Art.No.: 57.504.5155.0

duo-modular terminal WK 4/D2/2U/V0

Duo feed-through terminal block with screw connection for mounting on TS 35 and TS 32, nominal cross section 4 mm², width 6 mm, color gray



Art.No.	57.504.5155.0
EAN	4015573504097
Order Unit	100

certificates / approvals



CAN-Ex



ATEX



USA-Ex

Technical data

general

nominal cross section	4 mm ²
color	grey
number of levels	1
number of clamp positions per level	4
width/grid dimension	6 mm
insulating housing	PA666
flammability class of insulation material acc. with UL94	V0
explosion-tested version "Ex e"	no
mounting method	DIN rail (top hat rail)/G-rail
terminal blocks for electrical installations	yes

technical data

rated current	32 A
rated voltage	800 V
rated impulse voltage	6 kV
pollution degree	3
closing plate required	yes
type of insulation material	thermoplastic
length	60 mm

connection data

connection type 1	screw connection
-------------------	------------------

connection type 2	screw connection
minimum cross section solid	0.5 mm ²
maximum cross section solid	6 mm ²
minimum cross section fine stranded	0.5 mm ²
maximum cross section fine stranded	4 mm ²
wire strip length	9 mm
torque conductor mounting	0.5 Nm

technical data UL/CSA

cross section UL	22-10 AWG
voltage UL	600 V
current factory wiring	30 A
current field wiring	30 A
cross section CSA	20-10 AWG
voltage CSA	600 V
current CSA	30 A

classification

ECLASS 11	
ECLASS 8.1	27141120
ETIM 9.0	EC000897
ETIM 8.0	EC000897
ETIM 7.0	EC000897
ETIM 6.0	EC000897
ETIM 5.0	EC000897
ETIM 4.0	EC000897
ETIM 3.0	EC000897

product compliance

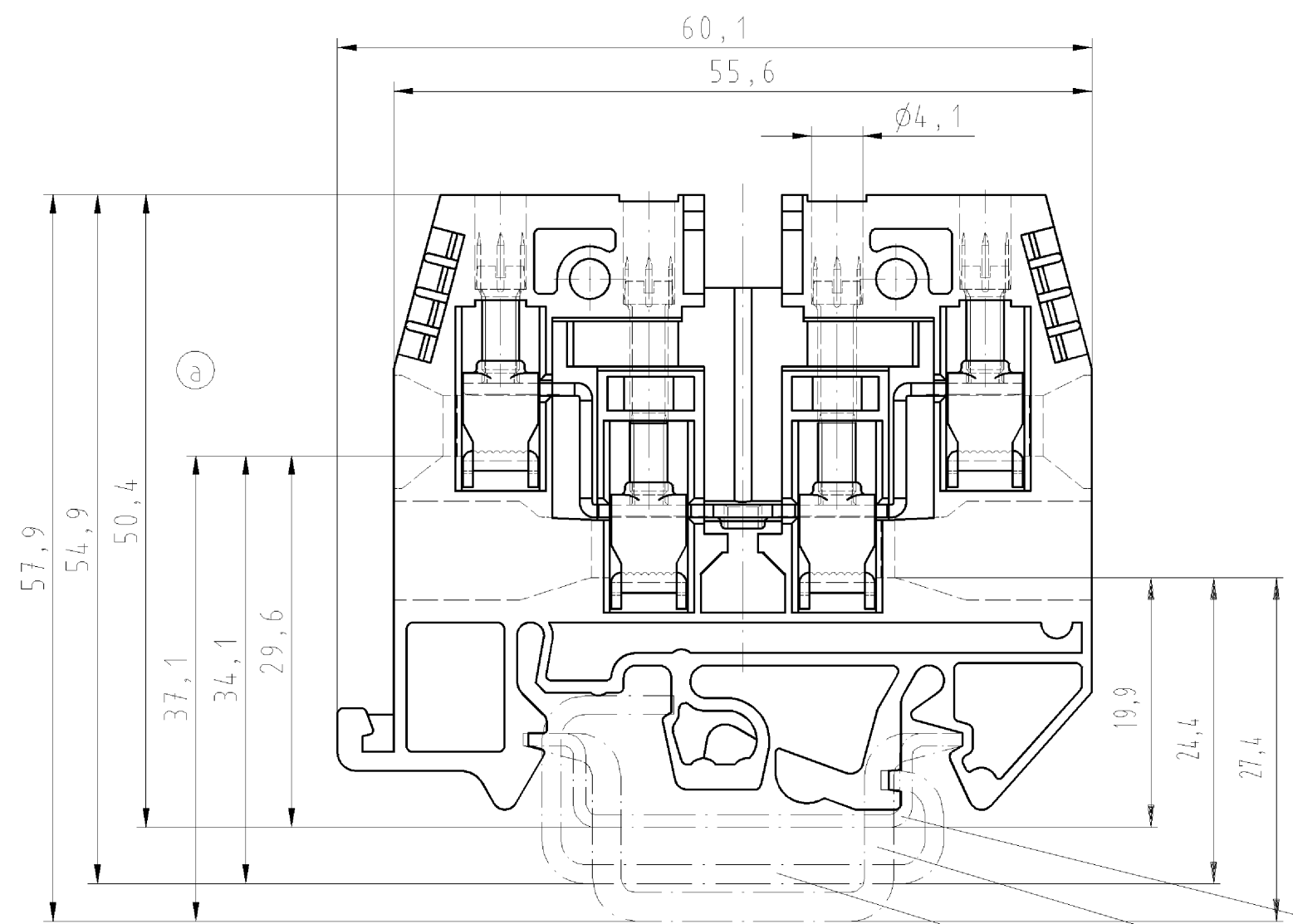
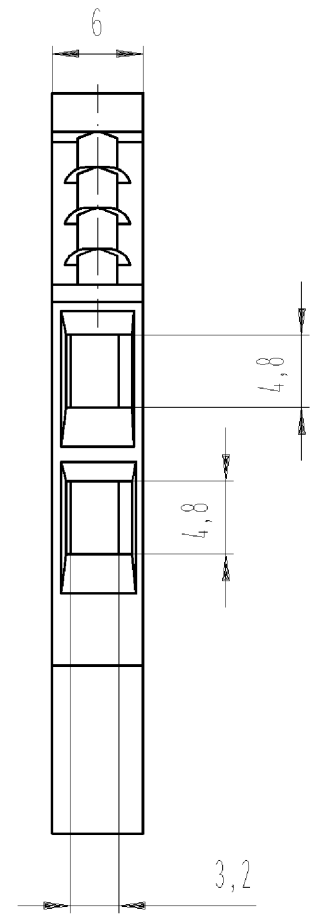
ROHS conformity status	compliant
REACH-SVHC conformity status	compliant

Accessories

Art.No.:	Article/type description:	Description:
Z7.256.2627.0	jumper bar IVK WK 4/DEU- 6	Jumper comp, insulated for DIN rail terminal blocks type WK ..., 6 - pole
07.311.6355.0	end plate AP 4/D /V0	End plate for DIN rail terminal blocks type WK 4/D..., color: grey
07.311.6355.6	end plate AP 4/D BL /V0	End plate for DIN rail terminal blocks type WK 4/D..., color: blue
Z7.281.7227.0	insulated jumper bar IVB WK 4/D..- 2	Cross connector, insulated for DIN rail terminal blocks type WK ..., 2 - pole
Z7.281.7327.0	insulated jumper bar IVB WK 4/D..- 3	Cross connector, insulated for DIN rail terminal blocks type WK ..., 3 - pole
Z7.281.7627.0	insulated jumper bar IVB WK 4/D..- 6	Cross connector, insulated for DIN rail terminal blocks type WK ..., 6 - pole
Z7.281.8227.0	insulated jumper bar IVB WK 4/D..-12	Cross connector, insulated for DIN rail terminal blocks type WK ..., 12 - pole
98.300.1000.0	mounting rail TS 35x7,5 PERF 15mm - l:2000mm	Mounting rail TS 35, slotted, size 7,5 mm, length 2 m, material steel. galv. zinc-plated and passivated

These dimensions will be especially checked at delivery
 Only inspection dimensions
 With /E marked dimensions are only valid for internal use

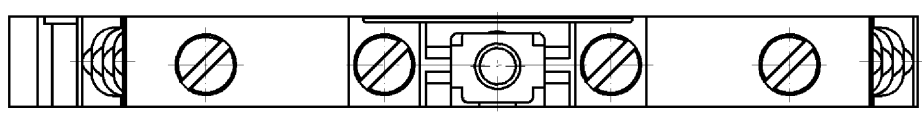
Diese Maße werden bei Abnahme besonders geprüft
 Ausschließlich Prüfmaße
 Mit /E gekennzeichnete Maße sind nur für interne Zwecke gültig



Hutschiene EN 60715-35x7,5
 mounting rail EN 60715-35x7,5

Hutschiene EN 60715-35x15
 mounting rail EN 60715-35x15

G-Schiene EN 60715-G32
 G-rail EN 60715-G32



Weitere Daten siehe Katalog
 further data see catalog

* = spezielle Verpackung
 specific package

Teile-Nr. Part-number	Farbe colour	Typ type
57.504.5155.0	grau/grey	WK4/D 2/2 U /VO
57.504.5155.6	blau/blue	WK4/D 2/2 U BLAU /VO
* 57.504.5195.0	grau/grey	WK4/D 2/2 U /VO
× 57.504.5195.6	blau/blue	WK4/D 2/2 U BLAU /VO

Tolerierung nach DIN 7167/Tolerance system acc. to DIN 7167. (This DIN-standard describes the envelope principle. According to the envelope principle the deviations of form and parallelism are limited by the size tolerances).		ja/yes <input checked="" type="checkbox"/> Stoffverbots- und Deklarationsliste nach UU-TQM-05/03 ist einzuhalten. Conformity with Wieland document UU-TQM-05/03 (list of prohibited / declarable hazardous substances) to be declared!	
Freitoleranz nach General tolerance		CAD - Zeichnung, keine manuellen Änderungen CAD - drawing, no manual modifications allowed	1. Verwendung: - First Use:
Blatt: 1 von 1 Sheet: 1 of 1		Zeichnung Nr./Drawing No.	
T 57.504.5155.0 01K a		Index	
Maße in mm/Dimensions are in mm			
Werkstoff/Material		2004	Tag/Date
gezeichnet drawn		11.10.	Schmitt J.
geprüft checked		-	-
Nicht gepr. Stand. check		-	-
Vol.		mm ³ Öl./Surf.	mm ² Ersatz für/Replacement for: -
a 25.01.2007/		Type	
Index Datum / Blatt Date / Sheet		Benennung/Title	
Änderung/Revision		DUO_DURCHGANGSKLEMME	
wieland		Elektische Verbindungen	
		Duo-modular terminal	

Weitergabe sowie Vervielfältigung dieses Dokuments, Verwertung und Mitteilung seines Inhalts sind verboten, soweit nicht ausdrücklich gestattet.
 The reproduction, distribution and utilization of this document as well as the communication of its contents to others without express authorization is prohibited.

575045155001K_4_CADW1043.dwg 2007-01-26T10:27:06 1.000