



Test elements for steady-light LED elements  
LPXT

Product designation

Product type designation

**Operations**

Electrical life hours 100000

**Mechanical features**

Tightening torque for terminals max Nm 1

Conductor section

AWG/kcmil conductor section max 12

IEC max mm<sup>2</sup> 1 or 2 / 2.5

Mounting adapter LPXAU120

Weight g 11

**Ambient conditions**

Temperature

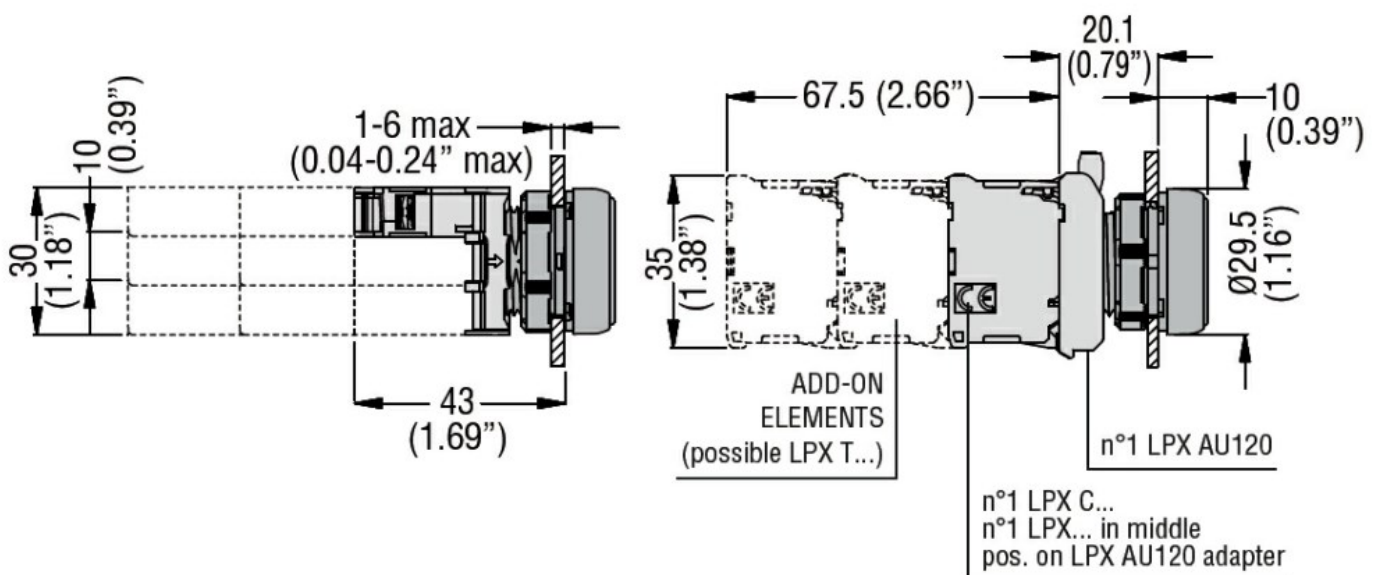
Operating temperature

min °C -25  
max °C +70

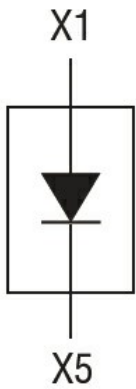
Storage temperature

min °C -40  
max °C +85

**Dimensions**



**Wiring diagrams**



### Certifications and compliance

#### Compliance

CSA C22.2 n° 14  
IEC/EN/BS 60947-1  
IEC/EN/BS 60947-5-1  
UL508

#### Certificates

CCC  
cULus  
EAC  
RINA

### ETIM classification

ETIM 8.0

EC002498 -  
Accessories/spare  
parts for low-  
voltage switch  
technology