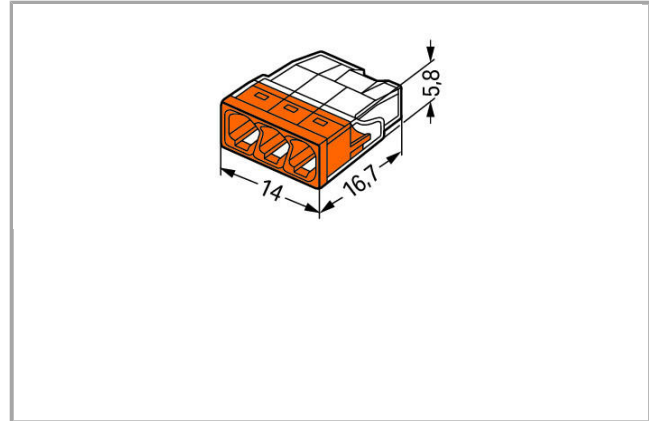


## Data sheet | Item number: 2273-203

COMPACT splicing connector; for solid conductors; max. 2.5 mm<sup>2</sup>; 3-conductor; transparent housing; orange cover; Surrounding air temperature: max 60°C (T60); 2,50 mm<sup>2</sup>; transparent

[www.wago.com/2273-203](http://www.wago.com/2273-203)



RoHS  Compliant 

### Item description

Advantages:

- Convenient wiring via extremely compact design
- Push-in termination of up to eight solid conductors
- Cross section range: 0.5 ... 2.5 mm<sup>2</sup> (18 ... 14 AWG)
- Any combination of conductor sizes is possible
- PUSH WIRE® connection terminates solid ("s") copper conductors

### Note:

#### Terminating Aluminum Conductors

WAGO spring clamp terminal blocks are suitable for solid aluminum conductors up to 4 mm<sup>2</sup>/12 AWG if WAGO "Alu-Plus" Contact Paste is used for termination.

"Alu-Plus" Contact Paste Advantages:

- Automatically destroys the oxide film during clamping.
- Prevents fresh oxidation at the clamping point.
- Prevents electrolytic corrosion between aluminum and copper conductors (in the same terminal block).
- Provides long-term protection against corrosion.



Using terminal blocks with PUSH WIRE® Spring Pressure Connection Technology, **aluminum conductors must first be cleaned with a blade and then immediately be inserted into the clamping units filled with "Alu-Plus" Contact Paste.**

It is also possible to apply WAGO "Alu-Plus" **additionally** on the whole surface of the aluminum conductor before termination.

Please note that the nominal currents must be adapted to the reduced conductivity of the aluminum conductors:

2.5 mm<sup>2</sup> (14 AWG) = 16 A

4 mm<sup>2</sup> (12 AWG) = 22 A

**Safety information 1:**

In grounded power lines

## Data

### Electrical data

#### Ratings per IEC/EN 60664-1

|                                |       |
|--------------------------------|-------|
| Rated voltage (II / 2)         | 450 V |
| Rated impulse voltage (II / 2) | 4 kV  |
| Rated current                  | 24 A  |

### Connection data

|                                   |   |
|-----------------------------------|---|
| Connection technology             | PUSH WIRE®                                  |
| Actuation type                    | Push-in                                     |
| Connectable conductor materials   | Copper<br>Aluminum                          |
| Solid conductor                   | 0.5 ... 2.5 mm <sup>2</sup> / 20 ... 14 AWG |
| Strip length                      | 11 mm / 0.43 inch                           |
| Total number of connection points | 3   |
| Total number of potentials        | 1   |
| Type of wiring                    | Side-entry wiring                           |
| Leiterquerschnitte eindrätig      | 0.5 mm <sup>2</sup>                         |

### Geometrical Data

|        |                      |
|--------|----------------------|
| Width  | 14 mm / 0.551 inch   |
| Height | 5.8 mm / 0.228 inch  |
| Depth  | 16.7 mm / 0.657 inch |

### Material Data

|                             |             |
|-----------------------------|-------------|
| Color                       | transparent |
| Cover color                 | orange      |
| Flammability class per UL94 | V2          |

|           |          |
|-----------|----------|
| Fire load | 0.019 MJ |
| Weight    | 1.017 g  |

### Environmental Requirements


|   |        |
|---|--------|
| Surrounding air (operating) temperature | 60 °C  |
| Continuous operating temperature        | 105 °C |
| T-Marking per EN 60998                  | T60    |

### Commercial data




|                   |                     |
|-------------------|---------------------|
| Product Group     | 7 (Push Wire Conn.) |
| Country of origin | DE                  |
| GTIN              | 4050821027850       |

### Approvals / Certificates

#### Country specific Approvals

| Logo  | Approval                                     | Additional Approval Text | Certificate name |
|---|--|--------------------------|------------------|
|  | VDE<br>VDE Prüf- und Zertifizierungsinstitut | EN 60998                 | 40029794         |

#### Ship Approvals

| Logo  | Approval   | Additional Approval Text | Certificate name         |
|---|--|--------------------------|--------------------------|
|   | ABS<br>American Bureau of Shipping               | -                        | 15-<br>HG1419918-<br>PDA |
|   | DNV GL<br>Det Norske Veritas, Germanischer Lloyd | EN 60998                 | TAE000015T               |
|  | LR<br>Lloyds Register                            | EN 60998                 | 04/20013<br>(E8)         |

### Compatible products

#### General accessories



Item no.: 2273-500

Mounting carrier; for single- and double-row con.; 2273 Series; for DIN-35 rail mounting/screw mounting; orange

[www.wago.com/2273-500](http://www.wago.com/2273-500)



Item no.: 249-130

Syringe; Contents: 20 ml Alu-Plus contact paste

[www.wago.com/249-130](http://www.wago.com/249-130)

## Downloads

### Documentation

#### Additional Information

|                        |             |               |          |
|------------------------|-------------|---------------|----------|
| Technical explanations | Apr 3, 2019 | pdf<br>2.1 MB | Download |
|------------------------|-------------|---------------|----------|

### CAD/CAE - Smart Data

#### CAD data

|                      |     |          |
|----------------------|-----|----------|
| 3D Download 2273-203 | URL | Download |
|----------------------|-----|----------|

#### EPLAN

|                   |          |
|-------------------|----------|
| EPLAN Data Portal | Download |
|-------------------|----------|

#### WSCAD

|                |          |
|----------------|----------|
| WSCAD Universe | Download |
|----------------|----------|

Subject to changes.