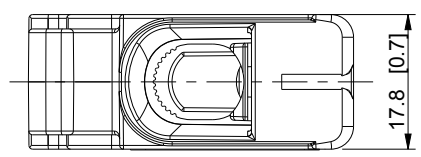
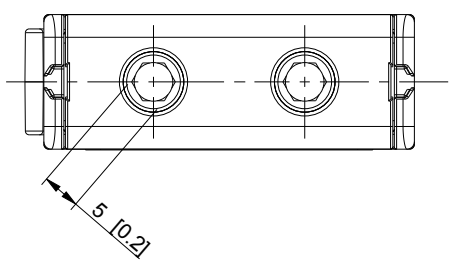
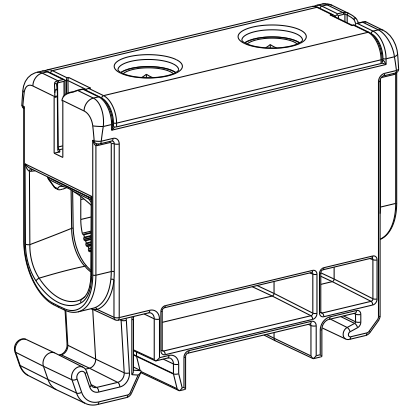
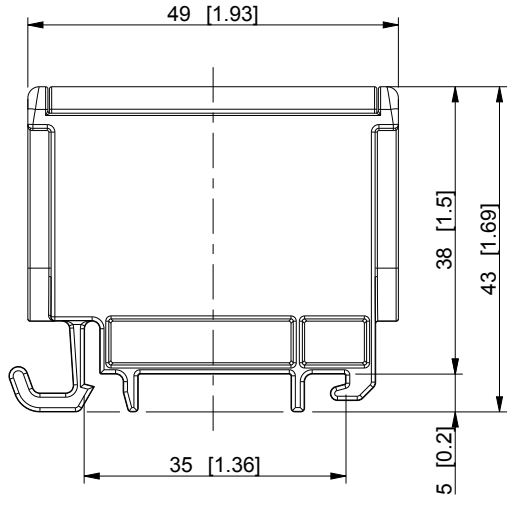

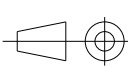


ID	Description	Date	By	Appr.
A		18.5.2015	KA	



Dimensions in mm [inches]

model KE61_PROCUS_PART drawing PROCUS_KE61_drawing	Material:		Color: -	Weight (kg): 0.028
	 Ensto Finland Oy Ensto Industrial Solutions			Replaces:
				Replaced:
	Scale	Date	18.5.2015	Drw No: A
	1:1	By	KA	Ref: -
	-	Checked		Code: KE61
	-	Ctrl		Sheet No:

### Universal terminal block