



wieland



## Data sheet

Commercial Art.No.: 57.504.2055.0

Knife disconnect terminal WK 4 TKM/U /V0

Knife disconnect terminal block with screw connection for mounting on TS 35 and TS 32, nominal cross section 4 mm<sup>2</sup>, width 6 mm, color gray

Available from the UK's premier control gear distributor,  
iLECSYS Ltd, 01844 397300  
sales@ilecsys.co.uk

NB: This terminal is being replaced during 2020 with 58.504.2055.0

Commercial Art.No.	57.504.2055.0
EAN	4015573499683
Order Unit	100

Certificates / Approvals



## Technical data

### General

Nominal cross section	4 mm <sup>2</sup>
Colour	Grey
Number of levels	1
Number of clamp positions per level	2
Width/grid dimension	6 mm
Insulating housing	PA666
Inflammability class of insulation material acc. with UL94	V0
Mounting method	DIN rail (top hat rail)/G-rail
Terminal blocks for electrical installations	No

### Technical data

Rated current	20 A
Rated voltage	800 V
Rated impulse voltage	6 kV
Pollution degree	3
Closing plate required	Yes
Type of insulation material	Thermoplastic
Length	48 mm

### Connection Data

Connection type 1	Screw connection
Connection type 2	Screw connection
Minimum cross section solid	0.5 mm <sup>2</sup>
Maximum cross section solid	6 mm <sup>2</sup>
Minimum cross section fine stranded	0.5 mm <sup>2</sup>
Maximum cross section fine stranded	4 mm <sup>2</sup>
Wire strip length	9 mm

Torque conductor mounting	0.5 Nm
---------------------------	--------

**Technical Data UL/CSA**

Cross section UL	22-10 AWG
Voltage UL	600 V
Current factory wiring	20 A
Current field wiring	20 A
Cross section CSA	22-10 AWG
Voltage CSA	600 V
Current CSA	20 A

**Note**

Integrated test socket	No
------------------------	----

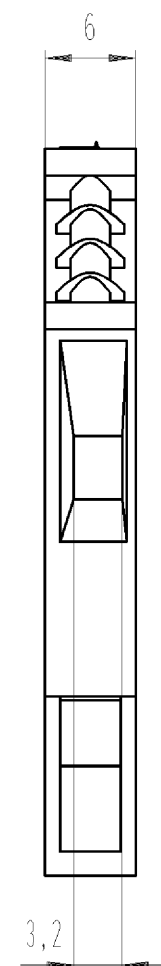
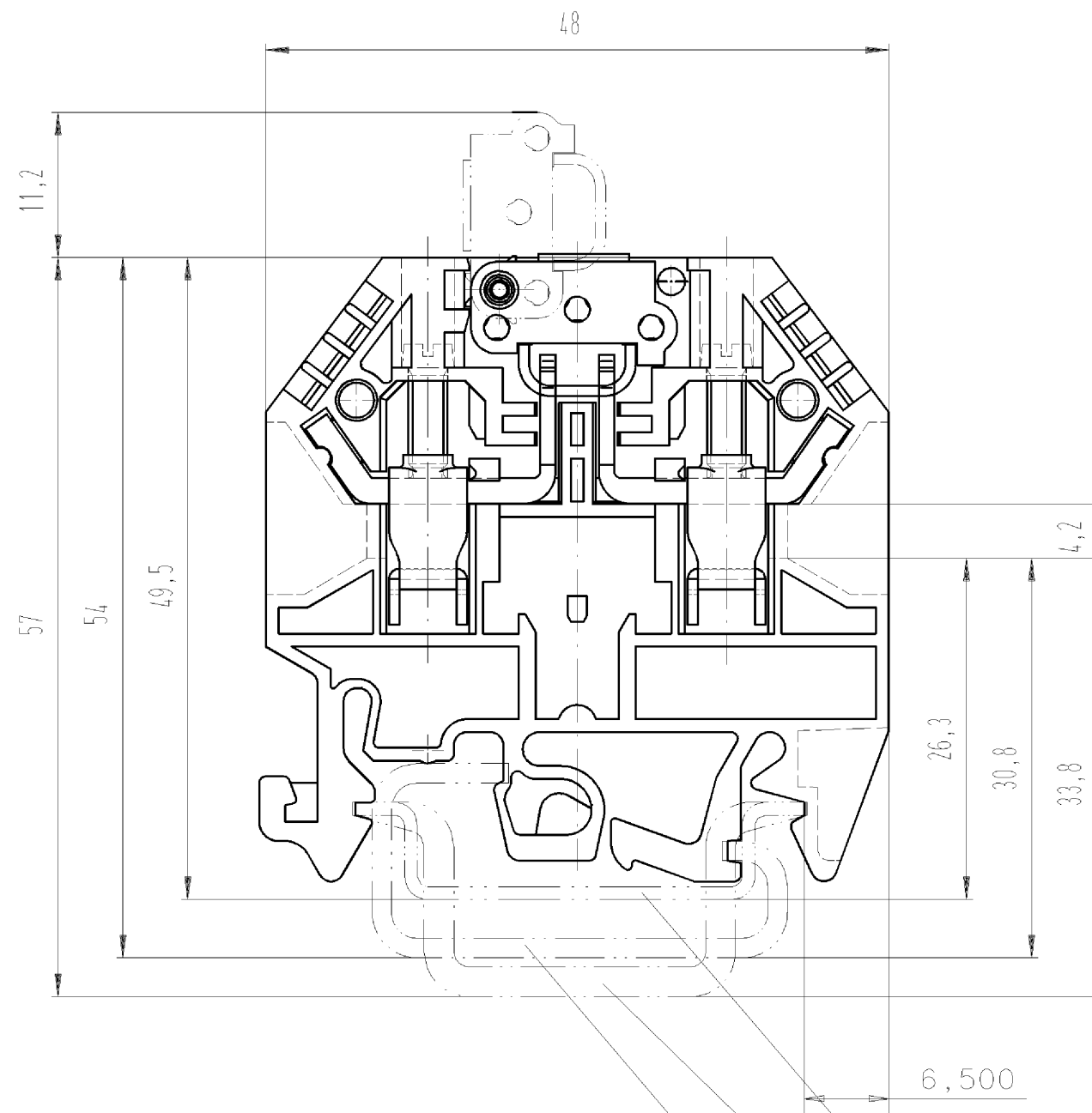
**Classification**

ECLASS 8.1	27141126
ETIM 7.0	EC000902
ETIM 6.0	EC000902
ETIM 5.0	EC000902
ETIM 4.0	EC000902
ETIM 3.0	EC000902

**Accessories**

Commercial Art.No.:	Article-type description:	Description:
Z7.255.4227.0	Jumper bar IVB 1 WK4.. - 2	Jumper comp, insulated for DIN rail terminal blocks type WK ..., 2 - pole
Z7.255.4327.0	Jumper bar IVB 1 WK4.. - 3	Jumper comp, insulated for DIN rail terminal blocks type WK ..., 3 - pole
Z7.255.4427.0	Jumper bar IVB 1 WK4.. - 4	Jumper comp, insulated for DIN rail terminal blocks type WK ..., 4 - pole
Z7.255.4527.0	Jumper bar IVB 1 WK4.. - 5	Jumper comp, insulated for DIN rail terminal blocks type WK ..., 5 - pole
Z7.255.4627.0	Jumper bar IVB 1 WK4.. - 6	Jumper comp, insulated for DIN rail terminal blocks type WK ..., 6 - pole
98.190.0000.0	Mounting rail TS 32 UNPERF - l:2000mm	Mounting rail G 32, unslotted, Höhe 5,5 mm, length 2 m, material steel. galv. zinc-plated and dichromated
98.190.1000.0	Mounting rail TS 32 PERF 15mm - l:2000mm	Mounting rail G 32, slotted, Höhe 15 mm, length 2 m, material steel. galv. zinc-plated and dichromated
98.210.0000.0	Mounting rail TS 32 UNPERF AL - l:2000mm	Mounting rail G 32, unslotted, Höhe 15 mm, length 2 m, material Aluminium
98.220.0000.0	Mounting rail TS 32 UNPERF CU - l:2000mm	Mounting rail G 32, unslotted, Höhe 15 mm, length 2 m, material E copper
98.300.0000.0	Mounting rail TS 35x7,5 UNPERF - l:2000mm	Mounting rail TS 35, unslotted, size 7,5 mm, length 2 m, material steel. galv. zinc-plated and dichromated
98.300.1000.0	Mounting rail TS 35x7,5 PERF 15mm - l:2000mm	Mounting rail TS 35, slotted, size 7,5 mm, length 2 m, material steel. galv. zinc-plated and dichromated
98.300.1900.0	Mounting rail TS 35x7,5 PERF 25mm - l:2000mm	Mounting rail TS 35, slotted, size 7,5 mm, length 2 m, material steel. galv. zinc-plated and dichromated
98.360.0000.0	Mounting rail TS 35x15-2,3 UNPERF - l:2000mm	Mounting rail TS 35, unslotted, size 15 mm, length 2 m, material steel. galv. zinc-plated and dichromated

98.360.0004.0	Mounting rail TS 35x15-2,3 UNPERF FZN - l:2000mm	Mounting rail TS 35, unslotted, size 15 mm, length 2 m, material steel, hot galvanized
98.370.0000.0	Mounting rail TS 35x15 UNPERF - l:2000mm	Mounting rail TS 35, unslotted, size 15 mm, length 2 m, material steel. galv. zinc-plated and dichromated
98.370.1000.0	Mounting rail TS 35x15 PERF 15mm - l:2000mm	Mounting rail TS 35, slotted, size 15 mm, length 2 m, material steel. galv. zinc-plated and dichromated
98.380.0000.0	Mounting rail TS 35x15-2,3 UNPERF CU - l:2000mm	Mounting rail TS 35, unslotted, size 15 mm, length 2 m, material E copper
07.311.6155.0	End plate AP 4 TK /V0	End plate for DIN rail terminal blocks type WK 4 TK..., color: grey
07.311.6155.6	End plate AP 4 TK BL /V0	End plate for DIN rail terminal blocks type WK 4 TK..., color: blue
07.311.8155.0	Partition TW 4 TK... /V0	Partition for DIN rail terminal blocks type WK 4 TK..., color: grey
Z5.522.7453.0	End bracket 9708 / S35	End clamp for mounting rail TS 35
Z5.522.8553.0	End bracket 9708 / 2 S 35	End clamp for mounting rail TS 35
Z5.523.5653.0	End bracket WE 2/U	End clamp for mounting rail TS 35 and TS 32
Z5.523.5753.0	End bracket WE 1/U	End clamp for mounting rail TS 35 and TS 32
Z5.523.9353.0	End bracket WEF 1/35	End clamp for mounting rail TS 35



- Hutschiene EN 60715-35x7,5  
mountail rail EN 60715-35x7,5
- Hutschiene EN 60715-35x15  
mountail rail EN 60715-35x15
- G-Schiene EN 60715-G32  
G-rail EN 60715-G32

\* spezielle Verpackung  
specific package

Weitere Daten siehe Katalog  
further data see catalog

Teile - Nr. part-number	Farbe colour	Typ type
57.504.2055.0	grau/grey	WK 4 TKM/U/VO
57.504.2055.6	blau/blue	WK 4 TKM/U BLAU/VO
57.504.2055.9	orange/orange	WK 4 TKM/U ORANGE/VO
* 57.504.2095.0	grau/grey	WK 4 TKM/U/VO
* 57.504.2095.6	blau/blue	WK 4 TKM/U BLAU/VO

Tolerierung nach DIN 7167/Tolerance system acc. to DIN 7167. (This DIN-standard describes the envelope principle. According to the envelope principle the deviations of form and parallelism are limited by the size tolerances).		ja/yes <input checked="" type="checkbox"/> Stoffverbots- und Deklarationsliste nach UU-TQM-05/03 ist einzuhalten. Conformity with Wieland document UU-TQM-05/03 (list of prohibited / declarable hazardous substances) to be declared!	
Freitoleranz nach General tolerance		CAD - Zeichnung, keine manuellen Änderungen CAD - drawing, no manual modifications allowed	1. Verwendung: - First Use:
		Blatt: 1 von 1 Sheet: of 1	
		Zeichnung Nr./Drawing No.	
		T 57.504.2055.0 01K a	
		Index	
		Maße in mm/Dimensions are in mm	
		Ersatz für/Replacement for: -	
		Type	
		Benennung/Title	
		MESSERTRENNKLEMME	
		Knife disconnect terminal	
		Elektrische Verbindungen	

These dimensions will be especially checked at delivery  
 Only inspection dimensions  
 With /E marked dimensions are only valid for internal use  
 Diese Maße werden bei Abnahme besonders geprüft  
 Ausschließlich Prüfmaße  
 Mit /E gekennzeichnete Maße sind nur für interne Zwecke gültig

Weitergabe sowie Vervielfältigung dieses Dokuments, Verwertung und Mitteilung  
 seines Inhalts sind verboten, soweit nicht ausdrücklich gestattet.  
 The reproduction, distribution and utilization of this document as well as the  
 communication of its contents to others without express authorization is prohibited.

575042055001K\_4\_CADW1044\_treschan 2007-12-05T11:06:50 1.000