



wieland



Data sheet

Commercial Art.No.: 57.570.9055.0

Earth terminal WKN 70 SL/U

Ground terminal with Screw connection for mounting on TS 35/ TS 32, nominal cross section: 70 mm², width: 24 mm, color: Green-yellow

Available from the UK's premier
control gear distributor,
iLECSYS Ltd, 01844 397300
sales@ilecsys.co.uk

Commercial Art.No.	57.570.9055.0
EAN	4015573662407
Order Unit	20

Certificates / Approvals



ATEX



SEV-EX



Technical data

General

Nominal cross section	70 mm ²
Colour	Green/yellow
Number of levels	1
Number of clamp positions per level	2
Width/grid dimension	24 mm
Insulating housing	PA666
Inflammability class of insulation material acc. with UL94	V0
Explosion-tested version "Ex e"	Yes
Mounting method	DIN rail (top hat rail)/G-rail
Terminal blocks for electrical installations	No

Technical data

Rated voltage	800 V
Rated impulse voltage	8 kV
Pollution degree	3
Closing plate required	No
Type of insulation material	Thermoplastic
Length	75.2 mm

Connection Data

Connection type 1	Screw connection
Connection type 2	Screw connection
Minimum cross section fine stranded	10 mm ²
Maximum cross section fine stranded	70 mm ²
Minimum cross section stranded	16 mm ²
Maximum cross section stranded	95 mm ²
Wire strip length	24 mm
Torque conductor mounting	6 Nm

Torque rail mounting	6 Nm
----------------------	------

Technical Data UL/CSA

Cross section UL	6-2/0 AWG
Voltage UL	600 V
Cross section CSA	6-2/0 AWG
Voltage CSA	600 V

Classification

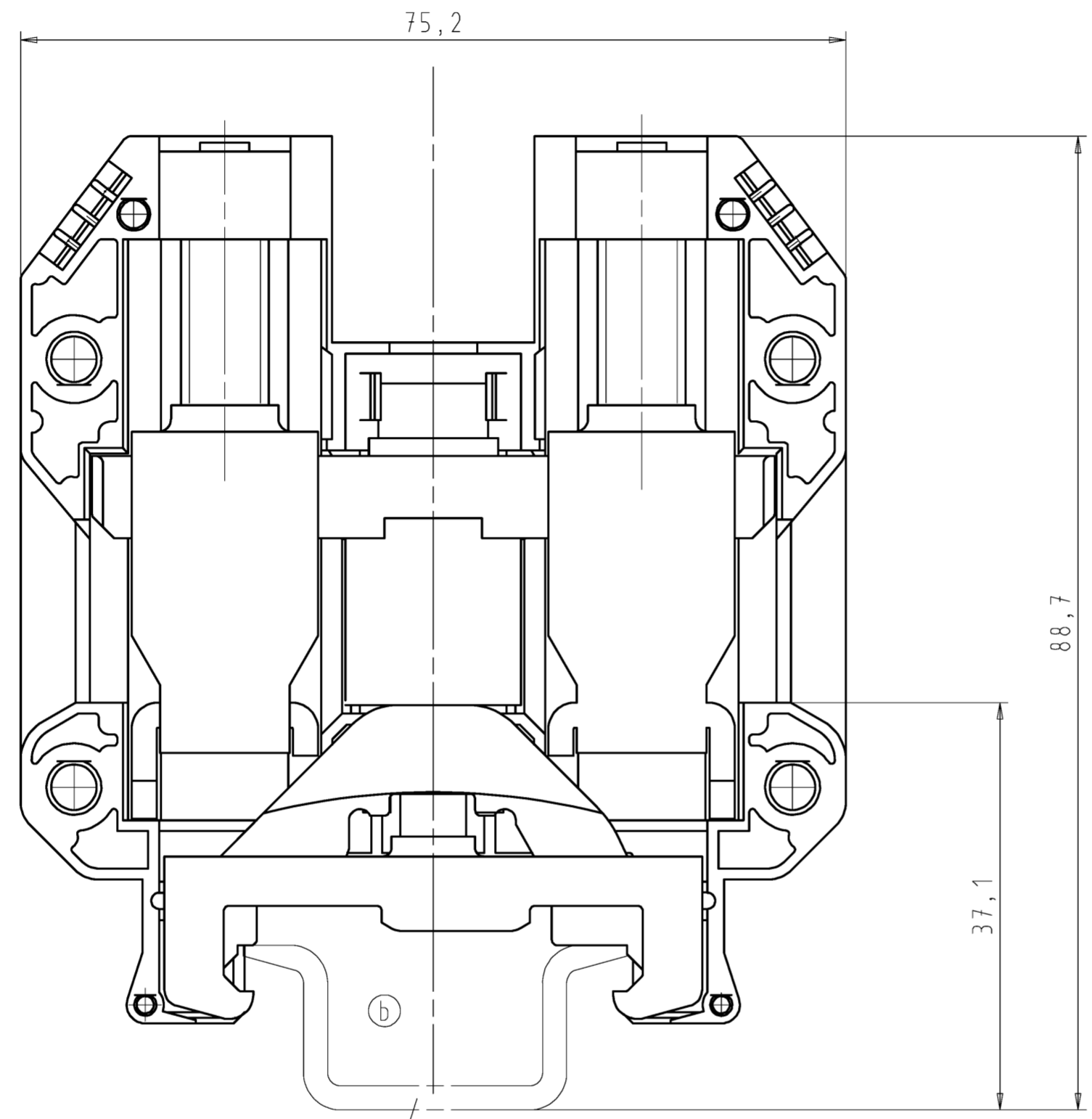
ECLASS 8.1	27141141
ETIM 7.0	EC000901
ETIM 6.0	EC000901
ETIM 5.0	EC000901
ETIM 4.0	EC000901
ETIM 3.0	EC000901

Accessories

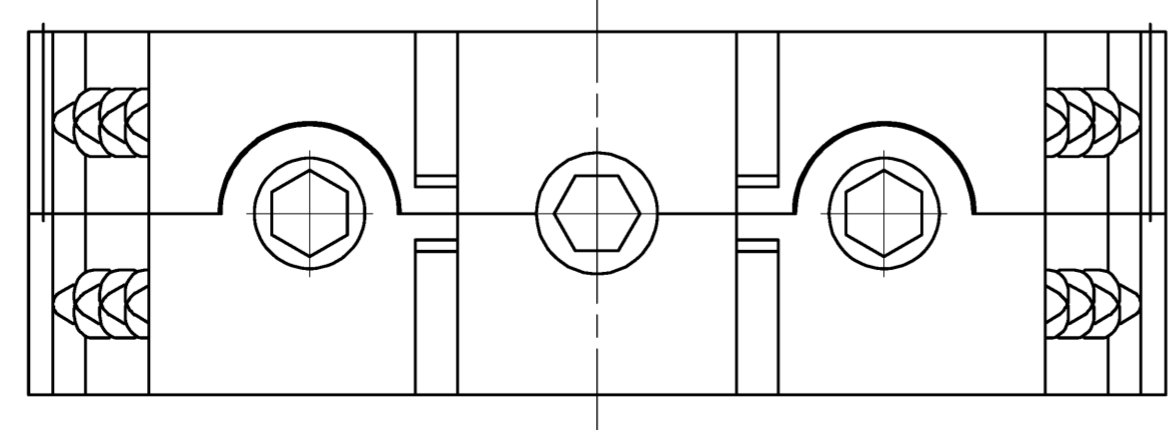
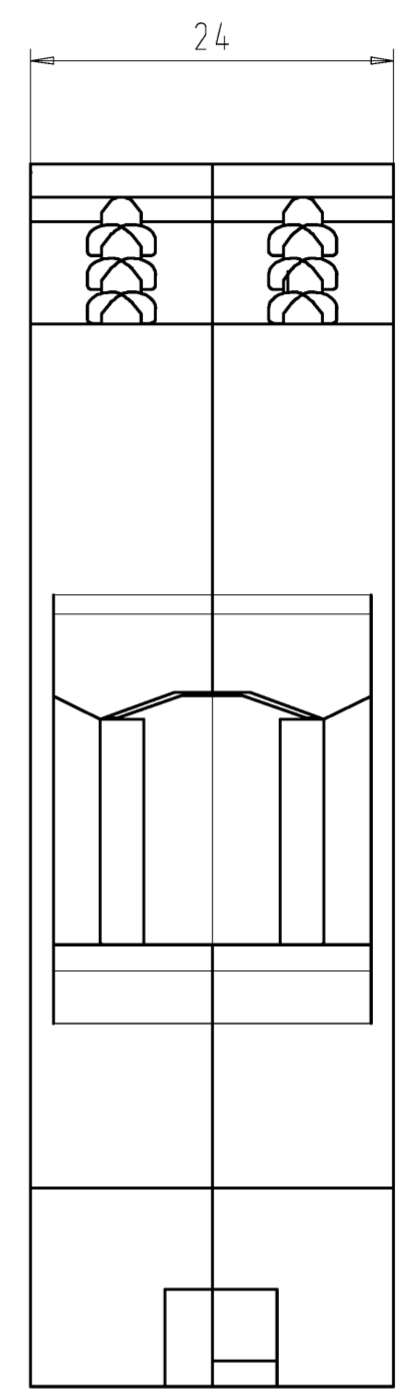
Commercial Art.No.:	Article-type description:	Description:
98.190.0000.0	Mounting rail TS 32 UNPERF - l:2000mm	Mounting rail G 32, unslotted, Höhe 5,5 mm, length 2 m, material steel. galv. zinc-plated and dichromated
98.190.1000.0	Mounting rail TS 32 PERF 15mm - l:2000mm	Mounting rail G 32, slotted, Höhe 15 mm, length 2 m, material steel. galv. zinc-plated and dichromated
98.210.0000.0	Mounting rail TS 32 UNPERF AL - l:2000mm	Mounting rail G 32, unslotted, Höhe 15 mm, length 2 m, material Aluminium
98.220.0000.0	Mounting rail TS 32 UNPERF CU - l:2000mm	Mounting rail G 32, unslotted, Höhe 15 mm, length 2 m, material E copper
98.300.0000.0	Mounting rail TS 35x7,5 UNPERF - l:2000mm	Mounting rail TS 35, unslotted, size 7,5 mm, length 2 m, material steel. galv. zinc-plated and dichromated
98.300.1000.0	Mounting rail TS 35x7,5 PERF 15mm - l:2000mm	Mounting rail TS 35, slotted, size 7,5 mm, length 2 m, material steel. galv. zinc-plated and dichromated
98.300.1900.0	Mounting rail TS 35x7,5 PERF 25mm - l:2000mm	Mounting rail TS 35, slotted, size 7,5 mm, length 2 m, material steel. galv. zinc-plated and dichromated
98.360.0000.0	Mounting rail TS 35x15-2,3 UNPERF - l:2000mm	Mounting rail TS 35, unslotted, size 15 mm, length 2 m, material steel. galv. zinc-plated and dichromated
98.360.0004.0	Mounting rail TS 35x15-2,3 UNPERF FZN - l:2000mm	Mounting rail TS 35, unslotted, size 15 mm, length 2 m, material steel, hot galvanized
98.370.0000.0	Mounting rail TS 35x15 UNPERF - l:2000mm	Mounting rail TS 35, unslotted, size 15 mm, length 2 m, material steel. galv. zinc-plated and dichromated
98.370.1000.0	Mounting rail TS 35x15 PERF 15mm - l:2000mm	Mounting rail TS 35, slotted, size 15 mm, length 2 m, material steel. galv. zinc-plated and dichromated
98.380.0000.0	Mounting rail TS 35x15-2,3 UNPERF CU - l:2000mm	Mounting rail TS 35, unslotted, size 15 mm, length 2 m, material E copper
Z5.522.7453.0	End bracket 9708 / S35	End clamp for mounting rail TS 35
Z5.522.8553.0	End bracket 9708 / 2 S 35	End clamp for mounting rail TS 35
Z5.523.5653.0	End bracket WE 2/U	End clamp for mounting rail TS 35 and TS 32
Z5.523.5753.0	End bracket WE 1/U	End clamp for mounting rail TS 35 and TS 32
Z5.523.9353.0	End bracket WEF 1/35	End clamp for mounting rail TS 35

These dimensions will be especially checked at delivery
 Only inspection dimensions
 With /E marked dimensions are only valid for internal use

Diese Maße werden bei Abnahme besonders geprüft
 Ausschließlich Prüfmaße
 Mit /E gekennzeichnete Maße sind nur für interne Zwecke gültig



Hutschiene EN 60715 Cu -35x15
 mounting rail EN 60715 Cu -35x15



Weitere Daten siehe Katalog
 further data see catalog

Teilenummer part number	Typ type
57.570.9055.0	WKN 70 SL

Tolerierung nach DIN 7167/Tolerance system acc. to DIN 7167. (This DIN-standard describes the envelope principle. According to the envelope principle the deviations of form and parallelism are limited by the size tolerances).		ja/yes <input checked="" type="checkbox"/> Stoffverbots- und Deklarationsliste nach UJ-TQM-05/03 ist einzuhalten. (Conformity with Wieland document UJ-TQM-05/03 [list of prohibited / declarable hazardous substances] to be declared!)	
Freitoleranz nach General tolerance	-	CAD - Zeichnung, keine manuellen Änderungen CAD - drawing, no manual modifications allowed	1. Verwendung: First Use: -
Werkstoff/Material		2004	Tag/Date
gezeichnet drawn		29.11.	Name
geprüft checked		-	Schnitt J.
Nenngr. Stand. check		-	-
Vol.		mm	Offl./Surf.
Ersatz für/Replacement for: -		Blatt: 1 von 1 Sheet: 1 of 1	
b 02.06.2015/ a 28.07.2008/ Index Datum / Blatt Date / Sheet		Zeichnung Nr./Drawing No. 57.570.9055.0 01K b	
Änderung/Revision		Maße in mm/Dimensions are in mm	
wieland Elektrische Verbindungen		Type Benennung/Title Typ WKN 70 SL/U SCHUTZLEITERKLEMME earth terminal	

Weitergabe sowie Vervielfältigung dieses Dokuments, Verwertung und Mitteilung seines Inhalts sind verboten, soweit nicht ausdrücklich gestattet.
 The reproduction, distribution and utilization of this document as well as the communication of its contents to others without express authorization is prohibited.