



wieland



Data sheet

Commercial Art.No.: 58.510.0055.0

Feed-through terminal WT 10

Feed-through terminal with Screw connection for mounting on TS 35, nominal cross section: 10 mm², width: 10 mm, color: grey

Available from the UK's premier
control gear distributor,
iLECSYS Ltd, 01844 397300
sales@ilecsys.co.uk

Commercial Art.No.	58.510.0055.0
EAN	4049088154089
Order Unit	50

Certificates / Approvals



SEV-Ex



Technical data

General

Nominal cross section	10 mm ²
Colour	Grey
Number of levels	1
Number of clamp positions per level	2
Width/grid dimension	10 mm
Insulating housing	PA666
Inflammability class of insulation material acc. with UL94	V0
Mounting method	DIN rail (top hat rail)
Terminal blocks for electrical installations	Yes

Technical data

Rated current	57 A
Rated voltage	1000 V
Rated impulse voltage	8 kV
Pollution degree	3
Closing plate required	Yes
Type of insulation material	Thermoplastic
Length	48 mm

Connection Data

Connection type 1	Screw connection
Connection type 2	Screw connection
Minimum cross section solid	0.5 mm ²
Maximum cross section solid	16 mm ²
Minimum cross section fine stranded	0.5 mm ²
Maximum cross section fine stranded	16 mm ²
Minimum cross section stranded	16 mm ²
Maximum cross section stranded	16 mm ²

Maximum conductor cross section (flex., stranded) with cable end sleeve	0.5 mm ²
Maximum conductor cross section (flex., stranded) with cable end sleeve	10 mm ²
Wire strip length	13 mm
Torque conductor mounting	1.2 Nm

Technical Data UL/CSA

Cross section UL	20-6 AWG
Voltage UL	600 V
Current factory wiring	65 A
Current field wiring	65 A
Cross section CSA	20-6 AWG
Voltage CSA	600 V
Current CSA	65 A

Classification

ECLASS 8.1	27141120
ETIM 7.0	EC000897
ETIM 6.0	EC000897
ETIM 5.0	EC000897
ETIM 4.0	EC000897

Accessories

Commercial Art.No.:	Article-type description:	Description:
Z7.283.8227.0	Jumper bar IVBWK 10- 2	Cross connector, insulated for DIN rail terminal blocks type WKF..., 2 - pole
98.300.0000.0	Mounting rail TS 35x7,5 UNPERF - l:2000mm	Mounting rail TS 35, unslotted, size 7,5 mm, length 2 m, material steel. galv. zinc-plated and dichromated
98.300.1000.0	Mounting rail TS 35x7,5 PERF 15mm - l:2000mm	Mounting rail TS 35, slotted, size 7,5 mm, length 2 m, material steel. galv. zinc-plated and dichromated
98.300.1900.0	Mounting rail TS 35x7,5 PERF 25mm - l:2000mm	Mounting rail TS 35, slotted, size 7,5 mm, length 2 m, material steel. galv. zinc-plated and dichromated
98.360.0000.0	Mounting rail TS 35x15-2,3 UNPERF - l:2000mm	Mounting rail TS 35, unslotted, size 15 mm, length 2 m, material steel. galv. zinc-plated and dichromated
98.360.0004.0	Mounting rail TS 35x15-2,3 UNPERF FZN - l:2000mm	Mounting rail TS 35, unslotted, size 15 mm, length 2 m, material steel, hot galvanized
98.370.0000.0	Mounting rail TS 35x15 UNPERF - l:2000mm	Mounting rail TS 35, unslotted, size 15 mm, length 2 m, material steel. galv. zinc-plated and dichromated
98.370.1000.0	Mounting rail TS 35x15 PERF 15mm - l:2000mm	Mounting rail TS 35, slotted, size 15 mm, length 2 m, material steel. galv. zinc-plated and dichromated
98.380.0000.0	Mounting rail TS 35x15-2,3 UNPERF CU - l:2000mm	Mounting rail TS 35, unslotted, size 15 mm, length 2 m, material E copper
04.344.1855.8	Warning cover AD WT 6/10	Cover with warning symbol for DIN rail terminal blocks type WT 6 and WT 10, color yellow
07.313.2555.0	End plate AP WT 2,5-10 GR	End plate for DIN rail terminal blocks type WT 2,5..., color: grey
07.313.2655.0	Partition TW WT 2,5-10 GR	Partition for DIN rail terminal blocks type WT 2,5, WT 4, WT 6 and WT 10..., color: grey
Z5.522.7453.0	End bracket 9708 / S35	End clamp for mounting rail TS 35
Z5.522.8553.0	End bracket 9708 / 2 S 35	End clamp for mounting rail TS 35
Z5.523.5653.0	End bracket WE 2/U	End clamp for mounting rail TS 35 and TS 32

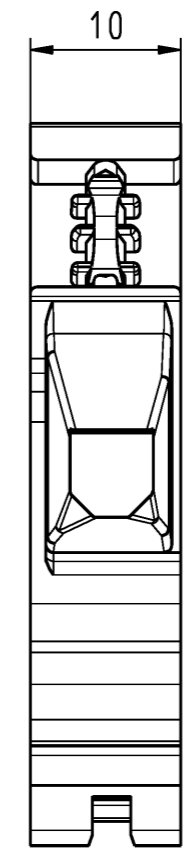
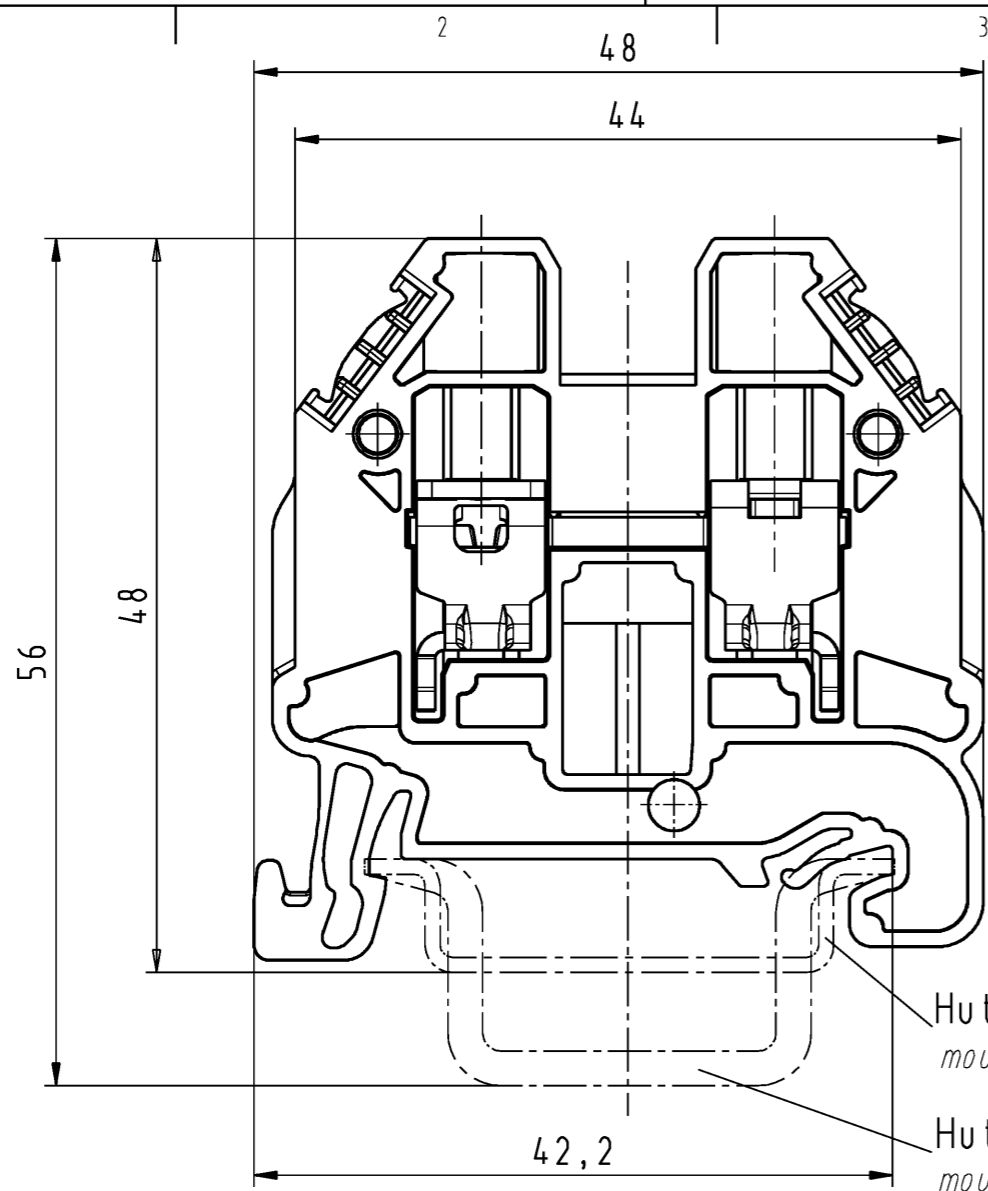
Z5.523.5753.0	End bracket WE 1/U	End clamp for mounting rail TS 35 and TS 32
Z5.523.9353.0	End bracket WEF 1/35	End clamp for mounting rail TS 35
07.250.0227.0	Cross connector VB 11/ 1 / 2	jumper bar for DIN rail terminal blocks, width: 10 mm, 2 poles
07.250.0327.0	Cross connector VB 11/ 1 / 3	jumper bar for DIN rail terminal blocks, width: 10 mm, 3 poles
07.250.0627.0	Cross connector VB 11/ 1 / 6	jumper bar for DIN rail terminal blocks, width: 10 mm, 6 poles
07.250.1027.0	Cross connector VB 11 / 1 / 12	jumper bar for DIN rail terminal blocks, width: 10 mm, 12 poles
07.250.1627.0	Cross connector VB 11 / 1 / 80	jumper bar for DIN rail terminal blocks, width: 10 mm, 80 poles

A Weitergabe sowie Vervielfältigung dieses Dokuments, Verwertung und Mitteilung seines Inhalts sind verboten, soweit nicht ausdrücklich gestattet. The reproduction, distribution and utilization of this document as well as the communication of its contents to others without express authorization is prohibited.

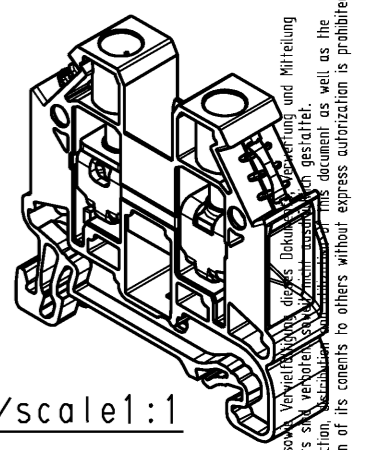
B These dimensions will be especially checked at delivery
 Only inspection dimensions
 With /E marked dimensions are only valid for internal use

D Diese Maße werden bei Abnahme besonders geprüft
 Ausschließlich Prüfmaße
 Mit /E gekennzeichnete Maße sind nur für interne Zwecke gültig

F



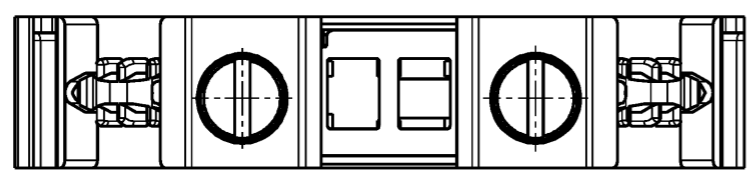
M/scale 1:1



Weitergabe sowie Vervielfältigung dieses Dokuments, Verwertung und Mitteilung seines Inhalts sind verboten, soweit nicht ausdrücklich gestattet. The reproduction, distribution and utilization of this document as well as the communication of its contents to others without express authorization is prohibited.

Teile-Nr./part no.	Farbe/color	Typ/type
58.510.0055.0	grau/grey	WT 10
58.510.0055.1	schwarz/black	WT 10 SW
58.510.0055.2	weiß/white	WT 10 WS
ⓐ 58.510.0055.3	schiefergrau/slate grey	WT 10 GR
58.510.0055.4	braun/brown	WT 10 BR
58.510.0055.5	rot/red	WT 10 RT
58.510.0055.6	blau/blue	WT 10 BL
58.510.0055.7	grün/green	WT 10 GN
58.510.0055.8	gelb/yellow	WT 10 GE
58.510.0055.9	orange/orange	WT 10 OR

Weitere Daten siehe KATALOG oder eKatalog additional data see CATALOG or eCATALOG www.wieland-electric.com
eshop.wieland-electric.com



Tolerierung Size ISO 14405 ⓐ / Tolerance system Size ISO 14405 ⓐ (This ISO-standard describes the envelope principle. According to the envelope principle the deviations of form and parallelism are limited by the size tolerances).		ja/yes <input checked="" type="checkbox"/> Stoffverbots- und Deklarationsliste nach WN 5020.010 ist einzuhalten. Conformity with Wieland document WN 5020.010 e (list of prohibited / declarable hazardous substances) to be declared!	
Freitoleranz nach General tolerance		CAD - Zeichnung, keine manuellen Änderungen CAD - drawing, no manual modifications allowed	1 Verwendung: First Use: Blatt: 1 von 1 Sheet: of 1
Werkstoff / Material		Tag/Date Name	Zeichnung Nr. / Drawing No. Index
Maßstab / Scale 2:1		gezeichnet/drawn 21.01.2013 Eller	T 58.510.0055.0 01K a
Vol. mm ³ Dfl./Srf. mm ²		Maße in mm / Dimensions are in mm	
a 22.03.2017 / Datum / Blatt Date / Sheet		Ersatz für / Replacement for:	
www.wieland-electric.com		Type	Benennung/Title
Änderung / Revision		DURCHGANGSKLEMME through terminal	