



wieland



Data sheet

Commercial Art.No.: 58.516.0055.6

Feed-through terminal WT 16 BL

Feed-through terminal with Screw connection for mounting on TS 35, nominal cross section: 16 mm², width: 12 mm, color: blue

Available from the UK's premier
control gear distributor,
iLECSYS Ltd, 01844 397300
sales@ilecsys.co.uk

| | |
|--------------------|---------------|
| Commercial Art.No. | 58.516.0055.6 |
| EAN | 4049088164521 |
| Order Unit | 50 |

Certificates / Approvals



SEV-Ex



Technical data

General

| | |
|------------------------------------------------------------|-------------------------|
| Nominal cross section | 16 mm ² |
| Colour | Blue |
| Number of levels | 1 |
| Number of clamp positions per level | 2 |
| Width/grid dimension | 12 mm |
| Insulating housing | PA666 |
| Inflammability class of insulation material acc. with UL94 | V0 |
| Mounting method | DIN rail (top hat rail) |
| Terminal blocks for electrical installations | Yes |

Technical data

| | |
|-----------------------------|---------------|
| Rated current | 76 A |
| Rated voltage | 1000 V |
| Rated impulse voltage | 8 kV |
| Pollution degree | 3 |
| Closing plate required | Yes |
| Type of insulation material | Thermoplastic |
| Length | 58 mm |

Connection Data

| | |
|-------------------------------------|---------------------|
| Connection type 1 | Screw connection |
| Connection type 2 | Screw connection |
| Minimum cross section solid | 1.5 mm ² |
| Maximum cross section solid | 16 mm ² |
| Minimum cross section fine stranded | 4 mm ² |
| Maximum cross section fine stranded | 25 mm ² |
| Minimum cross section stranded | 16 mm ² |
| Maximum cross section stranded | 25 mm ² |

| | |
|-------------------------------------------------------------------------|---------------------|
| Maximum conductor cross section (flex., stranded) with cable end sleeve | 1.5 mm ² |
| Maximum conductor cross section (flex., stranded) with cable end sleeve | 16 mm ² |
| Wire strip length | 15 mm |
| Torque conductor mounting | 2 Nm |

Technical Data UL/CSA

| | |
|------------------------|----------|
| Cross section UL | 14-4 AWG |
| Voltage UL | 600 V |
| Current factory wiring | 85 A |
| Current field wiring | 85 A |
| Cross section CSA | 14-4 AWG |
| Voltage CSA | 600 V |
| Current CSA | 85 A |

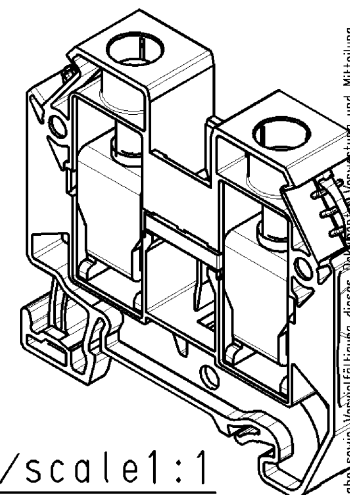
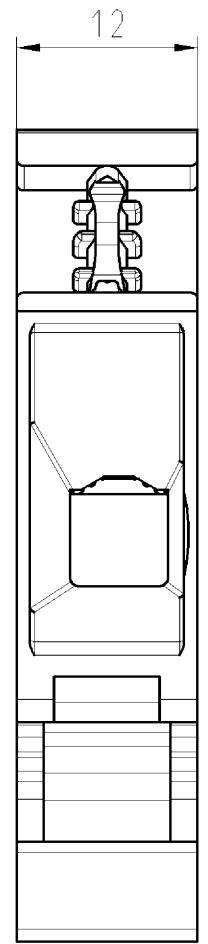
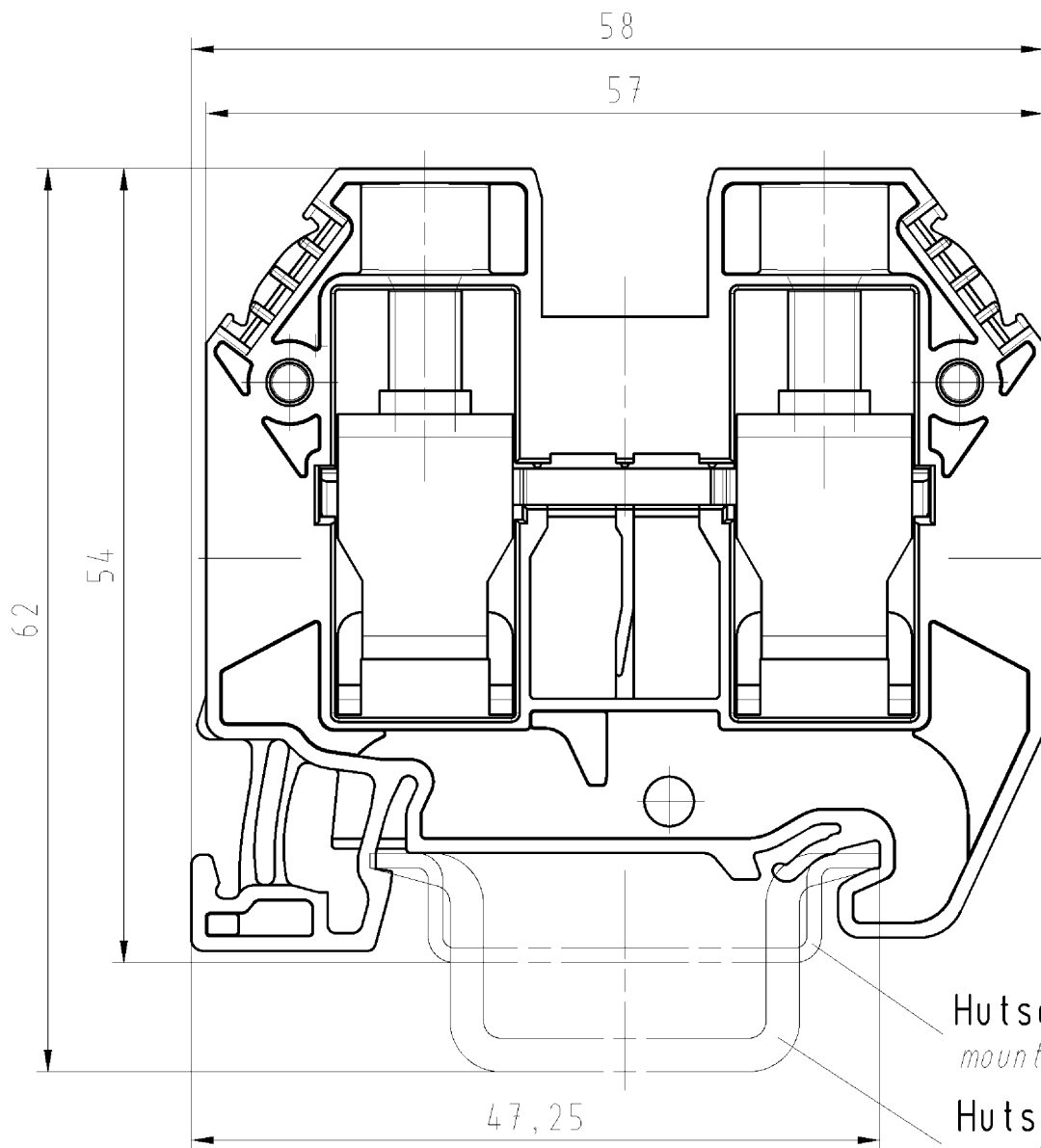
Classification

| | |
|------------|----------|
| ECLASS 8.1 | 27141120 |
| ETIM 7.0 | EC000897 |
| ETIM 6.0 | EC000897 |
| ETIM 5.0 | EC000897 |
| ETIM 4.0 | EC000897 |

Accessories

| Commercial Art.No.: | Article-type description: | Description: |
|---------------------|--------------------------------------------------|------------------------------------------------------------------------------------------------------------|
| Z7.284.4227.0 | Jumper bar IVBWK 16- 2 | Cross connector, insulated for DIN rail terminal blocks type WKF..., 2 - pole |
| 98.300.0000.0 | Mounting rail TS 35x7,5 UNPERF - l:2000mm | Mounting rail TS 35, unslotted, size 7,5 mm, length 2 m, material steel. galv. zinc-plated and dichromated |
| 98.300.1000.0 | Mounting rail TS 35x7,5 PERF 15mm - l:2000mm | Mounting rail TS 35, slotted, size 7,5 mm, length 2 m, material steel. galv. zinc-plated and dichromated |
| 98.300.1900.0 | Mounting rail TS 35x7,5 PERF 25mm - l:2000mm | Mounting rail TS 35, slotted, size 7,5 mm, length 2 m, material steel. galv. zinc-plated and dichromated |
| 98.360.0000.0 | Mounting rail TS 35x15-2,3 UNPERF - l:2000mm | Mounting rail TS 35, unslotted, size 15 mm, length 2 m, material steel. galv. zinc-plated and dichromated |
| 98.360.0004.0 | Mounting rail TS 35x15-2,3 UNPERF FZN - l:2000mm | Mounting rail TS 35, unslotted, size 15 mm, length 2 m, material steel, hot galvanized |
| 98.370.0000.0 | Mounting rail TS 35x15 UNPERF - l:2000mm | Mounting rail TS 35, unslotted, size 15 mm, length 2 m, material steel. galv. zinc-plated and dichromated |
| 98.370.1000.0 | Mounting rail TS 35x15 PERF 15mm - l:2000mm | Mounting rail TS 35, slotted, size 15 mm, length 2 m, material steel. galv. zinc-plated and dichromated |
| 98.380.0000.0 | Mounting rail TS 35x15-2,3 UNPERF CU - l:2000mm | Mounting rail TS 35, unslotted, size 15 mm, length 2 m, material E copper |
| 04.344.2255.8 | Warning cover AD WT 16 | Cover with warning symbol for DIN rail terminal blocks type WT 16, color yellow |
| 07.313.2755.0 | End plate AP WT 16 GR | End plate for DIN rail terminal blocks type WT 16..., color: grey |
| 07.313.2855.0 | Partition TW WT 4... GR | Partition for DIN rail terminal blocks type WT 2,5, WT 4, WT 6 and WT 10..., color: green |
| Z5.522.7453.0 | End bracket 9708 / S35 | End clamp for mounting rail TS 35 |
| Z5.522.8553.0 | End bracket 9708 / 2 S 35 | End clamp for mounting rail TS 35 |
| Z5.523.5653.0 | End bracket WE 2/U | End clamp for mounting rail TS 35 and TS 32 |

| | | |
|---------------|----------------------|---------------------------------------------|
| Z5.523.5753.0 | End bracket WE 1/U | End clamp for mounting rail TS 35 and TS 32 |
| Z5.523.9353.0 | End bracket WEF 1/35 | End clamp for mounting rail TS 35 |



M/scale 1:1

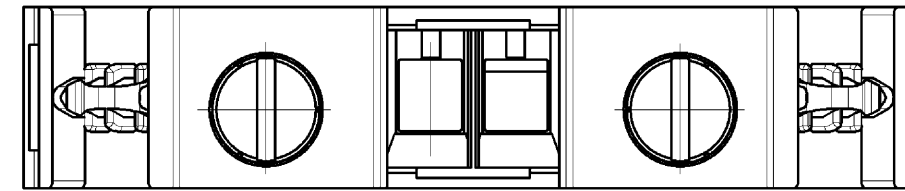
Weitergabe sowie Vervielfältigung dieses Dokuments, auch auszugsweise, ist ohne schriftliche Genehmigung der Wieland-Werke AG. The reproduction, distribution and utilization of this document as well as the communication of its contents to others without express authorization is prohibited.

These dimensions will be especially checked at delivery
 Only inspection dimensions
 With /E marked dimensions are only valid for internal use

Diese Maße werden bei Abnahme besonders geprüft
 Ausschließlich Prüfmaße
 Mit /E gekennzeichnete Maße sind nur für interne Zwecke gültig

Hutschiene EN 60715-35x7,5
 mounting rail EN 60715-35x7,5

Hutschiene EN 60715-35x15
 mounting rail EN 60715-35x15



| Teile - Nr. <i>part - no.</i> | Farbe <i>colour</i> |
|----------------------------------|-------------------------|
| 58.516.0055.0 | grau <i>grey</i> |
| 58.516.0055.1 | schwarz <i>black</i> |
| 58.516.0055.2 | weiß <i>white</i> |
| 58.516.0055.4 | braun <i>brown</i> |
| 58.516.0055.5 | rot <i>red</i> |
| 58.516.0055.6 | blau <i>blue</i> |
| 58.516.0055.7 | grün <i>green</i> |
| 58.516.0055.8 | gelb <i>yellow</i> |
| 58.516.0055.9 | orange <i>orange</i> |

| | | | | | | | |
|-------------------------------------------------------------------------------------------------------------------------------------------------------------------------------------------------------------------------------------|--|-----------------------------------------------------------------------------------------------|--|-------------------------------------------------------------------------------------------------------------------------------------------------------------------------------------------------------------------------------------------|--|--------------------------------------|--|
| Tolerierung Size ISO 14405/Tolerance system Size ISO 14405. (This ISO-standard describes the envelope principle. According to the envelope principle the deviations of form and parallelism are limited by the size tolerances). | | | | ja/yes <input checked="" type="checkbox"/> Stoffverbots- und Deklarationsliste nach UU-TOM-05/03 ist einzuhalten. Conformity with Wieland document UU-TOM-05/03 (list of prohibited / declarable hazardous substances) to be declared! | | | |
| Freitoleranz nach General tolerance | | CAD - Zeichnung, keine manuellen Änderungen CAD - drawing, no manual modifications allowed | | 1. Verwendung: First Use: | | Blatt: 1 von 1 Sheet: of 1 | |
| / | | Werkstoff/Material | | 2013 Tag/Date Name | | Zeichnung Nr./Drawing No. Index | |
| / | | Maßstab/Scale | | gezeichnet drawn 21.01. Eller | | T 58.516.0055.0 01K | |
| / | | 2:1 | | geprüft checked - - | | Maße in mm/Dimensions are in mm | |
| / | | Vol. mm ³ Ofl./Surf. mm ² | | Normgepr. Stand. check - - | | Ersatz für/Replacement for: - | |
| / | | wieland | | Type | | Benennung/Titel | |
| / | | Elektrische Verbindungen | | WT 16 | | DURCHGANGSKLEMME through terminal | |
| Index Datum / Blatt Date / Sheet | | Änderung/Revision | | | | | |

585160055001K_2 CADW3070_U0016728 2013-01-22T09:55:50 1.000