

PRODUCT-DETAILS

# ACB21

## NYLON CONDUIT CLIP 21MM



### General Information

Extended Product Type	ACB21
Product ID	7TCA296000R0056
EAN	5020963009372
Catalog Description	NYLON CONDUIT CLIP 21MM
Long Description	Conduit Clip with Integral Lid, Nominal Conduit Size 21mm, Polyamide (Nylon) 66, Black

### Ordering

EAN	5020963009372
Customs Tariff Number	3926909990

### Dimensions

Product Net Weight	.01 lb 4.535 g
--------------------	-------------------

### Container Information

Package Level 1 Units	10 piece
Package Level 2 Units	300 piece
Package Level 2 Width	14 in 356 mm

Package Level 2 Height	6 in 152 mm
Package Level 2 Depth / Length	14 in 356 mm

**Additional Information**

Application	To Support, Connect, and Hang Conduit Systems
Brand / Label	Adaptaflex
Cable Size	NC21
Color	Black
Material	Polyamide/Nylon 6.6
Number of Batteries	0
Product Name	Plastic clip for conduit
Product Type	Conduit Clip with Integral Lid
UPC	786210278483

**Certificates and Declarations (Document Number)**

Data Sheet, Technical Information	ACB21
Declaration of Conformity - CE	9AKK107492A9618
Instructions and Manuals	ACB21

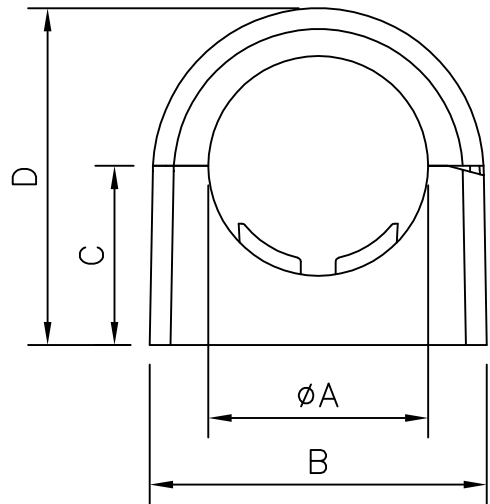
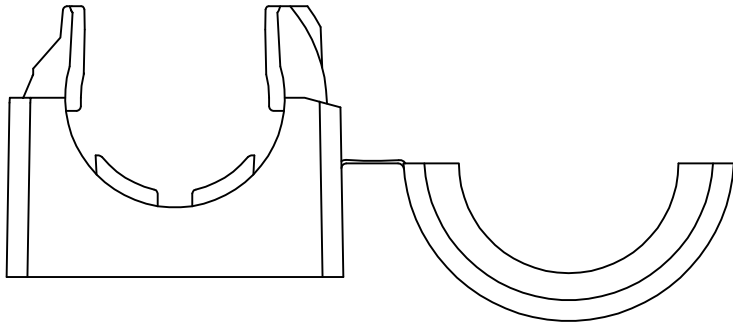
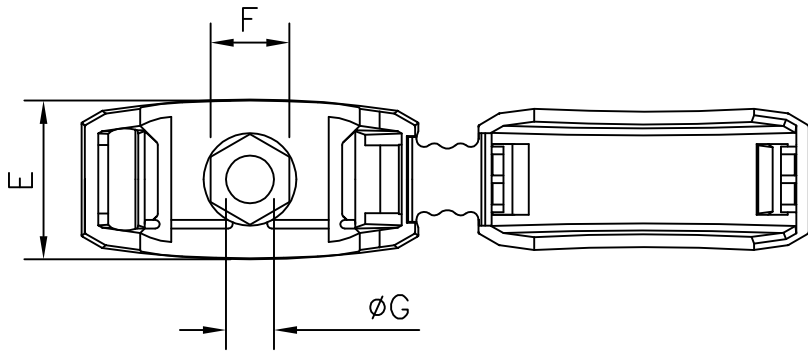
**Classifications**

ETIM 6	EC001171 - Holder for protective hose
ETIM 7	EC000368 - Tube clamp
UNSPSC	39121702
WEEE Category	Product Not in WEEE Scope
IDEA Granular Category Code (IGCC)	5029 >> Nylon Cable Clips

**Categories**

Low Voltage Products and Systems → Installation Products → Cable Protection, Explosion Proof and Lighting → Flexible Cable Protection Systems





PART No.	TO SUIT CONDUIT ØA	NOMINAL DIMENSIONS (mm)						WEIGHT gms.
		B	C	D	E	F	G	
ACB10	10.0	22.6	12.9	23.3	11.6	7.5	4.2	1.9
ACB13	13.0	22.6	12.9	23.3	11.6	7.5	4.2	1.7
ACB16	15.8	26.7	15.1	26.9	13.7	8.8	5.1	2.6
ACB21	21.2	33.8	19.5	34.9	17.5	10.4	6.1	4.8
ACB28	28.5	43.8	23.4	43.7	20.7	10.3	6.1	8.6
ACB34	34.5	52.8	26.9	51.6	23.2	10.2	6.2	12.7
ACB42	42.5	64.5	32.4	62.5	27.0	10.2	6.2	19.5
ACB54	54.5	81.0	38.5	77.0	32.1	10.2	6.2	34.7



BIRMINGHAM ENGLAND

This drawing/document is a COPYRIGHT and the property ADAPTAFLEX LIMITED it must not be copied (in whole or part) used for manufacture or otherwise disclosed without prior written consent of the company. The Company's policy is one of continuous improvement and it therefore reserves the right to change specifications at any time without notice.

MATERIAL **NYLON 66 (PA66)**

FINISH **FINE SPARK**

COLOUR **BLACK/GREY**

NEW ISSUE DATE **6/11/98**

CHARTS 013

TITLE

**CORRUGATED  
CONDUIT CLIP  
DATA SHEET**