

PRODUCT-DETAILS

ACB34

CONDUIT CLIP W/LID 34MM NYLON BLK



General Information

Extended Product Type	ACB34
Product ID	7TCA296000R0070
EAN	5020963009280
Catalog Description	CONDUIT CLIP W/LID 34MM NYLON BLK
Long Description	Conduit Clip with Integral Lid, Nominal Conduit Size 34mm, Polyamide (Nylon) 66, Black

Ordering

EAN	5020963009280
Customs Tariff Number	3926909990

Dimensions

Product Net Weight	.03 lb 13.605 g
--------------------	--------------------

Container Information

Package Level 1 Units	10 piece
Package Level 2 Units	100 piece
Package Level 2 Width	14 in 356 mm

Package Level 2 Height	6 in 152 mm
Package Level 2 Depth / Length	14 in 356 mm

Additional Information

Application	To Support, Connect, and Hang Conduit Systems
Brand / Label	Adaptaflex
Cable Size	NC34
Color	Black
Material	Polyamide/Nylon 6.6
Number of Batteries	0
Product Name	Plastic clip for conduit
Product Type	Conduit Clip with Integral Lid
UPC	786210278520

Certificates and Declarations (Document Number)

Data Sheet, Technical Information	ACB34
Declaration of Conformity - CE	9AKK107492A9618
Instructions and Manuals	ACB34

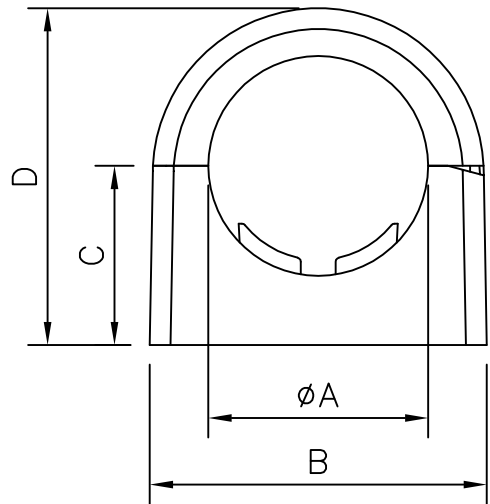
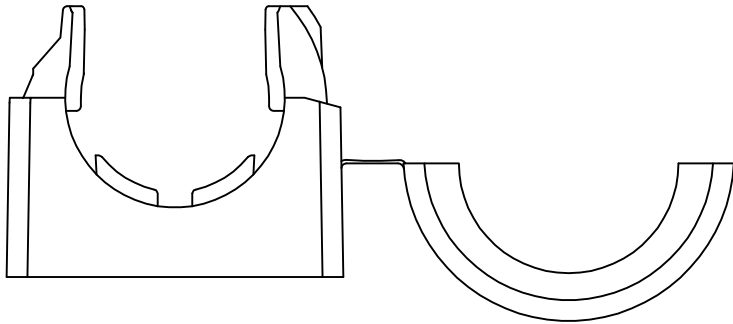
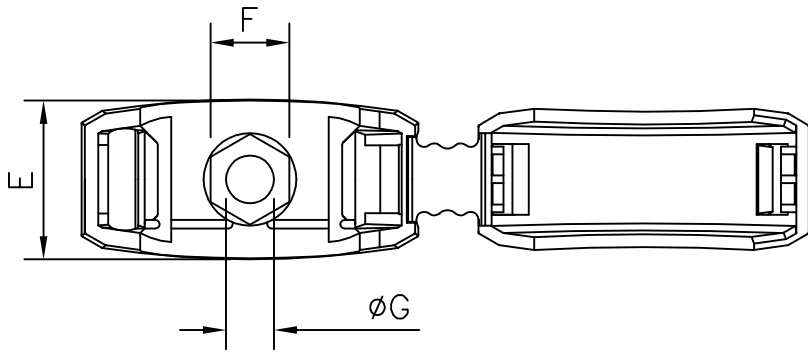
Classifications

ETIM 6	EC001171 - Holder for protective hose
ETIM 7	EC000368 - Tube clamp
UNSPSC	39121702
WEEE Category	Product Not in WEEE Scope
IDEA Granular Category Code (IGCC)	5029 >> Nylon Cable Clips

Categories

Low Voltage Products and Systems → Installation Products → Cable Protection, Explosion Proof and Lighting → Flexible Cable Protection Systems





PART No.	TO SUIT CONDUIT ØA	NOMINAL DIMENSIONS (mm)						WEIGHT gms.
		B	C	D	E	F	G	
ACB10	10.0	22.6	12.9	23.3	11.6	7.5	4.2	1.9
ACB13	13.0	22.6	12.9	23.3	11.6	7.5	4.2	1.7
ACB16	15.8	26.7	15.1	26.9	13.7	8.8	5.1	2.6
ACB21	21.2	33.8	19.5	34.9	17.5	10.4	6.1	4.8
ACB28	28.5	43.8	23.4	43.7	20.7	10.3	6.1	8.6
ACB34	34.5	52.8	26.9	51.6	23.2	10.2	6.2	12.7
ACB42	42.5	64.5	32.4	62.5	27.0	10.2	6.2	19.5
ACB54	54.5	81.0	38.5	77.0	32.1	10.2	6.2	34.7



BIRMINGHAM ENGLAND

This drawing/document is a COPYRIGHT and the property ADAPTAFLEX LIMITED it must not be copied (in whole or part) used for manufacture or otherwise disclosed without prior written consent of the company. The Company's policy is one of continuous improvement and it therefore reserves the right to change specifications at any time without notice.

MATERIAL **NYLON 66 (PA66)**

FINISH **FINE SPARK**

COLOUR **BLACK/GREY**

NEW ISSUE DATE **6/11/98**

CHARTS 013

TITLE

**CORRUGATED
CONDUIT CLIP
DATA SHEET**