

Miniature Circuit Breakers B4/BR6/B10



Technical Datasheet

Accessories

Auxiliary Switch	BR6-F2 (for BR6) & B10-F3 (for B10)
For monitoring the status of the protection device (open/closed)	
1 pole changeover (for C & D curve only)	
Rated current: 6A @ 230VAC & 24VDC or 3A @ 400VAC	
Dielectric Strength: 2000V/1min	
Terminal Capacity: 2.5mm ²	
Mounting on the Left side	

Shunt Trip	BR6-S2 (for BR6) & B10-S3 (for B10)
Shunt Trip to remotely switch off the protection device	
Rating voltage Ue: AC 110V / 230V / 400V	
Oving Voltage: 70%~110% X Ue	
Mounting on the Left side	

Under / Over Voltage Trip	BR6-U2-02
Trips the attached unit in case of under / over voltage	
Rated Voltage Ue: AC 230V	
Under-Voltage Tripping Range: 280V ±5%	
Over-Voltage Tripping Range: 170V ±5%	
Mounting on Left Side	

Busbars	
Description	Ref.
Busbar 1 Pole, 80A, Fork Type, 1M	B10BB1F100-1M
Busbar 3 Pole, 80A, Fork Type, 1M	B10BB3F100-1M
Busbar 1 Pole, 80A, Pin Type, 1M	B10BB1P100-1M
Busbar 3 Pole, 80A, Pin Type, 1M	B10BB3P100-1M
End Cap 3 Pole (Fork type only)	B10BBCAP3F100

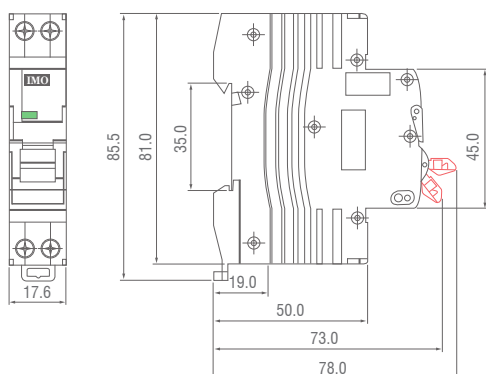
Terminal Adapter	BA1
-------------------------	------------

Locking Device	B10-LOCK
4mm padlock max diameter, padlock not included	

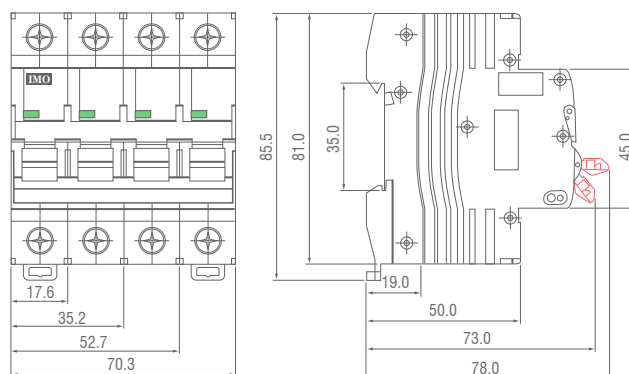
Locking Device	B10-TERM
-----------------------	-----------------

Dimensions (mm)

Miniature Circuit Breakers up to 32A (4.5kA Only)



Miniature Circuit Breakers up to 63A



Miniature Circuit Breakers from 80A to 125A

