



Product designation				Power contactor
Product type designation				BF09
Contact characteristics				
Number of poles	nr.			3
Rated insulation voltage Ui	V			690
Rated impulse withstand voltage Uimp	kV			6
Operating frequency	Operational frequency min	Hz	25	
	Operational frequency max	Hz	400	
	Conventional free air thermal current Ith	A	25	
Operating current	Operational current AC1 (≤40°C)	A	25	
	Operational current AC3 (≤440V ≤55°C)	A	9	
	Operational current AC4 (400V)	A	4.9	
Rated operational power AC1 (T≤40°C)	230V	kW	9.5	
	400V	kW	16	
	500V	kW	21	
	690V	kW	27	
Rated operational power AC3 (T≤55°C)	230V	kW	2.2	
	400V	kW	4.2	
	415V	kW	4.5	
	440V	kW	4.8	
	500V	kW	5.5	
	690V	kW	7.5	
Short-time allowable current for 10s (IEC/EN60947-1)	A	150		
Protection fuse	gG (IEC)	A	25	
	aM (IEC)	A	10	
Making capacity (RMS value)	A	90		
Breaking capacity at voltage	Breaking capacity 440V	A	72	
	Breaking capacity 500V	A	72	
	Breaking capacity 690V	A	71	
Resistance per pole (average value)	mΩ	2.5		
Power dissipation per pole (average value)	Power dissipation pole (average value) Ith	W	1.6	
	AC3	W	0.2	
Tightening torque for terminals	min	Nm	1.5	
	max	Nm	1.8	
	min	lbft	1.1	
	max	lbft	1.5	
Tightening torque for coil terminal				

	min	Nm	0.8
	max	Nm	1
	min	lbft	0.8
	max	lbft	0.74
max number of wires simultaneously connectable		nr.	2
Conductor section	AWG		
	min		16
	max		10
Flexible w/o lug conductor section	min	mm ²	1
	max	mm ²	6
Flexible c/w lug conductor section	min	mm ²	1
	max	mm ²	4
Flexible with insulated spade lug conductor section	min	mm ²	1
	max	mm ²	4
Power terminal protection according to IEC/EN 60529	IP20 when wired		
Auxiliary contact characteristics			
Type of contact	1 NO		
Thermal current I _{th}	A	10	
IEC/EN 60947-5-1 designation	A600 - P600		
Operational current AC1 (≤40°C)	A	25	
Operating current AC15	230V	A	3
	400V	A	1.9
	500V	A	1.4
Operating current DC12	110V	A	5.7
Operating current DC13	24V	A	5.7
	48V	A	2.9
	60V	A	2.3
	110V	A	Screw / DIN rail 35mm
	125V	A	0.6
	220V	A	0.2
	600V	A	1.2
Ambient conditions			
Temperature	Operating temperature		
	min	°C	-50
	max	°C	70
	Storage temperature		
	min	°C	-60
	max	°C	80
Max altitude		m	3000
Operating position	normal allowable	Vertical plan ±30°	
Mounting	Screw / DIN rail 35mm		
Weight		g	0.362

Operations

Mechanical life	Cycles	20000000
Electrical life	Cycles	2000000

Safety related data

Performance level B10d according to EN/ISO 13489-1

	rated load mechanical load	Cicli Cicli	2000000 20000000
Mirror contats according to IEC/EN 609474-4-1			yes
EMC compatibility			yes

AC coil operating

AC operating voltage

of 50/60Hz coil powered at 50Hz			
	pick-up	min	%Us 0.8
		max	%Us 1.1
	drop-out	min	%Us 0.2
		max	%Us 0.55
of 50/60Hz coil powered at 60Hz			
	pick-up	min	%Us 0.85
		max	%Us 1.1
	drop-out	min	%Us 0.2
		max	%Us 0.55
of 60Hz coil powered at 60Hz			
	pick-up	min	%Us 0.8
		max	%Us 1.1
	drop-out	min	%Us 0.2
		max	%Us 0.55

AC operating voltage

of 50/60Hz coil powered at 50Hz			
	in-rush	VA	75
	holding	VA	9
of 50/60Hz coil powered at 60Hz			
	in-rush	VA	70
	holding	VA	6.5
of 60Hz coil powered at 60Hz			
	in-rush	VA	75
	holding	VA	9
Dissipation at holding ≤20°C 50Hz		W	2.5

DC coil operating

DC rated control voltage

max	V	250
-----	---	-----

Max cycles frequency

Mechanical operations	Cycles/h	3600
-----------------------	----------	------

Operating times

Average time for Us control

in AC	Closing NO	min	ms	8
		max	ms	24

Opening NO	min	ms	10
	max	ms	20
Closing NC	min	ms	14
	max	ms	28
Opening NC	min	ms	7
	max	ms	18

UL technical data

Full-load current (FLA) for three-phase AC motor

at 480V	A	7.6
at 600V	A	0.375

Yielded mechanical performance

for single-phase AC motor

at 110/120V	hp	0.75
at 230V	hp	2

for three-phase AC motor

at 200/208V	hp	3
at 220/230V	hp	3
at 460/480V	hp	5
at 575/600V	hp	7.5

Contact rating of auxiliary contacts according to UL

A600 - P600

General USE

Contactor

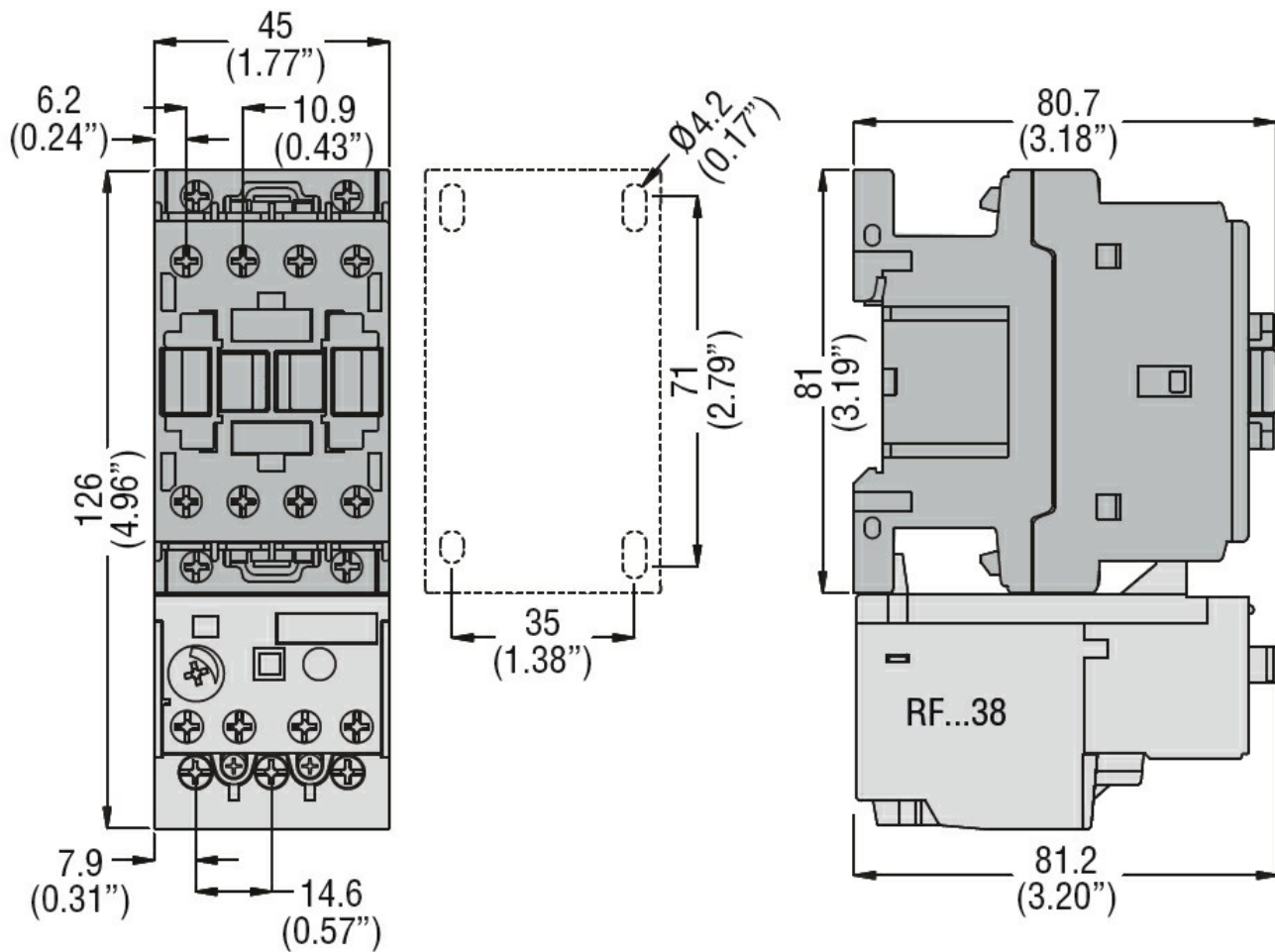
AC current	A	25
------------	---	----

Other features

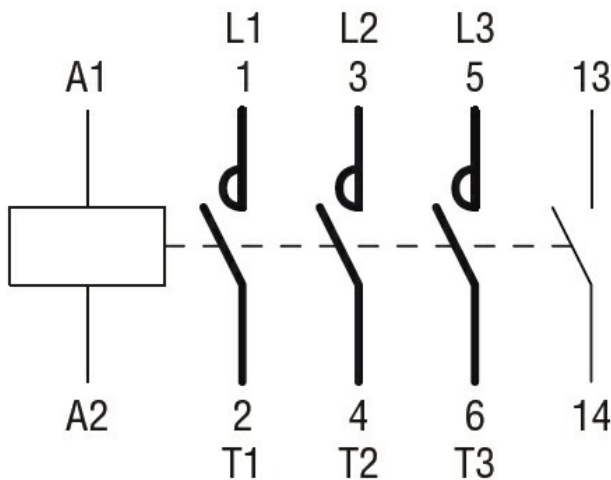
Pollution degree

3

Dimensions



Wiring diagrams



Certifications and compliance

Certifications

- CSA C22.2 n° 60947-1
- CSA C22.2 n° 60947-4-1
- IEC/EN 60947-1
- IEC/EN 60947-4-1
- UL 60947-1
- UL 60947-4-1

Compliance

CCC

cULus

EAC

ETIM 6 classification

EC000066 - Power contactor, AC switching