



Product designation				Power contactor
Product type designation				BF12
Contact characteristics				
Number of poles	nr.	3		
Rated insulation voltage U_i	V	690		
Rated impulse withstand voltage U_{imp}	kV	6		
Operating frequency	Operational frequency min	Hz	25	
	Operational frequency max	Hz	400	
	Conventional free air thermal current I_{th}	A	28	
Operating current	Operational current AC1 ($\leq 40^\circ\text{C}$)	A	28	
	Operational current AC3 ($\leq 440\text{V} \leq 55^\circ\text{C}$)	A	12	
	Operational current AC4 (400V)	A	7.9	
	Rated operational power AC1 ($T \leq 40^\circ\text{C}$)			
	230V	kW	10	
	400V	kW	18	
	500V	kW	23	
	690V	kW	32	
Rated operational power AC3 ($T \leq 55^\circ\text{C}$)	230V	kW	3.2	
	400V	kW	5.7	
	415V	kW	6.2	
	440V	kW	6.2	
	500V	kW	7.5	
	690V	kW	10	
	Short-time allowable current for 10s (IEC/EN60947-1)	A	150	
Protection fuse	gG (IEC)	A	32	
	aM (IEC)	A	12	
	Making capacity (RMS value)	A	120	
Breaking capacity at voltage	Breaking capacity 440V	A	96	
	Breaking capacity 500V	A	96	
	Breaking capacity 690V	A	94	
	Resistance per pole (average value)	m Ω	2.5	
Power dissipation per pole (average value)	Power dissipation pole (average value) I_{th}	W	2	
	AC3	W	0.4	
	Tightening torque for terminals	min	Nm	1.5
max		Nm	1.8	
min		lbft	1.1	
max		lbft	1.5	
Tightening torque for coil terminal				

	min	Nm	0.8
	max	Nm	1
	min	lbft	0.8
	max	lbft	0.74
max number of wires simultaneously connectable		nr.	2
Conductor section			
AWG	min		16
	max		10
Flexible w/o lug conductor section	min	mm ²	1
	max	mm ²	6
Flexible c/w lug conductor section	min	mm ²	1
	max	mm ²	4
Flexible with insulated spade lug conductor section	min	mm ²	1
	max	mm ²	4
Power terminal protection according to IEC/EN 60529			IP20 when wired
Auxiliary contact characteristics			
Type of contact			1 NO
Thermal current I _{th}		A	10
IEC/EN 60947-5-1 designation			A600 - P600
Operational current AC1 (≤40°C)		A	28
Operating current AC15	230V	A	3
	400V	A	1.9
	500V	A	1.4
Operating current DC12	110V	A	5.7
Operating current DC13	24V	A	5.7
	48V	A	2.9
	60V	A	2.3
	110V	A	Screw / DIN rail 35mm
	125V	A	0.6
	220V	A	0.2
	600V	A	1.2
Ambient conditions			
Temperature			
Operating temperature	min	°C	-50
	max	°C	70
Storage temperature	min	°C	-60
	max	°C	80
Max altitude		m	3000
Operating position	normal allowable		Vertical plan ±30°
Mounting			Screw / DIN rail 35mm
Weight		g	0.359

Operations

Mechanical life	Cycles	20000000
Electrical life	Cycles	2000000

Safety related data

Performance level B10d according to EN/ISO 13489-1

	rated load mechanical load	Cicli Cicli	2000000 20000000
Mirror contats according to IEC/EN 609474-4-1			yes
EMC compatibility			yes

AC coil operating

AC operating voltage

of 50/60Hz coil powered at 50Hz				
pick-up	min	%Us	0.8	
	max	%Us	1.1	
drop-out	min	%Us	0.2	
	max	%Us	0.55	
of 50/60Hz coil powered at 60Hz				
pick-up	min	%Us	0.85	
	max	%Us	1.1	
drop-out	min	%Us	0.2	
	max	%Us	0.55	
of 60Hz coil powered at 60Hz				
pick-up	min	%Us	0.8	
	max	%Us	1.1	
drop-out	min	%Us	0.2	
	max	%Us	0.55	

AC operating voltage

of 50/60Hz coil powered at 50Hz	in-rush	VA	75
	holding	VA	9
of 50/60Hz coil powered at 60Hz	in-rush	VA	70
	holding	VA	6.5
of 60Hz coil powered at 60Hz	in-rush	VA	75
	holding	VA	9

Dissipation at holding ≤20°C 50Hz

W	2.5
---	-----

Max cycles frequency

Mechanical operations	Cycles/h	3600
-----------------------	----------	------

Operating times

Average time for Us control
in AC

Closing NO	min	ms	8
	max	ms	24
Opening NO	min	ms	10
	max	ms	20

Closing NC	min	ms	14
	max	ms	28
Opening NC	min	ms	7
	max	ms	18

UL technical data

Full-load current (FLA) for three-phase AC motor

at 480V	A	11
at 600V	A	11

Yielded mechanical performance

for single-phase AC motor

at 110/120V	hp	1
at 230V	hp	2

for three-phase AC motor

at 200/208V	hp	5
at 220/230V	hp	5
at 460/480V	hp	7.5
at 575/600V	hp	10

Contact rating of auxiliary contacts according to UL

A600 - P600

General USE

Contactor

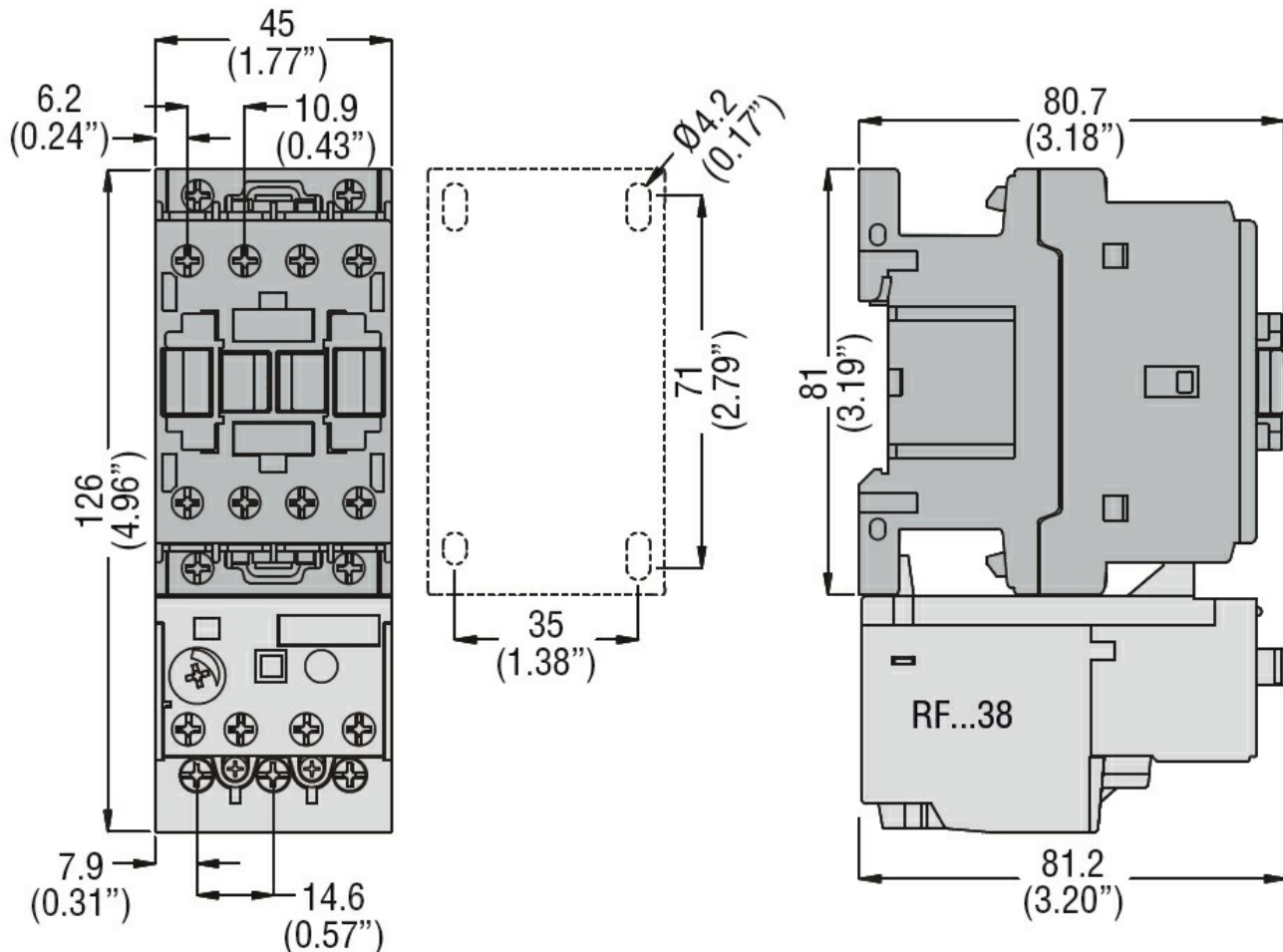
AC current	A	28
------------	---	----

Other features

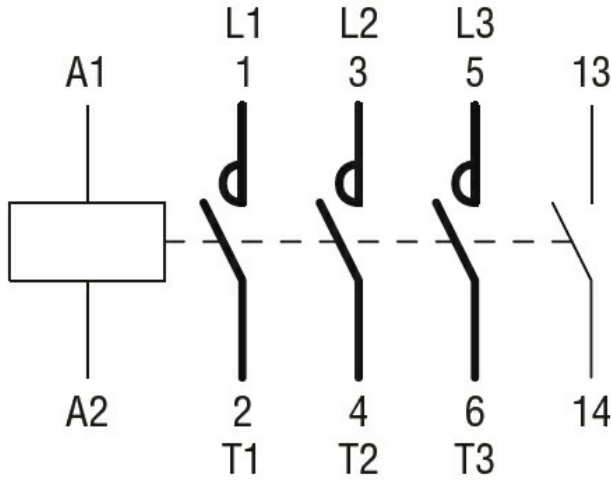
Pollution degree

3

Dimensions



Wiring diagrams



Certifications and compliance

Certifications

CSA C22.2 n° 60947-1
 CSA C22.2 n° 60947-4-1
 IEC/EN 60947-1
 IEC/EN 60947-4-1
 UL 60947-1
 UL 60947-4-1

Compliance

CCC
 cULus
 EAC

ETIM 6 classification

EC000066 - Power contactor, AC switching