



Product designation				Power contactor
Product type designation				BF18
Contact characteristics				
Number of poles	nr.	3		
Rated insulation voltage U_i	V	690		
Rated impulse withstand voltage U_{imp}	kV	6		
Operating frequency	Operational frequency min	Hz	25	
	Operational frequency max	Hz	400	
	Conventional free air thermal current I_{th}	A	32	
Operating current	Operational current AC1 ($\leq 40^\circ\text{C}$)	A	32	
	Operational current AC3 ($\leq 440\text{V} \leq 55^\circ\text{C}$)	A	18	
	Operational current AC4 (400V)	A	8.5	
Rated operational power AC1 ($T \leq 40^\circ\text{C}$)	230V	kW	12	
	400V	kW	21	
	500V	kW	26	
	690V	kW	36	
Rated operational power AC3 ($T \leq 55^\circ\text{C}$)	230V	kW	4	
	400V	kW	7.5	
	415V	kW	9	
	440V	kW	9	
	500V	kW	10	
	690V	kW	10	
Short-time allowable current for 10s (IEC/EN60947-1)	A	200		
Protection fuse	gG (IEC)	A	32	
	aM (IEC)	A	20	
Making capacity (RMS value)	A	180		
Breaking capacity at voltage	Breaking capacity 440V	A	144	
	Breaking capacity 500V	A	120	
	Breaking capacity 690V	A	94	
Resistance per pole (average value)	m Ω	2.5		
Power dissipation per pole (average value)	Power dissipation pole (average value) I_{th}	W	2.6	
	AC3	W	0.8	
Tightening torque for terminals	min	Nm	1.5	
	max	Nm	1.8	
	min	lbft	1.1	
	max	lbft	1.5	
Tightening torque for coil terminal				

	min	Nm	0.8
	max	Nm	1
	min	lbft	0.8
	max	lbft	0.74
max number of wires simultaneously connectable		nr.	2
Conductor section	AWG		
	min		16
	max		10
Flexible w/o lug conductor section	min	mm ²	1
	max	mm ²	6
Flexible c/w lug conductor section	min	mm ²	1
	max	mm ²	4
Flexible with insulated spade lug conductor section	min	mm ²	1
	max	mm ²	4
Power terminal protection according to IEC/EN 60529	IP20 when wired		
Auxiliary contact characteristics			
Type of contact	1 NO		
Thermal current I _{th}	A	10	
IEC/EN 60947-5-1 designation	A600 - P600		
Operational current AC1 (≤40°C)	A	32	
Operating current AC15	230V	A	3
	400V	A	1.9
	500V	A	1.4
Operating current DC12	110V	A	5.7
Operating current DC13	24V	A	5.7
	48V	A	2.9
	60V	A	2.3
	110V	A	Screw / DIN rail 35mm
	125V	A	0.6
	220V	A	0.2
	600V	A	1.2
Ambient conditions			
Temperature	Operating temperature		
	min	°C	-50
	max	°C	70
	Storage temperature		
	min	°C	-60
	max	°C	80
Max altitude		m	3000
Operating position	normal allowable	Vertical plan ±30°	
Mounting	Screw / DIN rail 35mm		
Weight		g	0.5

Operations

Mechanical life	Cycles	20000000
Electrical life	Cycles	1600000

Safety related data

Performance level B10d according to EN/ISO 13489-1

	rated load mechanical load	Cicli Cicli	1600000 20000000
Mirror contats according to IEC/EN 609474-4-1			yes
EMC compatibility			yes

DC coil operating

DC rated control voltage	min	V	6
DC operating voltage			
pick-up	min	%Us	0.8
	max	%Us	1.10
drop-out	min	%Us	0.1
	max	%Us	0.40

Average coil consupcion ≤20°C

in-rush	W	2.4
holding	W	2.4

Max cycles frequency

Mechanical operations	Cycles/h	3600
-----------------------	----------	------

Operating times

Average time for Us control				
in AC				
Closing NC	min	ms	14	
	max	ms	28	
Opening NC	min	ms	7	
	max	ms	18	
in DC				
Closing NO	min	ms	75	
	max	ms	91	
Opening NO	min	ms	15	
	max	ms	19	

UL technical data

Full-load current (FLA) for three-phase AC motor	at 480V	A	14
	at 600V	A	17

Yielded mechanical performance

for single-phase AC motor	at 110/120V	hp	1
	at 230V	hp	3
for three-phase AC motor	at 200/208V	hp	5
	at 220/230V	hp	5
	at 460/480V	hp	10
	at 575/600V	hp	15

Contact rating of auxiliary contacts according to UL
General USE

A600 - P600

Contactor

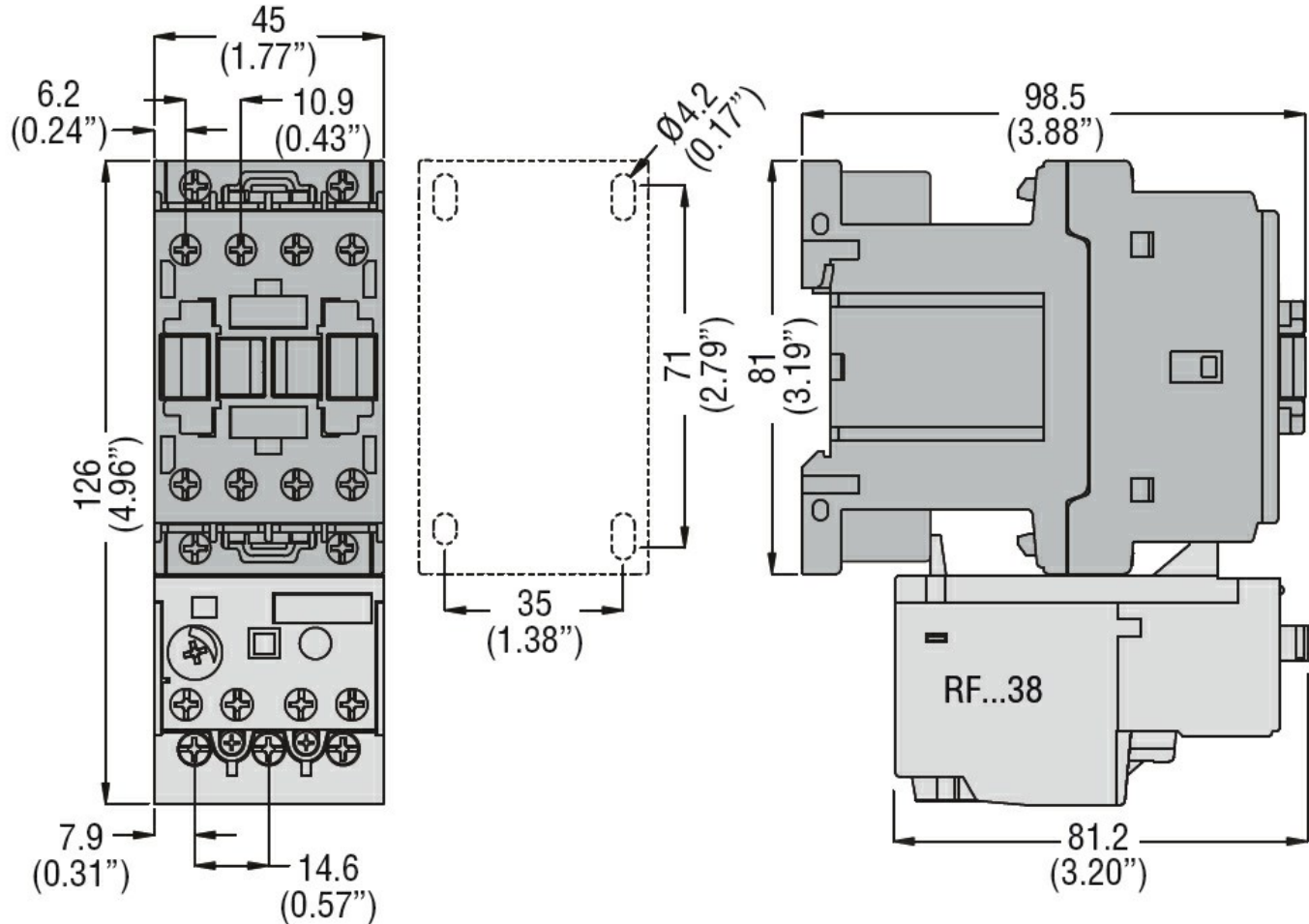
AC current A 32

Other features

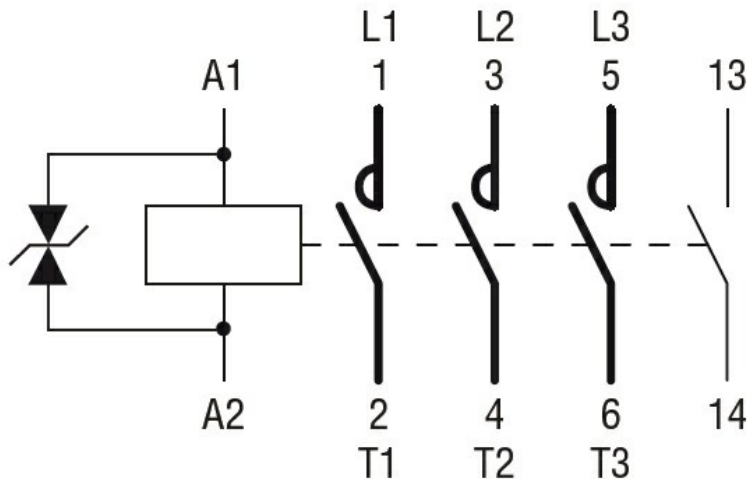
Pollution degree

3

Dimensions



Wiring diagrams



Certifications and compliance

Certifications

THREE-POLE CONTACTOR, IEC OPERATING CURRENT IE (AC3) = 18A, DC COIL LOW CONSUMPTION, 24VDC, 1NO AUXILIARY CONTACT

CSA C22.2 n° 60947-1

CSA C22.2 n° 60947-4-1

IEC/EN 60947-1

IEC/EN 60947-4-1

UL 60947-1

UL 60947-4-1

Compliance

CCC

cULus

EAC

ETIM 6 classification

EC000066 - Power contactor, AC switching