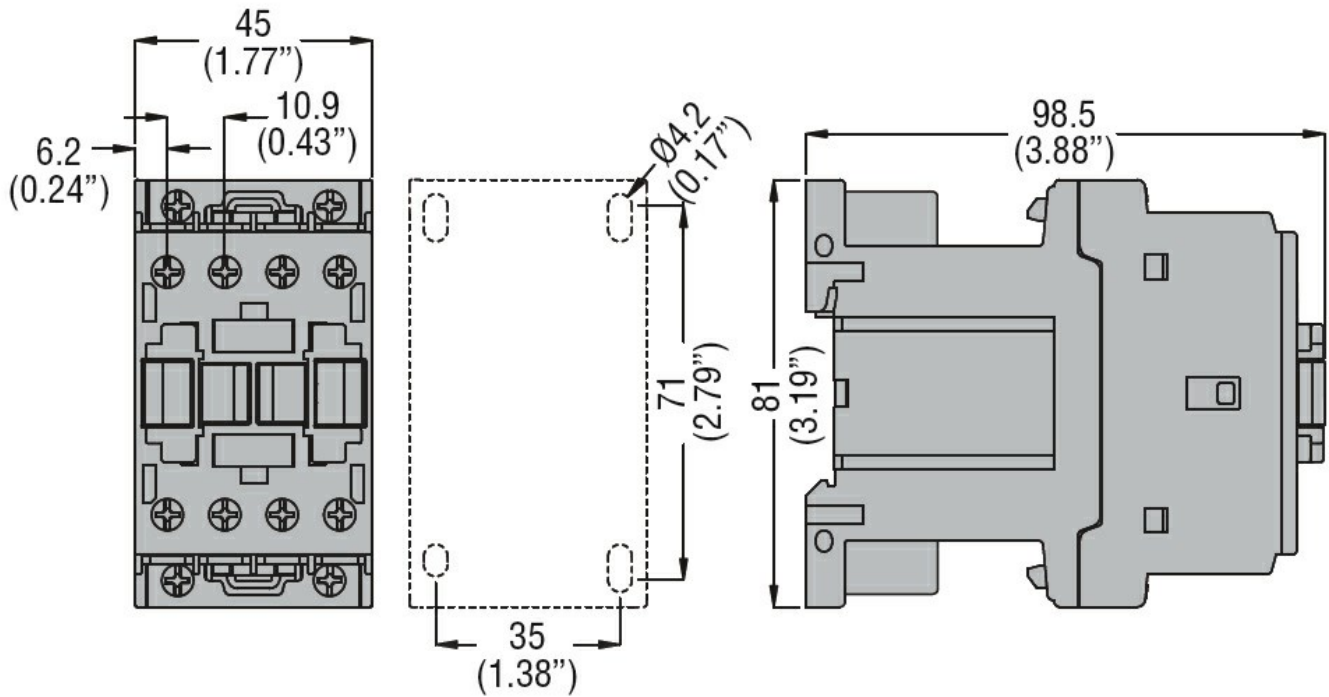




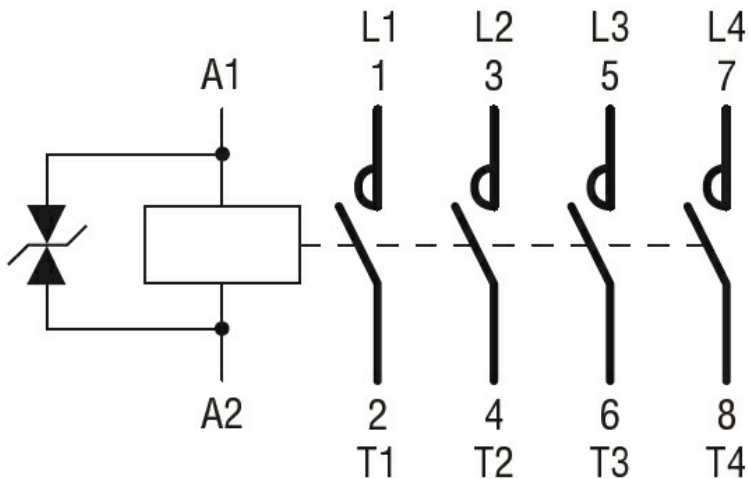
| | | | | |
|--|--|------|-----|-----------------|
| Product designation | | | | Power contactor |
| Product type designation | | | | BF18 |
| Contact characteristics | | | | |
| Number of poles | nr. | | | 4 |
| Rated insulation voltage U _i | V | | | 690 |
| Rated impulse withstand voltage U _{imp} | kV | | | 6 |
| Operating frequency | Operational frequency min | Hz | 25 | |
| | Operational frequency max | Hz | 400 | |
| | Conventional free air thermal current I _{th} | A | 32 | |
| Operating current | Operational current AC1 (≤40°C) | A | 32 | |
| | Operational current AC3 (≤440V ≤55°C) | A | 18 | |
| | Operational current AC4 (400V) | A | 8.5 | |
| Rated operational power AC1 (T≤40°C) | 230V | kW | 12 | |
| | 400V | kW | 21 | |
| | 500V | kW | 26 | |
| | 690V | kW | 36 | |
| Rated operational power AC3 (T≤55°C) | 230V | kW | 4 | |
| | 400V | kW | 7.5 | |
| | 415V | kW | 9 | |
| | 440V | kW | 9 | |
| | 500V | kW | 10 | |
| | 690V | kW | 10 | |
| Short-time allowable current for 10s (IEC/EN60947-1) | A | 200 | | |
| Protection fuse | gG (IEC) | A | 32 | |
| | aM (IEC) | A | 20 | |
| Making capacity (RMS value) | A | 180 | | |
| Breaking capacity at voltage | Breaking capacity 440V | A | 144 | |
| | Breaking capacity 500V | A | 120 | |
| | Breaking capacity 690V | A | 94 | |
| Resistance per pole (average value) | mΩ | 2.5 | | |
| Power dissipation per pole (average value) | Power dissipation pole (average value) I _{th} | W | 2.6 | |
| | AC3 | W | 0.8 | |
| Tightening torque for terminals | min | Nm | 1.5 | |
| | max | Nm | 1.8 | |
| | min | lbft | 1.1 | |
| | max | lbft | 1.5 | |
| Tightening torque for coil terminal | | | | |

| | | | |
|---|-------------------------------|-----------------|--------------------------|
| | min | Nm | 0.8 |
| | max | Nm | 1 |
| | min | lbft | 0.8 |
| | max | lbft | 0.74 |
| max number of wires simultaneously connectable | | nr. | 2 |
| Conductor section | AWG | | |
| | min | | 16 |
| | max | | 10 |
| Flexible w/o lug conductor section | min | mm ² | 1 |
| | max | mm ² | 6 |
| Flexible c/w lug conductor section | min | mm ² | 1 |
| | max | mm ² | 4 |
| Flexible with insulated spade lug conductor section | min | mm ² | 1 |
| | max | mm ² | 4 |
| Power terminal protection according to IEC/EN 60529 | | | IP20 when wired |
| Auxiliary contact characteristics | | | |
| Operational current AC1 (≤40°C) | | A | 32 |
| Operating current DC13 | 110V | A | Screw / DIN rail 35mm |
| Ambient conditions | | | |
| Temperature | Operating temperature | | |
| | min | °C | -50 |
| | max | °C | 70 |
| | Storage temperature | | |
| | min | °C | -60 |
| | max | °C | 80 |
| Max altitude | | m | 3000 |
| Operating position | normal allowable | | Vertical plan ±30° |
| Mounting | | | Screw / DIN rail 35mm |
| Weight | | g | 0.502 |
| Operations | | | |
| Mechanical life | | Cycles | 20000000 |
| Electrical life | | Cycles | 1600000 |
| Safety related data | | | |
| Performance level B10d according to EN/ISO 13489-1 | rated load mechanical load | Cicli Cicli | 1600000 20000000 |
| Mirror contacts according to IEC/EN 60947-4-1 | | | yes |
| EMC compatibility | | | yes |
| DC coil operating | | | |
| DC rated control voltage | min | V | 6 |
| DC operating voltage | pick-up | | |

| | | | | |
|--|---------------------------|-------------|----------|------|
| | | min | %Us | 0.8 |
| | | max | %Us | 1.10 |
| drop-out | | | | |
| | | min | %Us | 0.1 |
| | | max | %Us | 0.40 |
| Average coil consumption ≤20°C | | | | |
| | | in-rush | W | 2.4 |
| | | holding | W | 2.4 |
| Max cycles frequency | | | | |
| Mechanical operations | | | Cycles/h | 3600 |
| Operating times | | | | |
| Average time for Us control | | | | |
| | in AC | | | |
| | | Closing NC | | |
| | | min | ms | 14 |
| | | max | ms | 28 |
| | | Opening NC | | |
| | | min | ms | 7 |
| | | max | ms | 18 |
| | in DC | | | |
| | | Closing NO | | |
| | | min | ms | 75 |
| | | max | ms | 91 |
| | | Opening NO | | |
| | | min | ms | 15 |
| | | max | ms | 19 |
| UL technical data | | | | |
| Full-load current (FLA) for three-phase AC motor | | | | |
| | | at 480V | A | 14 |
| | | at 600V | A | 17 |
| Yielded mechanical performance | | | | |
| | for single-phase AC motor | | | |
| | | at 110/120V | hp | 1 |
| | | at 230V | hp | 3 |
| | for three-phase AC motor | | | |
| | | at 200/208V | hp | 5 |
| | | at 220/230V | hp | 5 |
| | | at 460/480V | hp | 10 |
| | | at 575/600V | hp | 15 |
| General USE | | | | |
| | Contactor | | | |
| | | AC current | A | 32 |
| Other features | | | | |
| Pollution degree | | | | 3 |
| Dimensions | | | | |



Wiring diagrams



Certifications and compliance

Certifications

CSA C22.2 n° 60947-1
CSA C22.2 n° 60947-4-1
IEC/EN 60947-1
IEC/EN 60947-4-1
UL 60947-1
UL 60947-4-1

Compliance

CCC
cULus
EAC

ETIM 6 classification

EC000066 - Power contactor, AC switching