



Power contactor
BF25

Product designation

Product type designation

Contact characteristics

Number of poles	nr.	3
Rated insulation voltage U_i	V	690
Rated impulse withstand voltage U_{imp}	kV	6
Operating frequency	Operational frequency min	Hz 25
	Operational frequency max	Hz 400
Conventional free air thermal current I_{th}	A	32
Operating current	Operational current AC1 ($\leq 40^\circ\text{C}$)	A 32
	Operational current AC3 ($\leq 440\text{V} \leq 55^\circ\text{C}$)	A 25
	Operational current AC4 (400V)	A 10
Rated operational power AC1 ($T \leq 40^\circ\text{C}$)	230V	kW 12
	400V	kW 21
	500V	kW 26
	690V	kW 36
Rated operational power AC3 ($T \leq 55^\circ\text{C}$)	230V	kW 7
	400V	kW 12.5
	415V	kW 13.4
	440V	kW 13.4
	500V	kW 15
	690V	kW 11
Short-time allowable current for 10s (IEC/EN60947-1)	A	200
Protection fuse	gG (IEC)	A 50
	aM (IEC)	A 25
Making capacity (RMS value)	A	250
Breaking capacity at voltage	Breaking capacity 440V	A 200
	Breaking capacity 500V	A 184
	Breaking capacity 690V	A 102
Resistance per pole (average value)	m Ω	2.5
Power dissipation per pole (average value)	Power dissipation pole (average value) I_{th}	W 2.6
	AC3	W 1.6
Tightening torque for terminals	min	Nm 1.5
	max	Nm 1.8
	min	lbft 1.1
	max	lbft 1.5
Tightening torque for coil terminal		

	min	Nm	0.8
	max	Nm	1
	min	lbft	0.8
	max	lbft	0.74
max number of wires simultaneously connectable		nr.	2
Conductor section	AWG		
	min		16
	max		10
Flexible w/o lug conductor section	min	mm ²	1
	max	mm ²	6
Flexible c/w lug conductor section	min	mm ²	1
	max	mm ²	4
Flexible with insulated spade lug conductor section	min	mm ²	1
	max	mm ²	4
Power terminal protection according to IEC/EN 60529	IP20 when wired		
Auxiliary contact characteristics			
Type of contact	1 NO		
Thermal current I _{th}	A	10	
IEC/EN 60947-5-1 designation	A600 - P600		
Operational current AC1 (≤40°C)	A	32	
Operating current AC15	230V	A	3
	400V	A	1.9
	500V	A	1.4
Operating current DC12	110V	A	5.7
Operating current DC13	24V	A	5.7
	48V	A	2.9
	60V	A	2.3
	110V	A	Screw / DIN rail 35mm
	125V	A	0.6
	220V	A	0.2
	600V	A	1.2
Ambient conditions			
Temperature	Operating temperature		
	min	°C	-50
	max	°C	70
	Storage temperature		
	min	°C	-60
	max	°C	80
Max altitude		m	3000
Operating position	normal allowable	Vertical plan ±30°	
Mounting	Screw / DIN rail 35mm		
Weight		g	0.36

Operations

Mechanical life	Cycles	20000000
Electrical life	Cycles	1200000

Safety related data

Performance level B10d according to EN/ISO 13489-1

	rated load mechanical load	Cicli Cicli	1200000 20000000
Mirror contats according to IEC/EN 609474-4-1			yes
EMC compatibility			yes

AC coil operating

AC operating voltage

of 50/60Hz coil powered at 50Hz			
pick-up			
	min	%Us	0.8
	max	%Us	1.1
drop-out			
	min	%Us	0.2
	max	%Us	0.55
of 50/60Hz coil powered at 60Hz			
pick-up			
	min	%Us	0.85
	max	%Us	1.1
drop-out			
	min	%Us	0.2
	max	%Us	0.55
of 60Hz coil powered at 60Hz			
pick-up			
	min	%Us	0.8
	max	%Us	1.1
drop-out			
	min	%Us	0.2
	max	%Us	0.55

AC operating voltage

of 50/60Hz coil powered at 50Hz			
	in-rush	VA	75
	holding	VA	9
of 50/60Hz coil powered at 60Hz			
	in-rush	VA	70
	holding	VA	6.5
of 60Hz coil powered at 60Hz			
	in-rush	VA	75
	holding	VA	9

Dissipation at holding ≤20°C 50Hz	W	2.5
-----------------------------------	---	-----

Max cycles frequency

Mechanical operations	Cycles/h	3600
-----------------------	----------	------

Operating times

Average time for Us control
in AC

Closing NO			
	min	ms	8
	max	ms	24
Opening NO			
	min	ms	10
	max	ms	20

Closing NC	min	ms	14
	max	ms	28
Opening NC	min	ms	7
	max	ms	18

UL technical data

Full-load current (FLA) for three-phase AC motor

at 480V	A	21
at 600V	A	17

Yielded mechanical performance

for single-phase AC motor

at 110/120V	hp	2
at 230V	hp	3

for three-phase AC motor

at 200/208V	hp	7.5
at 220/230V	hp	7.5
at 460/480V	hp	15
at 575/600V	hp	15

Contact rating of auxiliary contacts according to UL

A600 - P600

General USE

Contactor

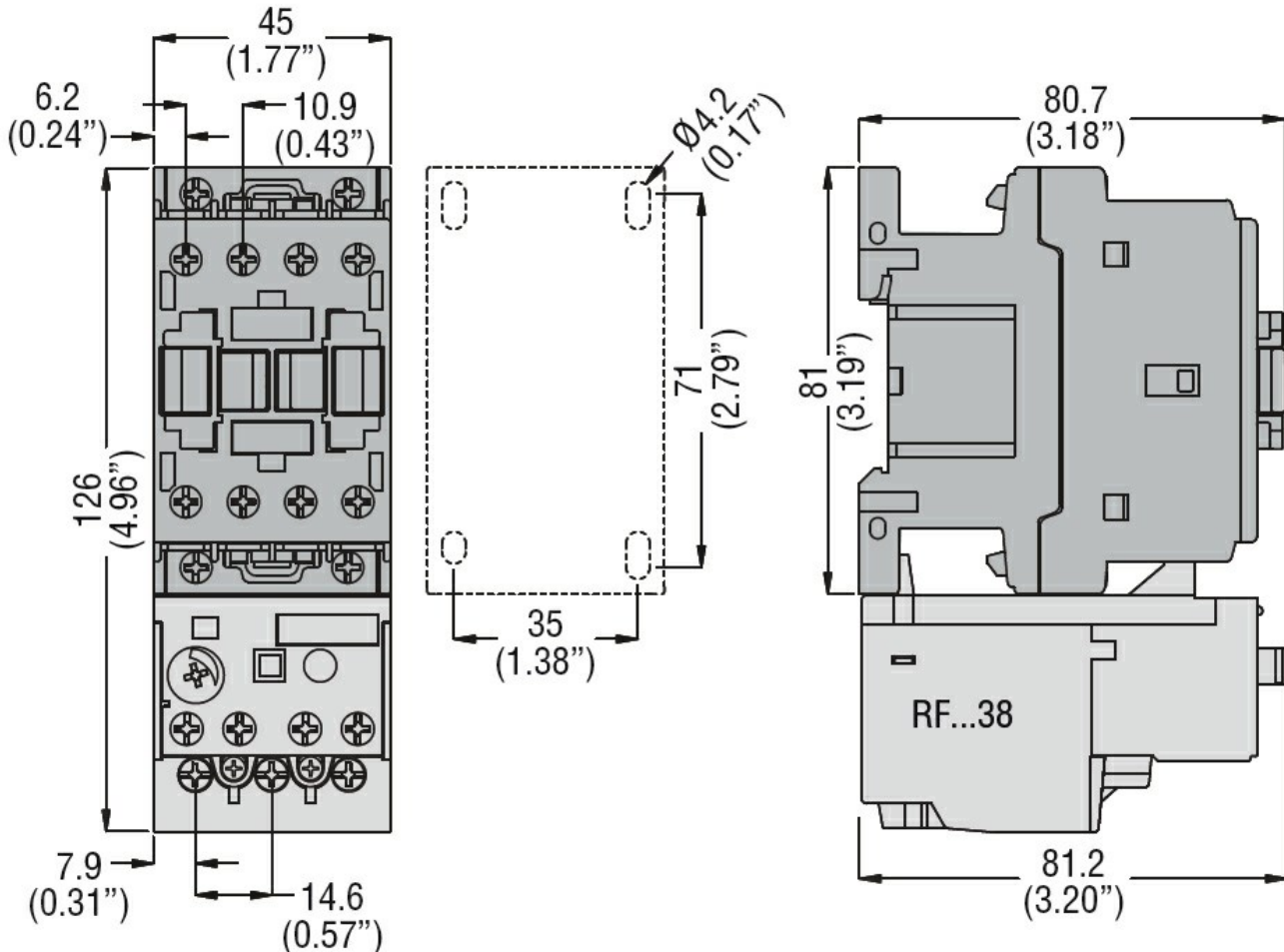
AC current	A	32
------------	---	----

Other features

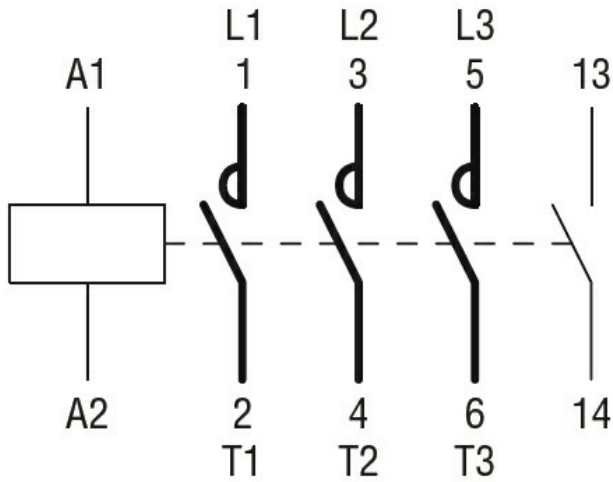
Pollution degree

3

Dimensions



Wiring diagrams



Certifications and compliance

Certifications

CSA C22.2 n° 60947-1

CSA C22.2 n° 60947-4-1

IEC/EN 60947-1

IEC/EN 60947-4-1

UL 60947-1

UL 60947-4-1

Compliance

CCC

cULus

EAC

ETIM 6 classification

EC000066 - Power contactor, AC switching