



Product designation				Power contactor
Product type designation				BF25
Contact characteristics				
Number of poles	nr.			3
Rated insulation voltage U_i	V			690
Rated impulse withstand voltage U_{imp}	kV			6
Operating frequency	Operational frequency min	Hz	25	
	Operational frequency max	Hz	400	
	Conventional free air thermal current I_{th}	A	32	
Operating current	Operational current AC1 ($\leq 40^\circ\text{C}$)	A	32	
	Operational current AC3 ($\leq 440\text{V} \leq 55^\circ\text{C}$)	A	25	
	Operational current AC4 (400V)	A	10	
Rated operational power AC1 ($T \leq 40^\circ\text{C}$)	230V	kW	12	
	400V	kW	21	
	500V	kW	26	
	690V	kW	36	
Rated operational power AC3 ($T \leq 55^\circ\text{C}$)	230V	kW	7	
	400V	kW	12.5	
	415V	kW	13.4	
	440V	kW	13.4	
	500V	kW	15	
	690V	kW	11	
Short-time allowable current for 10s (IEC/EN60947-1)	A	200		
Protection fuse	gG (IEC)	A	50	
	aM (IEC)	A	25	
Making capacity (RMS value)	A	250		
Breaking capacity at voltage	Breaking capacity 440V	A	200	
	Breaking capacity 500V	A	184	
	Breaking capacity 690V	A	102	
Resistance per pole (average value)	m Ω	2.5		
Power dissipation per pole (average value)	Power dissipation pole (average value) I_{th}	W	2.6	
	AC3	W	1.6	
Tightening torque for terminals	min	Nm	1.5	
	max	Nm	1.8	
	min	lbft	1.1	
	max	lbft	1.5	
Tightening torque for coil terminal				

	min	Nm	0.8
	max	Nm	1
	min	lbft	0.8
	max	lbft	0.74
max number of wires simultaneously connectable		nr.	2
Conductor section	AWG		
	min		16
	max		10
Flexible w/o lug conductor section	min	mm ²	1
	max	mm ²	6
Flexible c/w lug conductor section	min	mm ²	1
	max	mm ²	4
Flexible with insulated spade lug conductor section	min	mm ²	1
	max	mm ²	4
Power terminal protection according to IEC/EN 60529	IP20 when wired		
Auxiliary contact characteristics			
Type of contact	1 NO		
Thermal current I _{th}	A	10	
IEC/EN 60947-5-1 designation	A600 - P600		
Operational current AC1 (≤40°C)	A	32	
Operating current AC15	230V	A	3
	400V	A	1.9
	500V	A	1.4
Operating current DC12	110V	A	5.7
Operating current DC13	24V	A	5.7
	48V	A	2.9
	60V	A	2.3
	110V	A	Screw / DIN rail 35mm
	125V	A	0.6
	220V	A	0.2
	600V	A	1.2
Ambient conditions			
Temperature	Operating temperature		
	min	°C	-50
	max	°C	70
	Storage temperature		
	min	°C	-60
	max	°C	80
Max altitude		m	3000
Operating position	normal allowable	Vertical plan ±30°	
Mounting	Screw / DIN rail 35mm		
Weight		g	0.5

Operations

Mechanical life	Cycles	20000000
Electrical life	Cycles	1200000

Safety related data

Performance level B10d according to EN/ISO 13489-1

	rated load	Cicli	1200000
	mechanical load	Cicli	20000000
Mirror contats according to IEC/EN 609474-4-1			yes
EMC compatibility			yes

DC coil operating

DC rated control voltage

	min	V	6
DC operating voltage			
pick-up	min	%Us	0.7
	max	%Us	1.25
drop-out	min	%Us	0.1
	max	%Us	0.40

Average coil consupcion $\leq 20^{\circ}\text{C}$

in-rush	W	5.4
holding	W	5.4

Max cycles frequency

Mechanical operations	Cycles/h	3600
-----------------------	----------	------

Operating times

Average time for Us control

in AC

Closing NC

min	ms	14
max	ms	28

Opening NC

min	ms	7
max	ms	18

in DC

Closing NO

min	ms	54
max	ms	66

Opening NO

min	ms	14
max	ms	17

UL technical data

Full-load current (FLA) for three-phase AC motor

at 480V	A	21
at 600V	A	17

Yielded mechanical performance

for single-phase AC motor

at 110/120V	hp	2
at 230V	hp	3

for three-phase AC motor

at 200/208V	hp	7.5
at 220/230V	hp	7.5
at 460/480V	hp	15
at 575/600V	hp	15

Contact rating of auxiliary contacts according to UL
General USE

A600 - P600

Contactor

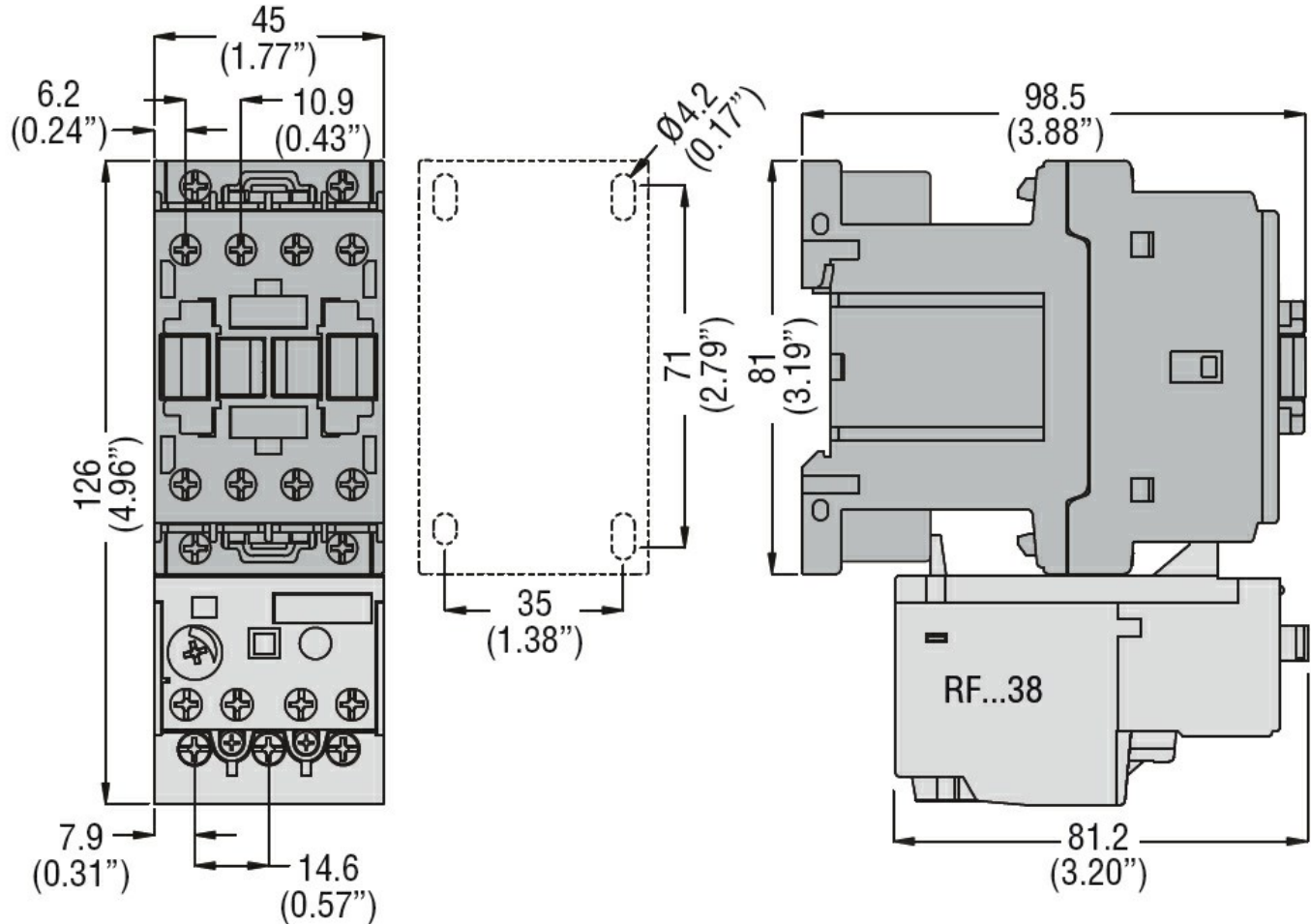
AC current A 32

Other features

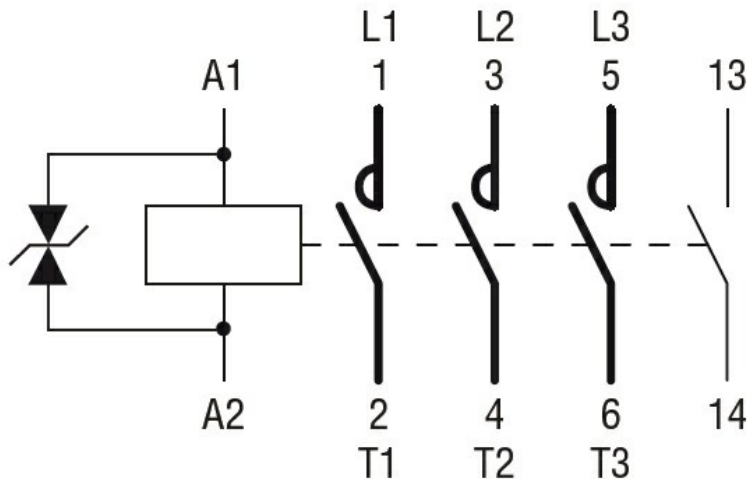
Pollution degree

3

Dimensions



Wiring diagrams



Certifications and compliance

Certifications

CSA C22.2 n° 60947-1

CSA C22.2 n° 60947-4-1

IEC/EN 60947-1

IEC/EN 60947-4-1

UL 60947-1

UL 60947-4-1

Compliance

CCC

cULus

EAC

ETIM 6 classification

EC000066 - Power contactor, AC switching