



Product designation				Power contactor
Product type designation				BF26
Contact characteristics				
Number of poles	nr.	3		
Rated insulation voltage U_i	V	690		
Rated impulse withstand voltage U_{imp}	kV	6		
Operating frequency	Operational frequency min	Hz	25	
	Operational frequency max	Hz	400	
	Conventional free air thermal current I_{th}	A	45	
Operating current	Operational current AC1 ($\leq 40^\circ\text{C}$)	A	45	
	Operational current AC3 ($\leq 440\text{V} \leq 55^\circ\text{C}$)	A	26	
	Operational current AC4 (400V)	A	11.5	
Rated operational power AC1 ($T \leq 40^\circ\text{C}$)	230V	kW	17	
	400V	kW	30	
	500V	kW	37	
	690V	kW	51	
Rated operational power AC3 ($T \leq 55^\circ\text{C}$)	230V	kW	7.3	
	400V	kW	13	
	415V	kW	14	
	440V	kW	14	
	500V	kW	15.6	
	690V	kW	18.5	
Short-time allowable current for 10s (IEC/EN60947-1)	A	210		
Protection fuse	gG (IEC)	A	50	
	aM (IEC)	A	32	
Making capacity (RMS value)	A	260		
Breaking capacity at voltage	Breaking capacity 440V	A	208	
	Breaking capacity 500V	A	184	
	Breaking capacity 690V	A	168	
Resistance per pole (average value)	m Ω	2		
Power dissipation per pole (average value)	Power dissipation pole (average value) I_{th}	W	4	
	AC3	W	1.4	
Tightening torque for terminals	min	Nm	2.5	
	max	Nm	3	
	min	lbft	1.8	
	max	lbft	2.2	
Tightening torque for coil terminal				

		min	Nm	0.8
		max	Nm	1
		min	lbft	0.8
		max	lbft	0.74
<hr/>				
max number of wires simultaneously connectable			nr.	2
<hr/>				
Conductor section				
AWG				
		min		14
		max		6
<hr/>				
Flexible w/o lug conductor section				
		min	mm ²	2.5
		max	mm ²	16
<hr/>				
Flexible c/w lug conductor section				
		min	mm ²	1
		max	mm ²	10
<hr/>				
Flexible with insulated spade lug conductor section				
		min	mm ²	1
		max	mm ²	10
<hr/>				
Power terminal protection according to IEC/EN 60529				IP20 when wired
Auxiliary contact characteristics				
Operational current AC1 ($\leq 40^{\circ}\text{C}$)				A 45
<hr/>				
Operating current DC13				110V A Screw / DIN rail 35mm
Ambient conditions				
Temperature				
Operating temperature				
		min	$^{\circ}\text{C}$	-50
		max	$^{\circ}\text{C}$	70
<hr/>				
Storage temperature				
		min	$^{\circ}\text{C}$	-60
		max	$^{\circ}\text{C}$	80
<hr/>				
Max altitude				m 3000
<hr/>				
Operating position				normal Vertical plan allowable $\pm 30^{\circ}$
<hr/>				
Mounting				Screw / DIN rail 35mm
<hr/>				
Weight				g 0.429
Operations				
Mechanical life				Cycles 20000000
<hr/>				
Electrical life				Cycles 1600000
Safety related data				
Performance level B10d according to EN/ISO 13489-1				
		rated load	Cicli	1600000
		mechanical load	Cicli	20000000
<hr/>				
Mirror contacts according to IEC/EN 60947-4-1				yes
<hr/>				
EMC compatibility				yes
AC coil operating				
AC operating voltage				
of 50/60Hz coil powered at 50Hz				
pick-up				
		min	%Us	0.8

		max	%Us	1.1
	drop-out	min	%Us	0.2
		max	%Us	0.55
of 50/60Hz coil powered at 60Hz				
	pick-up	min	%Us	0.85
		max	%Us	1.1
	drop-out	min	%Us	0.2
		max	%Us	0.55
of 60Hz coil powered at 60Hz				
	pick-up	min	%Us	0.8
		max	%Us	1.1
	drop-out	min	%Us	0.2
		max	%Us	0.55
AC operating voltage				
of 50/60Hz coil powered at 50Hz				
		in-rush	VA	75
		holding	VA	9
of 50/60Hz coil powered at 60Hz				
		in-rush	VA	70
		holding	VA	6.5
of 60Hz coil powered at 60Hz				
		in-rush	VA	75
		holding	VA	9
Dissipation at holding $\leq 20^{\circ}\text{C}$ 50Hz			W	2.5
Max cycles frequency				
Mechanical operations			Cycles/h	3600
Operating times				
Average time for Us control in AC				
	Closing NO	min	ms	8
		max	ms	24
	Opening NO	min	ms	5
		max	ms	15
UL technical data				
Full-load current (FLA) for three-phase AC motor				
		at 480V	A	21
		at 600V	A	22
Yielded mechanical performance				
for single-phase AC motor				
		at 110/120V	hp	2
		at 230V	hp	5
for three-phase AC motor				
		at 200/208V	hp	7.5
		at 220/230V	hp	7.5
		at 460/480V	hp	15
		at 575/600V	hp	20
General USE				

Contactor

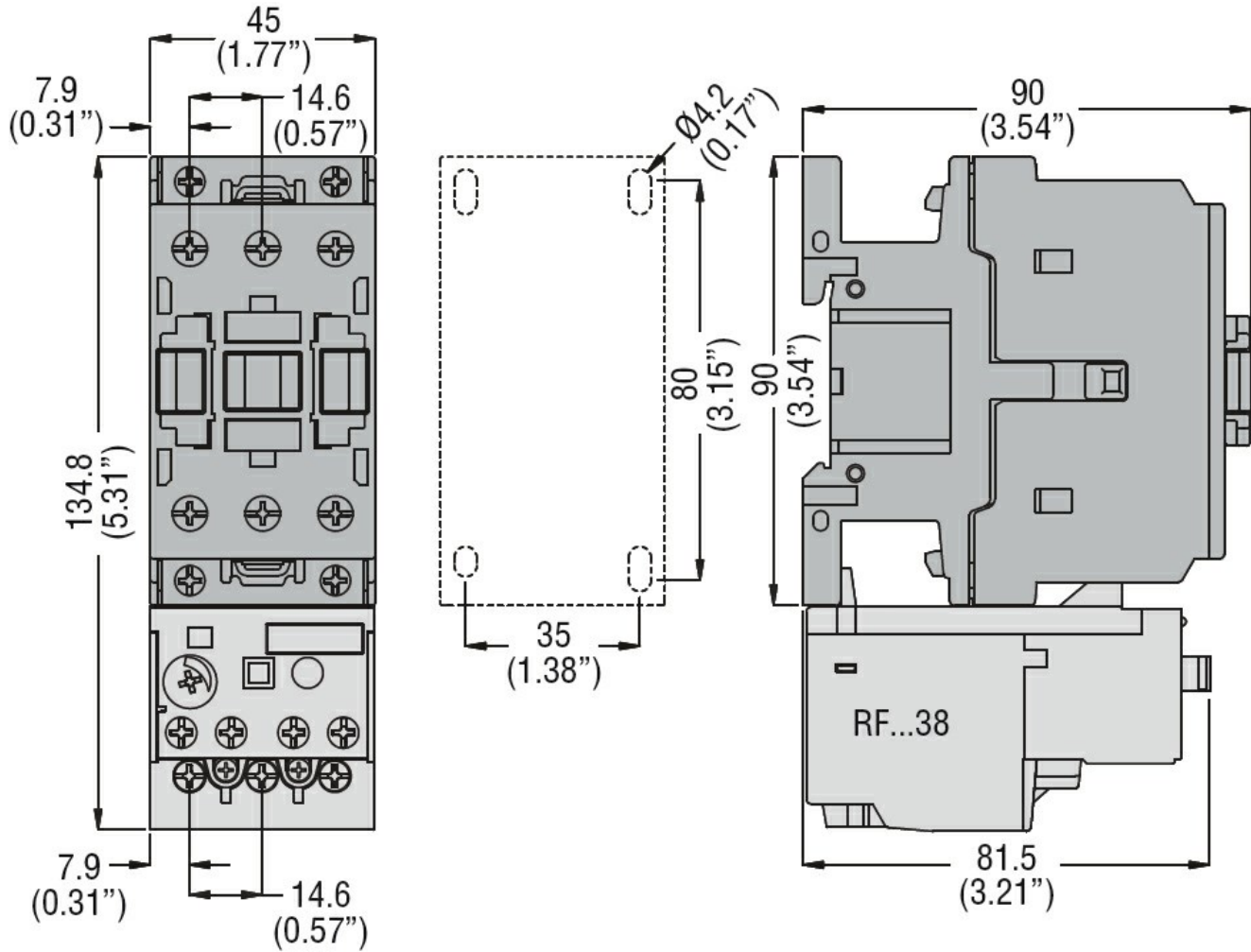
AC current A 32

Other features

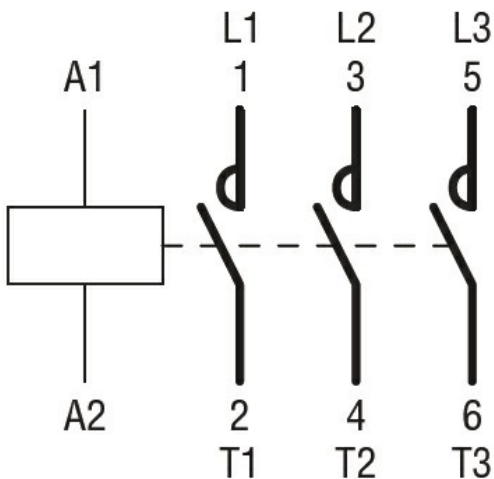
Pollution degree 3

3

Dimensions



Wiring diagrams



Certifications and compliance

Certifications

CSA C22.2 n° 60947-1

CSA C22.2 n° 60947-4-1

IEC/EN 60947-1

IEC/EN 60947-4-1

UL 60947-1

UL 60947-4-1

Compliance

CCC

cULus

EAC

ETIM 6 classification

EC000066 - Power contactor, AC switching