



Product designation				Power contactor
Product type designation				BF26
Contact characteristics				
Number of poles	nr.	3		
Rated insulation voltage U_i	V	690		
Rated impulse withstand voltage U_{imp}	kV	6		
Operating frequency	Operational frequency min	Hz	25	
	Operational frequency max	Hz	400	
	Conventional free air thermal current I_{th}	A	45	
Operating current	Operational current AC1 ($\leq 40^\circ\text{C}$)	A	45	
	Operational current AC3 ($\leq 440\text{V} \leq 55^\circ\text{C}$)	A	26	
	Operational current AC4 (400V)	A	11.5	
Rated operational power AC1 ($T \leq 40^\circ\text{C}$)	230V	kW	17	
	400V	kW	30	
	500V	kW	37	
	690V	kW	51	
Rated operational power AC3 ($T \leq 55^\circ\text{C}$)	230V	kW	7.3	
	400V	kW	13	
	415V	kW	14	
	440V	kW	14	
	500V	kW	15.6	
	690V	kW	18.5	
Short-time allowable current for 10s (IEC/EN60947-1)	A	210		
Protection fuse	gG (IEC)	A	50	
	aM (IEC)	A	32	
Making capacity (RMS value)	A	260		
Breaking capacity at voltage	Breaking capacity 440V	A	208	
	Breaking capacity 500V	A	184	
	Breaking capacity 690V	A	168	
Resistance per pole (average value)	m Ω	2		
Power dissipation per pole (average value)	Power dissipation pole (average value) I_{th}	W	4	
	AC3	W	1.4	
Tightening torque for terminals	min	Nm	2.5	
	max	Nm	3	
	min	lbft	1.8	
	max	lbft	2.2	
Tightening torque for coil terminal				

		min	Nm	0.8
		max	Nm	1
		min	lbft	0.8
		max	lbft	0.74
<hr/>				
max number of wires simultaneously connectable			nr.	2
<hr/>				
Conductor section	AWG			
		min		14
		max		6
<hr/>				
Flexible w/o lug conductor section		min	mm ²	2.5
		max	mm ²	16
<hr/>				
Flexible c/w lug conductor section		min	mm ²	1
		max	mm ²	10
<hr/>				
Flexible with insulated spade lug conductor section		min	mm ²	1
		max	mm ²	10
<hr/>				
Power terminal protection according to IEC/EN 60529				IP20 when wired
<hr/>				
Auxiliary contact characteristics				
Operational current AC1 (≤40°C)			A	45
<hr/>				
Operating current DC13		110V	A	Screw / DIN rail 35mm
<hr/>				
Ambient conditions				
Temperature				
	Operating temperature			
		min	°C	-50
		max	°C	70
<hr/>				
	Storage temperature			
		min	°C	-60
		max	°C	80
<hr/>				
Max altitude			m	3000
<hr/>				
Operating position		normal allowable		Vertical plan ±30°
<hr/>				
Mounting				Screw / DIN rail 35mm
<hr/>				
Weight			g	0.556
<hr/>				
Operations				
Mechanical life			Cycles	20000000
<hr/>				
Electrical life			Cycles	1600000
<hr/>				
Safety related data				
Performance level B10d according to EN/ISO 13489-1				
		rated load mechanical load	Cicli Cicli	1600000 20000000
<hr/>				
Mirror contacts according to IEC/EN 60947-4-1				yes
<hr/>				
EMC compatibility				yes
<hr/>				
DC coil operating				
DC rated control voltage				
		min	V	6
<hr/>				
DC operating voltage	pick-up			

	min	%Us	0.7
	max	%Us	1.25
drop-out	min	%Us	0.1
	max	%Us	0.40

Average coil consumption $\leq 20^{\circ}\text{C}$

in-rush	W	5.4
holding	W	5.4

Max cycles frequency

Mechanical operations	Cycles/h	3600
-----------------------	----------	------

Operating times

Average time for Us control

in AC

Closing NO

min	ms	8
max	ms	24

Opening NO

min	ms	5
max	ms	15

in DC

Closing NO

min	ms	54
max	ms	66

Opening NO

min	ms	14
max	ms	17

UL technical data

Full-load current (FLA) for three-phase AC motor

at 480V	A	21
at 600V	A	22

Yielded mechanical performance

for single-phase AC motor

at 110/120V	hp	2
at 230V	hp	5

for three-phase AC motor

at 200/208V	hp	7.5
at 220/230V	hp	7.5
at 460/480V	hp	15
at 575/600V	hp	20

General USE

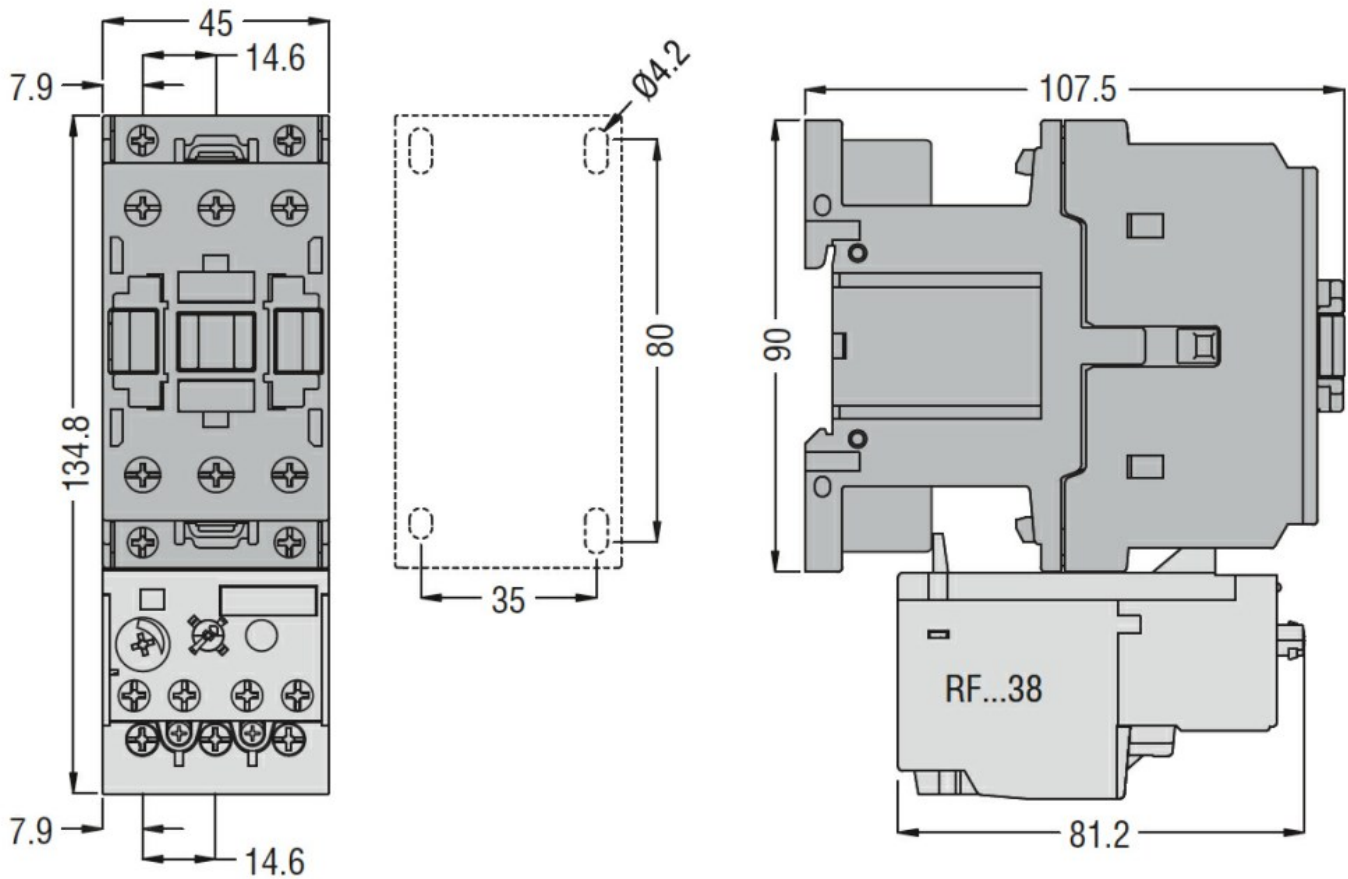
Contactor

AC current	A	32
------------	---	----

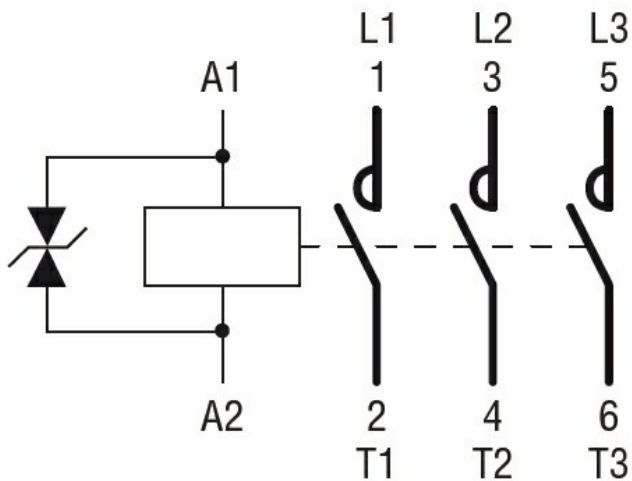
Other features

Pollution degree	3
------------------	---

Dimensions



Wiring diagrams



Certifications and compliance

Certifications

- CSA C22.2 n° 60947-1
- CSA C22.2 n° 60947-4-1
- IEC/EN 60947-1
- IEC/EN 60947-4-1
- UL 60947-1
- UL 60947-4-1

Compliance

CCC

cULus

EAC

ETIM 6 classification

EC000066 - Power contactor, AC switching