



Product designation				Power contactor
Product type designation				BF26
<b>Contact characteristics</b>				
Number of poles	nr.			3
Rated insulation voltage $U_i$	V			690
Rated impulse withstand voltage $U_{imp}$	kV			6
Operating frequency	Operational frequency min	Hz	25	
	Operational frequency max	Hz	400	
	Conventional free air thermal current $I_{th}$	A	45	
Operating current	Operational current AC1 ( $\leq 40^\circ\text{C}$ )	A	45	
	Operational current AC3 ( $\leq 440\text{V} \leq 55^\circ\text{C}$ )	A	26	
	Operational current AC4 (400V)	A	11.5	
Rated operational power AC1 ( $T \leq 40^\circ\text{C}$ )	230V	kW	17	
	400V	kW	30	
	500V	kW	37	
	690V	kW	51	
Rated operational power AC3 ( $T \leq 55^\circ\text{C}$ )	230V	kW	7.3	
	400V	kW	13	
	415V	kW	14	
	440V	kW	14	
	500V	kW	15.6	
	690V	kW	18.5	
Short-time allowable current for 10s (IEC/EN60947-1)	A	210		
Protection fuse	gG (IEC)	A	50	
	aM (IEC)	A	32	
Making capacity (RMS value)	A	260		
Breaking capacity at voltage	Breaking capacity 440V	A	208	
	Breaking capacity 500V	A	184	
	Breaking capacity 690V	A	168	
Resistance per pole (average value)	$m\Omega$	2		
Power dissipation per pole (average value)	Power dissipation pole (average value) $I_{th}$	W	4	
	AC3	W	1.4	
Tightening torque for terminals	min	Nm	2.5	
	max	Nm	3	
	min	lbft	1.8	
	max	lbft	2.2	
Tightening torque for coil terminal				

		min	Nm	0.8
		max	Nm	1
		min	lbft	0.8
		max	lbft	0.74
<hr/>				
max number of wires simultaneously connectable			nr.	2
<hr/>				
Conductor section				
AWG				
		min		14
		max		6
<hr/>				
Flexible w/o lug conductor section				
		min	mm <sup>2</sup>	2.5
		max	mm <sup>2</sup>	16
<hr/>				
Flexible c/w lug conductor section				
		min	mm <sup>2</sup>	1
		max	mm <sup>2</sup>	10
<hr/>				
Flexible with insulated spade lug conductor section				
		min	mm <sup>2</sup>	1
		max	mm <sup>2</sup>	10
<hr/>				
Power terminal protection according to IEC/EN 60529				IP20 when wired
<b>Auxiliary contact characteristics</b>				
Operational current AC1 (≤40°C)				A 45
<hr/>				
Operating current DC13				110V A Screw / DIN rail 35mm
<b>Ambient conditions</b>				
Temperature				
Operating temperature				
		min	°C	-50
		max	°C	70
<hr/>				
Storage temperature				
		min	°C	-60
		max	°C	80
<hr/>				
Max altitude				m 3000
<hr/>				
Operating position				normal Vertical plan allowable ±30°
<hr/>				
Mounting				Screw / DIN rail 35mm
<hr/>				
Weight				g 0.56
<b>Operations</b>				
Mechanical life				Cycles 20000000
<hr/>				
Electrical life				Cycles 1600000
<b>Safety related data</b>				
Performance level B10d according to EN/ISO 13489-1				
		rated load	Cicli	1600000
		mechanical load	Cicli	20000000
<hr/>				
Mirror contacts according to IEC/EN 60947-4-1				yes
<hr/>				
EMC compatibility				yes
<b>DC coil operating</b>				
DC rated control voltage				
		min	V	6
<hr/>				
DC operating voltage				
pick-up				

	min	%Us	0.8
	max	%Us	1.10
drop-out	min	%Us	0.1
	max	%Us	0.40

Average coil consumption  $\leq 20^{\circ}\text{C}$

in-rush	W	2.4
holding	W	2.4

**Max cycles frequency**

Mechanical operations	Cycles/h	3600
-----------------------	----------	------

**Operating times**

Average time for Us control

in AC

Closing NO

min	ms	8
max	ms	24

Opening NO

min	ms	5
max	ms	15

in DC

Closing NO

min	ms	76
max	ms	92

Opening NO

min	ms	16
max	ms	20

**UL technical data**

Full-load current (FLA) for three-phase AC motor

at 480V	A	21
at 600V	A	22

Yielded mechanical performance

for single-phase AC motor

at 110/120V	hp	2
at 230V	hp	5

for three-phase AC motor

at 200/208V	hp	7.5
at 220/230V	hp	7.5
at 460/480V	hp	15
at 575/600V	hp	20

General USE

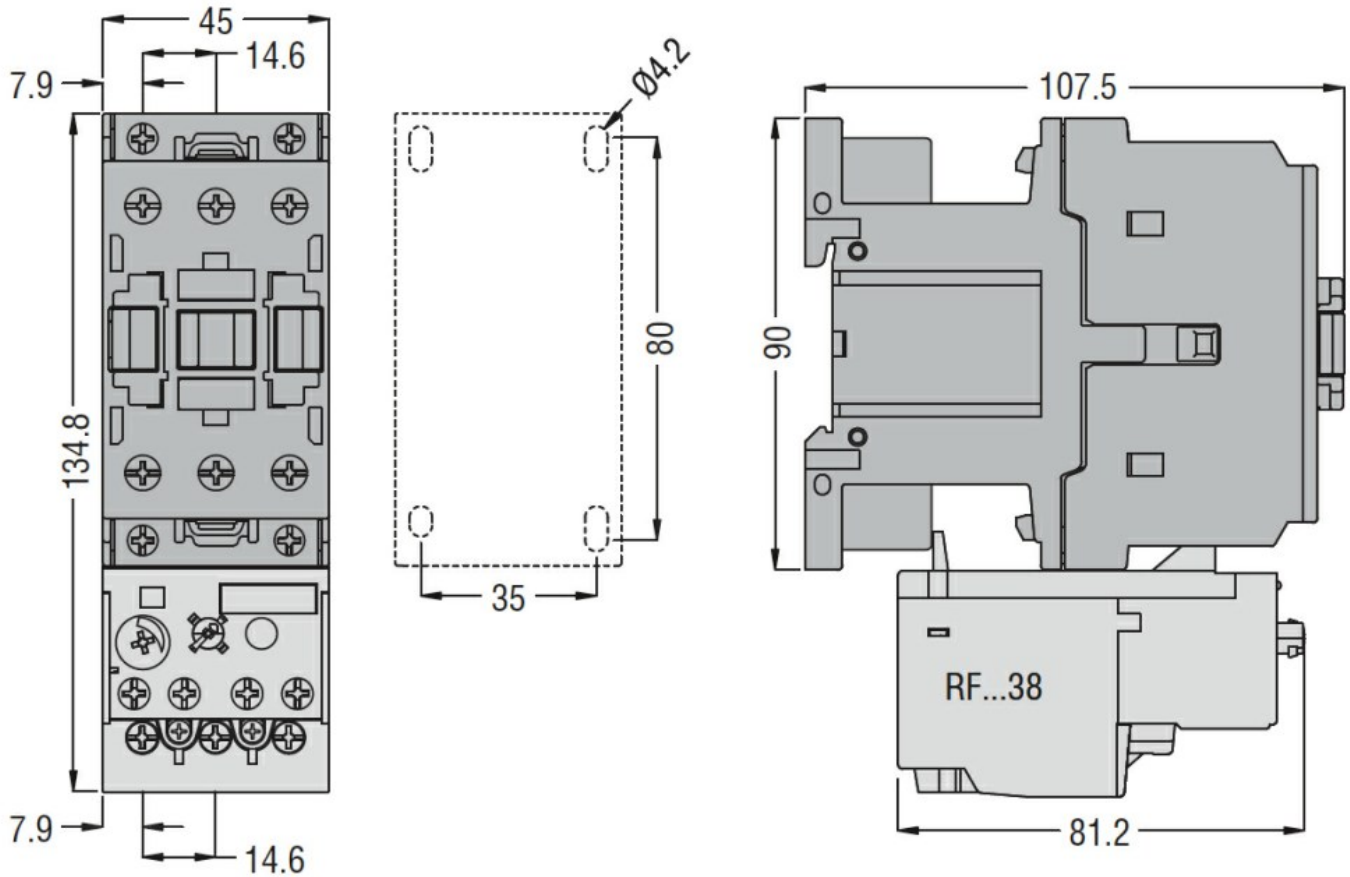
Contactor

AC current	A	32
------------	---	----

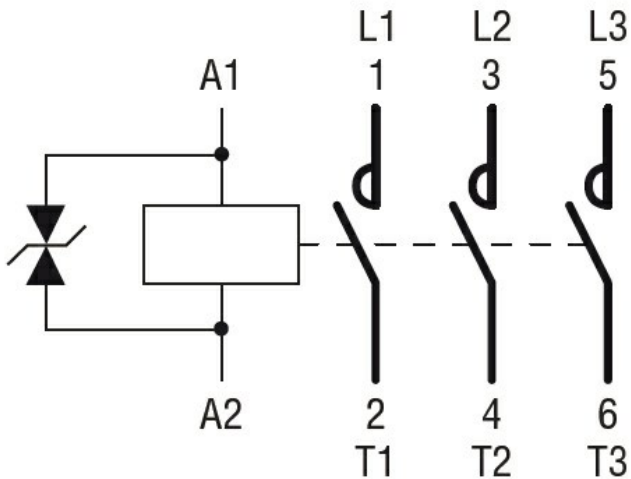
**Other features**

Pollution degree	3
------------------	---

**Dimensions**



Wiring diagrams



Certifications and compliance

Certifications

- CSA C22.2 n° 60947-1
- CSA C22.2 n° 60947-4-1
- IEC/EN 60947-1
- IEC/EN 60947-4-1
- UL 60947-1
- UL 60947-4-1

Compliance

CCC

---

cULus

---

EAC

ETIM 6 classification

EC000066 - Power contactor, AC switching