



Product designation  
Product type designation

Power contactor  
BF32

**Contact characteristics**

Number of poles	nr.	3
Rated insulation voltage $U_i$	V	690
Rated impulse withstand voltage $U_{imp}$	kV	6
Operating frequency	Operational frequency min	Hz 25
	Operational frequency max	Hz 400
Conventional free air thermal current $I_{th}$	A	56
Operating current	Operational current AC1 ( $\leq 40^\circ\text{C}$ )	A 56
	Operational current AC3 ( $\leq 440\text{V} \leq 55^\circ\text{C}$ )	A 32
	Operational current AC4 (400V)	A 13.5
Rated operational power AC1 ( $T \leq 40^\circ\text{C}$ )	230V	kW 21
	400V	kW 36
	500V	kW 45
	690V	kW 62
Rated operational power AC3 ( $T \leq 55^\circ\text{C}$ )	230V	kW 8.8
	400V	kW 16
	415V	kW 17
	440V	kW 17
	500V	kW 20
	690V	kW 22
Short-time allowable current for 10s (IEC/EN60947-1)	A	320
Protection fuse	gG (IEC)	A 63
	aM (IEC)	A 32
Making capacity (RMS value)	A	320
Breaking capacity at voltage	Breaking capacity 440V	A 256
	Breaking capacity 500V	A 240
	Breaking capacity 690V	A 192
Resistance per pole (average value)	m $\Omega$	2
Power dissipation per pole (average value)	Power dissipation pole (average value) $I_{th}$	W 6
	AC3	W 2
Tightening torque for terminals	min	Nm 2.5
	max	Nm 3
	min	lbft 1.8
	max	lbft 2.2
Tightening torque for coil terminal		

	min	Nm	0.8
	max	Nm	1
	min	lbft	0.8
	max	lbft	0.74
max number of wires simultaneously connectable		nr.	2
Conductor section			
AWG	min		14
	max		6
Flexible w/o lug conductor section	min	mm <sup>2</sup>	2.5
	max	mm <sup>2</sup>	16
Flexible c/w lug conductor section	min	mm <sup>2</sup>	1
	max	mm <sup>2</sup>	10
Flexible with insulated spade lug conductor section	min	mm <sup>2</sup>	1
	max	mm <sup>2</sup>	10
Power terminal protection according to IEC/EN 60529			IP20 when wired
<b>Auxiliary contact characteristics</b>			
Operational current AC1 (≤40°C)		A	56
Operating current DC13	110V	A	Screw / DIN rail 35mm
<b>Ambient conditions</b>			
Temperature			
Operating temperature	min	°C	-50
	max	°C	70
Storage temperature	min	°C	-60
	max	°C	80
Max altitude		m	3000
Operating position	normal allowable		Vertical plan ±30°
Mounting			Screw / DIN rail 35mm
Weight		g	0.432
<b>Operations</b>			
Mechanical life		Cycles	20000000
Electrical life		Cycles	1600000
<b>Safety related data</b>			
Performance level B10d according to EN/ISO 13489-1	rated load mechanical load	Cicli	1600000
		Cicli	20000000
Mirror contacts according to IEC/EN 60947-4-1			yes
EMC compatibility			yes
<b>AC coil operating</b>			
AC operating voltage			
of 50/60Hz coil powered at 50Hz pick-up	min	%Us	0.8

		max	%Us	1.1	
	drop-out	min	%Us	0.2	
		max	%Us	0.55	
of 50/60Hz coil powered at 60Hz					
	pick-up	min	%Us	0.85	
		max	%Us	1.1	
	drop-out	min	%Us	0.2	
		max	%Us	0.55	
of 60Hz coil powered at 60Hz					
	pick-up	min	%Us	0.8	
		max	%Us	1.1	
	drop-out	min	%Us	0.2	
		max	%Us	0.55	
<b>AC operating voltage</b>					
of 50/60Hz coil powered at 50Hz					
		in-rush	VA	75	
		holding	VA	9	
of 50/60Hz coil powered at 60Hz					
		in-rush	VA	70	
		holding	VA	6.5	
of 60Hz coil powered at 60Hz					
		in-rush	VA	75	
		holding	VA	9	
Dissipation at holding $\leq 20^{\circ}\text{C}$ 50Hz					
			W	2.5	
<b>Max cycles frequency</b>					
Mechanical operations				Cycles/h	3600
<b>Operating times</b>					
Average time for Us control					
in AC					
Closing NO					
		min	ms	8	
		max	ms	24	
Opening NO					
		min	ms	5	
		max	ms	15	
<b>UL technical data</b>					
Full-load current (FLA) for three-phase AC motor					
		at 480V	A	27	
		at 600V	A	27	
Yielded mechanical performance					
for single-phase AC motor					
		at 110/120V	hp	3	
		at 230V	hp	7.5	
for three-phase AC motor					
		at 200/208V	hp	10	
		at 220/230V	hp	10	
		at 460/480V	hp	20	
		at 575/600V	hp	25	
<b>General USE</b>					

Contactor

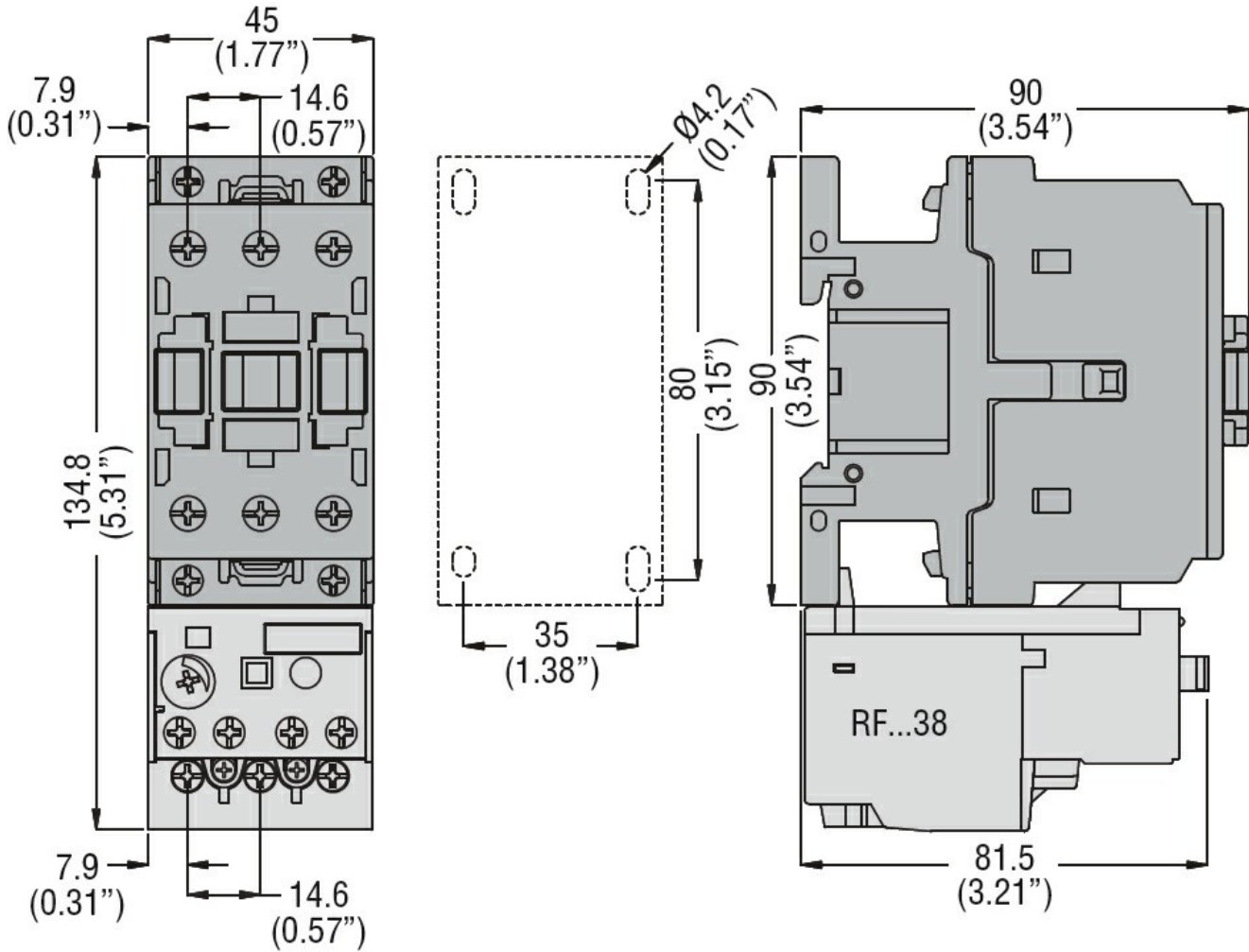
AC current A 32

Other features

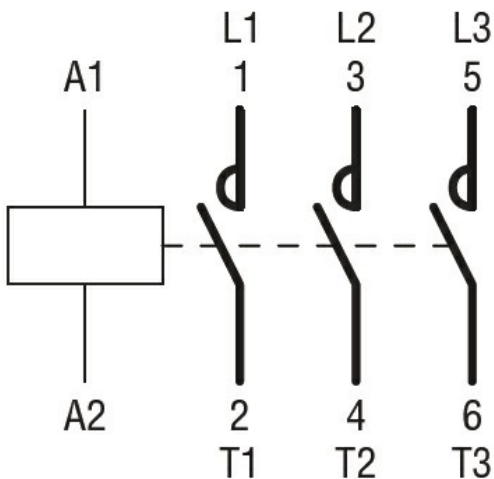
Pollution degree 3

3

Dimensions



Wiring diagrams



Certifications and compliance

Certifications

CSA C22.2 n° 60947-1

CSA C22.2 n° 60947-4-1

IEC/EN 60947-1

IEC/EN 60947-4-1

UL 60947-1

UL 60947-4-1

Compliance

CCC

cULus

EAC

ETIM 6 classification

EC000066 - Power contactor, AC switching