



Power contactor
BF32

Product designation

Product type designation

Contact characteristics

Number of poles	nr.	3
Rated insulation voltage U_i	V	690
Rated impulse withstand voltage U_{imp}	kV	6
Operating frequency	Operational frequency min	Hz 25
	Operational frequency max	Hz 400
Conventional free air thermal current I_{th}	A	56
Operating current	Operational current AC1 ($\leq 40^\circ\text{C}$)	A 56
	Operational current AC3 ($\leq 440\text{V} \leq 55^\circ\text{C}$)	A 32
	Operational current AC4 (400V)	A 13.5
Rated operational power AC1 ($T \leq 40^\circ\text{C}$)	230V	kW 21
	400V	kW 36
	500V	kW 45
	690V	kW 62
Rated operational power AC3 ($T \leq 55^\circ\text{C}$)	230V	kW 8.8
	400V	kW 16
	415V	kW 17
	440V	kW 17
	500V	kW 20
	690V	kW 22
Short-time allowable current for 10s (IEC/EN60947-1)	A	320
Protection fuse	gG (IEC)	A 63
	aM (IEC)	A 32
Making capacity (RMS value)	A	320
Breaking capacity at voltage	Breaking capacity 440V	A 256
	Breaking capacity 500V	A 240
	Breaking capacity 690V	A 192
Resistance per pole (average value)	m Ω	2
Power dissipation per pole (average value)	Power dissipation pole (average value) I_{th}	W 6
	AC3	W 2
Tightening torque for terminals	min	Nm 2.5
	max	Nm 3
	min	lbft 1.8
	max	lbft 2.2
Tightening torque for coil terminal		

		min	Nm	0.8
		max	Nm	1
		min	lbft	0.8
		max	lbft	0.74
<hr/>				
max number of wires simultaneously connectable			nr.	2
<hr/>				
Conductor section	AWG			
		min		14
		max		6
<hr/>				
Flexible w/o lug conductor section		min	mm ²	2.5
		max	mm ²	16
<hr/>				
Flexible c/w lug conductor section		min	mm ²	1
		max	mm ²	10
<hr/>				
Flexible with insulated spade lug conductor section		min	mm ²	1
		max	mm ²	10
<hr/>				
Power terminal protection according to IEC/EN 60529				IP20 when wired
<hr/>				
Auxiliary contact characteristics				
Operational current AC1 (≤40°C)			A	56
<hr/>				
Operating current DC13		110V	A	Screw / DIN rail 35mm
<hr/>				
Ambient conditions				
Temperature				
	Operating temperature			
		min	°C	-50
		max	°C	70
<hr/>				
	Storage temperature			
		min	°C	-60
		max	°C	80
<hr/>				
Max altitude			m	3000
<hr/>				
Operating position		normal allowable		Vertical plan ±30°
<hr/>				
Mounting				Screw / DIN rail 35mm
<hr/>				
Weight			g	0.424
<hr/>				
Operations				
Mechanical life			Cycles	20000000
<hr/>				
Electrical life			Cycles	1600000
<hr/>				
Safety related data				
Performance level B10d according to EN/ISO 13489-1				
		rated load mechanical load	Cicli Cicli	1600000 20000000
<hr/>				
Mirror contacts according to IEC/EN 60947-4-1				yes
<hr/>				
EMC compatibility				yes
<hr/>				
AC coil operating				
AC operating voltage				
	of 50/60Hz coil powered at 50Hz pick-up			
		min	%Us	0.8

		max	%Us	1.1
	drop-out	min	%Us	0.2
		max	%Us	0.55
of 50/60Hz coil powered at 60Hz				
	pick-up	min	%Us	0.85
		max	%Us	1.1
	drop-out	min	%Us	0.2
		max	%Us	0.55
of 60Hz coil powered at 60Hz				
	pick-up	min	%Us	0.8
		max	%Us	1.1
	drop-out	min	%Us	0.2
		max	%Us	0.55
AC operating voltage				
of 50/60Hz coil powered at 50Hz				
		in-rush	VA	75
		holding	VA	9
of 50/60Hz coil powered at 60Hz				
		in-rush	VA	70
		holding	VA	6.5
of 60Hz coil powered at 60Hz				
		in-rush	VA	75
		holding	VA	9
Dissipation at holding $\leq 20^{\circ}\text{C}$ 50Hz			W	2.5
Max cycles frequency				
Mechanical operations			Cycles/h	3600
Operating times				
Average time for Us control				
in AC				
Closing NO				
		min	ms	8
		max	ms	24
Opening NO				
		min	ms	5
		max	ms	15
UL technical data				
Full-load current (FLA) for three-phase AC motor				
		at 480V	A	27
		at 600V	A	27
Yielded mechanical performance				
for single-phase AC motor				
		at 110/120V	hp	3
		at 230V	hp	7.5
for three-phase AC motor				
		at 200/208V	hp	10
		at 220/230V	hp	10
		at 460/480V	hp	20
		at 575/600V	hp	25
General USE				

Contactor

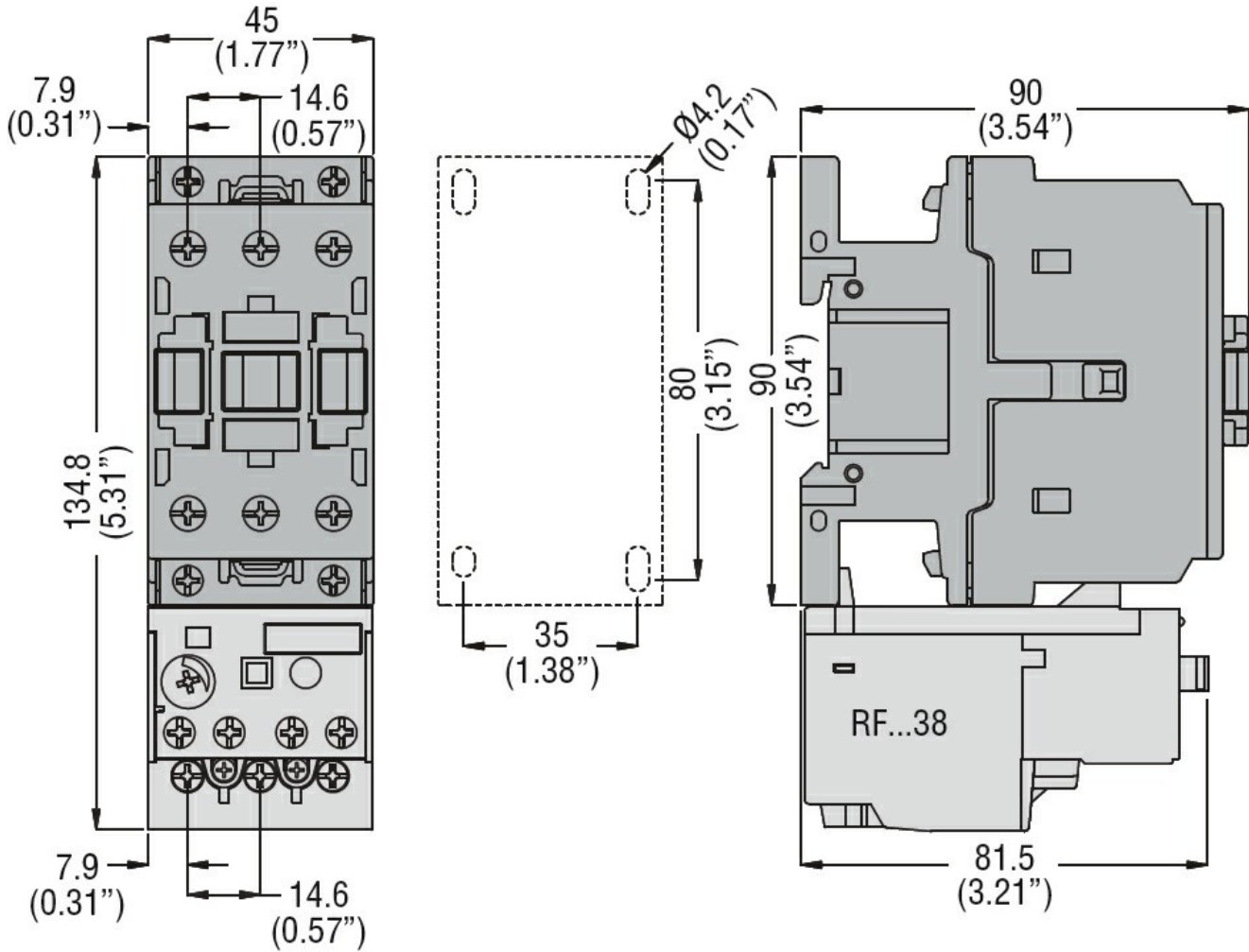
AC current A 32

Other features

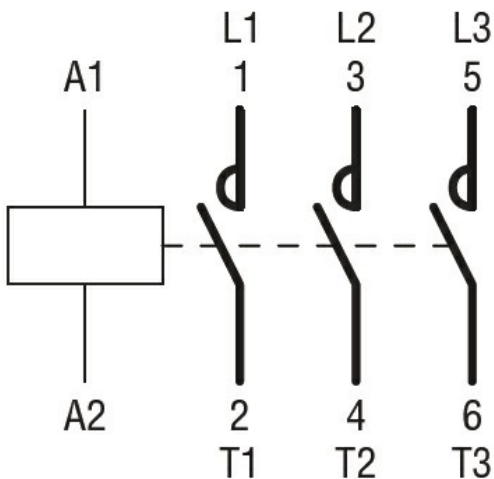
Pollution degree 3

3

Dimensions



Wiring diagrams



Certifications and compliance

Certifications

CSA C22.2 n° 60947-1

CSA C22.2 n° 60947-4-1

IEC/EN 60947-1

IEC/EN 60947-4-1

UL 60947-1

UL 60947-4-1

Compliance

CCC

cULus

EAC

ETIM 6 classification

EC000066 - Power contactor, AC switching