



Product designation				Power contactor
Product type designation				BF40
Contact characteristics				
Number of poles	nr.			4
Rated insulation voltage U _i	V			1000
Rated impulse withstand voltage U _{imp}	kV			8
Operating frequency	Operational frequency min	Hz	25	
	Operational frequency max	Hz	400	
	Conventional free air thermal current I _{th}	A	70	
Operating current	Operational current AC1 (≤40°C)	A	70	
	Operational current AC3 (≤440V ≤55°C)	A	40	
	Operational current AC4 (400V)	A	24	
Rated operational power AC1 (T≤40°C)	230V	kW	26	
	400V	kW	46	
	500V	kW	58	
	690V	kW	79	
Rated operational power AC3 (T≤55°C)	230V	kW	11	
	400V	kW	18.5	
	415V	kW	22	
	440V	kW	22	
	500V	kW	22	
	690V	kW	30	
	1000V	kW	18.5	
Short-time allowable current for 10s (IEC/EN60947-1)	A	400		
Protection fuse	gG (IEC)	A	100	
	aM (IEC)	A	50	
Making capacity (RMS value)	A	400		
Breaking capacity at voltage	Breaking capacity 440V	A	320	
	Breaking capacity 500V	A	265	
	Breaking capacity 690V	A	256	
Resistance per pole (average value)	mΩ	0.8		
Power dissipation per pole (average value)	Power dissipation pole (average value) I _{th}	W	3.9	
	AC3	W	1.3	
Tightening torque for terminals	min	Nm	4	
	max	Nm	5	
	min	lbft	2.95	
	max	lbft	3.69	

Tightening torque for coil terminal

min	Nm	0.8
max	Nm	1
min	lbft	0.8
max	lbft	0.74

max number of wires simultaneously connectable

nr.	2
-----	---

Conductor section

AWG

min	14
max	2

Flexible w/o lug conductor section

min	mm ²	1.5
max	mm ²	35

Flexible c/w lug conductor section

min	mm ²	1.5
max	mm ²	35

Power terminal protection according to IEC/EN 60529

IP20 front

Auxiliary contact characteristics

Operational current AC1 (≤40°C)

A	70
---	----

Operating current DC13

110V	A	Screw / DIN rail 35mm
------	---	--------------------------

Ambient conditions

Temperature

Operating temperature

min	°C	-50
max	°C	70

Storage temperature

min	°C	-60
max	°C	80

Max altitude

m	3000
---	------

Operating position

normal allowable	Vertical plan ±30°
---------------------	-----------------------

Mounting

Screw / DIN rail
35mm

Weight

g	1.24
---	------

Operations

Mechanical life

Cycles	1500000
--------	---------

Electrical life

Cycles	150000
--------	--------

Safety related data

Performance level B10d according to EN/ISO 13489-1

rated load	Cicli	1500000
mechanical load	Cicli	15000000

Mirror contacts according to IEC/EN 60947-4-1

yes

EMC compatibility

yes

AC coil operating

AC operating voltage

of 50/60Hz coil powered at 50Hz
pick-up

min	%Us	0.8
max	%Us	1.1

drop-out

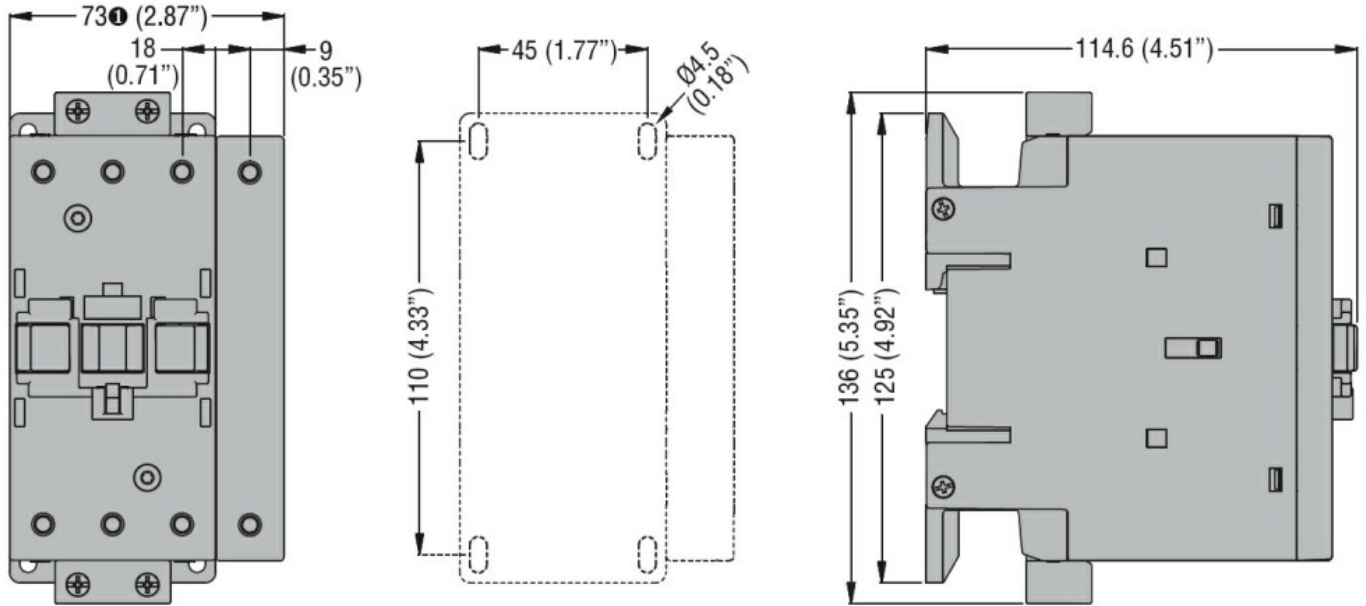
		min	%Us	0.2	
		max	%Us	0.55	
<hr/>					
of 50/60Hz coil powered at 60Hz					
	pick-up	min	%Us	0.85	
		max	%Us	1.1	
	drop-out	min	%Us	0.4	
		max	%Us	0.55	
<hr/>					
of 60Hz coil powered at 60Hz					
	pick-up	min	%Us	0.8	
		max	%Us	1.1	
	drop-out	min	%Us	0.2	
		max	%Us	0.55	
<hr/>					
AC operating voltage					
of 50/60Hz coil powered at 50Hz					
		in-rush	VA	210	
		holding	VA	15	
<hr/>					
of 50/60Hz coil powered at 60Hz					
		in-rush	VA	195	
		holding	VA	13	
<hr/>					
of 60Hz coil powered at 60Hz					
		in-rush	VA	210	
		holding	VA	15	
<hr/>					
Dissipation at holding $\leq 20^{\circ}\text{C}$ 50Hz				W	5.0
<hr/>					
Max cycles frequency					
Mechanical operations				Cycles/h	3600
<hr/>					
Operating times					
Average time for Us control					
in AC					
Closing NO					
		min	ms	12	
		max	ms	28	
Opening NO					
		min	ms	8	
		max	ms	22	
<hr/>					
UL technical data					
Full-load current (FLA) for three-phase AC motor					
		at 480V	A	40	
		at 600V	A	32	
<hr/>					
Yielded mechanical performance					
for single-phase AC motor					
		at 110/120V	hp	3	
		at 230V	hp	7.5	
<hr/>					
for three-phase AC motor					
		at 200/208V	hp	10	
		at 220/230V	hp	15	
		at 460/480V	hp	30	
		at 575/600V	hp	30	
<hr/>					
General USE					
Contactor					
		AC current	A	32	

Other features

Pollution degree

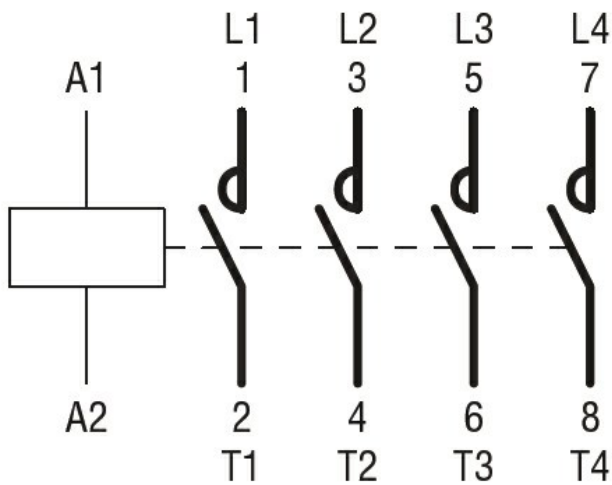
3

Dimensions



① BF80T2 82mm/3.23"

Wiring diagrams



Certifications and compliance

Certifications

CSA C22.2 n° 60947-1
CSA C22.2 n° 60947-4-1
IEC/EN 60947-1
IEC/EN 60947-4-1
UL 60947-1
UL 60947-4-1

Compliance

cULus

ETIM 6 classification

EC000066 - Power contactor, AC switching