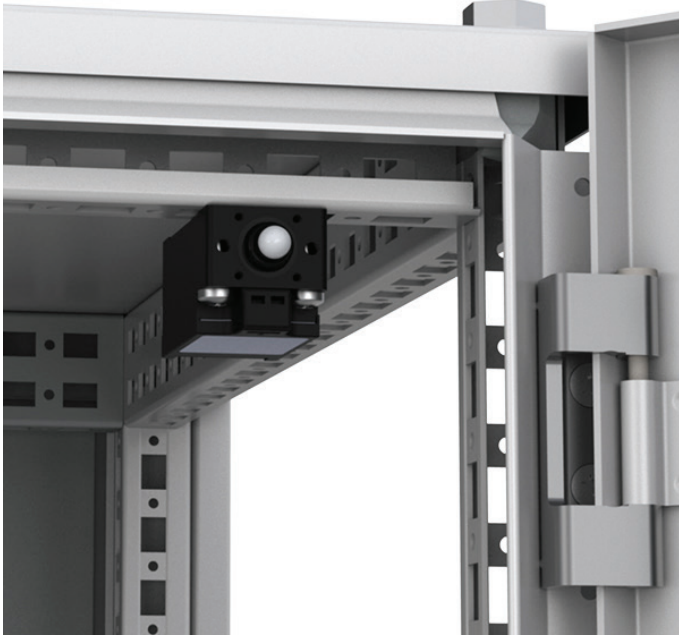


DSW01

Door switch



Item no.	DSW01
----------	-------

Description: Door switch to activate any electrical device (lighting, signalling, alarms, etc.). Can be mounted after installing the enclosure thereby keeping the door opening free. Fixed on the inside hole pattern of the enclosure's frame in floor standing enclosures. Cable entry M20.

Switch capacity: 3 A / 240 V.

Approvals: CE, cCSAus, CCC.

Pack quantity: 1 piece with mounting accessories.

The door switch will allow lights or other electrical devices to turn on, or off, when the enclosure door is opened without the need for any manual interference.

