



Bluetooth communication stick for transferring parameters to a PC for DE1, DC1, DB1, DA1 variable frequency drives

Part no. DX-COM-STICK3-KIT
Catalog No. 197586
EL-Nummer 4100100
(Norway)

Delivery program

Subrange		Parameter storage unit and Bluetooth communication stick
Basic function		For storage, copying parameters, and/or transferring parameters via Bluetooth to a PC with drivesConnect software or the drivesConnect mobile app
Description		With 2 function keys for uploading and downloading parameters with configuration memory with Bluetooth dongle
For use with		DE1, DE11, DC1, DB1, DA1

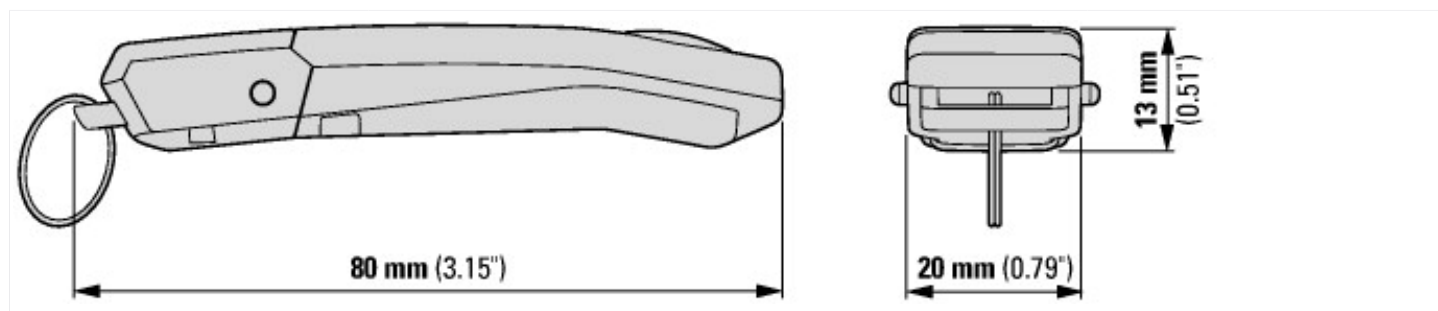
Design verification as per IEC/EN 61439

Technical data for design verification			
Operating ambient temperature min.		°C	-10
Operating ambient temperature max.		°C	50

Technical data ETIM 7.0

Low-voltage industrial components (EG000017) / Accessories for frequency controller (EC002025)	
Electric engineering, automation, process control engineering / Electrical drive / Static frequency converter / Static frequency converter (accessory) (ecl@ss10.0.1-27-02-31-92 [AFR303003])	
Type of accessory	Communication module

Dimensions



Additional product information (links)

IL040051ZU Bluetooth communication stick	
IL040051ZU Bluetooth communication stick	ftp://ftp.moeller.net/DOCUMENTATION/AWA_INSTRUCTIONS/IL040051ZU2018_08.pdf
MN040003 drives Connect, manual	
MN040003 Anschluss der Antriebe, manuell - Deutsch	ftp://ftp.moeller.net/DOCUMENTATION/AWB_MANUALS/MN040003_DE.pdf
MN040003 drives Connect, manual - English	ftp://ftp.moeller.net/DOCUMENTATION/AWB_MANUALS/MN040003_EN.pdf
CA04020001Z-EN Product Range Catalog: Efficient Engineering for Starting and Controlling Motors	http://www.eaton.eu/DE/ecm/groups/public/@pub/@europe/@electrical/documents/content/pct_1095238.pdf