

# ENSTO

## FPT1515FE46

### Fire protection junction box

Code	FPT1515FE46
GTIN	6438100180829
ENumber	
Name	Fire protection junction box Ensto Vulcano 150 x 150 mm, FE, 4 x 1,5-6 mm <sup>2</sup> , E90
Description	Fire protection junction boxes are designed and manufactured to maintain functionality for 30-90 minutes in a case of fire.
Vendor	Ensto Finland Oy



## Technical specification

### Technical specification

<b>Content:</b>	Enclosure base, cover, cover screw with gasket and cage nuts, screw anchors for wall/ceiling mounting
-----------------	---

### Dimensions

<b>Conductor cross-section:</b>	6 mm <sup>2</sup>
<b>Size:</b>	150 x 150 x 95 mm

### Temperatures

<b>Ambient temperature :</b>	-25 °C...+40 °C, +35°C ( 24 h)
------------------------------	--------------------------------

### Electrical values

<b>Nominal insulation voltage:</b>	750 V
<b>Nominal current A:</b>	41 A

### Materials

<b>Base:</b>	Mild steel, polyester painted
<b>Cover:</b>	Mild steel, polyester painted
<b>Cover screws:</b>	Steel
<b>Gasket:</b>	Polyurethane

### Colors

**Color:** Orange  
**Color code:** RAL2003

## Mechanical

**Impact strength:** IK09

## Certificates

**Standards:** EN 60670-1

## Ratings

**Degree of protection:** IP65  
**Fire resistance class:** E30-E90  
**ETIM class:** EC002600

## ETIM

---

### ETIM

**Width:** 150 mm  
**Colour:** Orange  
**Material:** Steel  
**Length:** 150 mm  
**Depth:** 95 mm  
**Degree of protection (IP):** IP65  
**Mounting method:** Wall-/ceiling mounting  
**Surface protection:** Untreated  
**Halogen free:** true  
**Cover model:** Blind cover  
**Max. conductor cross section:** 6 mm<sup>2</sup>  
**Equipped with:** Support rail  
**Shape:** Square  
**For tubediameter:** 25 mm  
**Inlet from the rear:** false  
**Number of inlets:** 8  
**Type of housing feed-through:** Seal membrane  
**Cover:** Not transparent  
**Cover attachment:** Screwed  
**Sealable:** false  
**Rated insulation voltage Ui:** 750 V  
**Circuit integrity:** E 90  
**For Ex-zone gas:** None  
**For Ex-Zone dust:** None  
**Operation temperature:** -25 ... 40 °C  
**Castable:** false  
**Casting compound included:** false  
**Weatherproof:** true  
**With screening:** false  
**Tackable:** false

**Explosion-tested version:** false

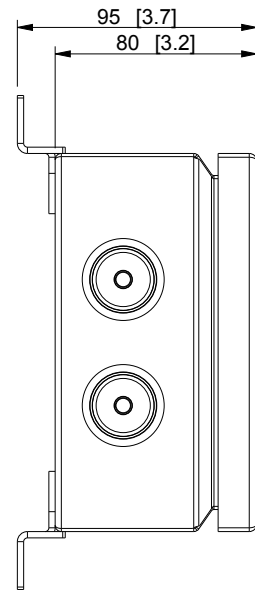
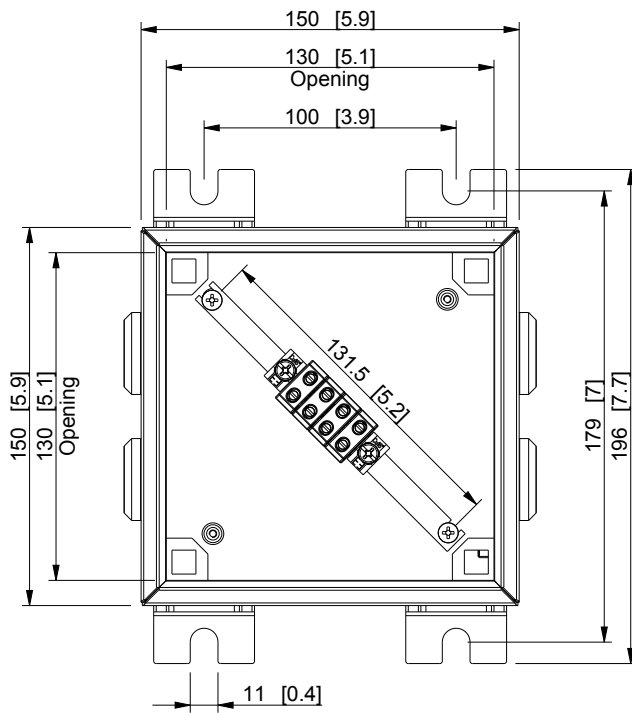
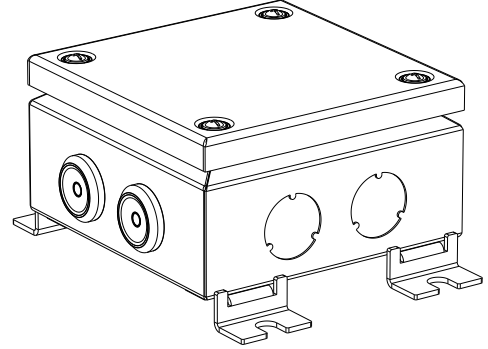
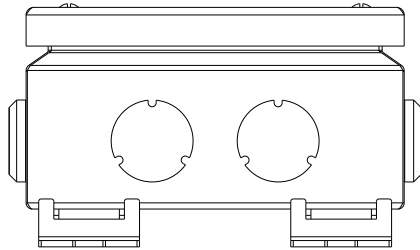
## Packaging

---


### Default package

**Unit:** PCS  
**Size:** 1  
**Length:** 215 mm  
**Width:** 215 mm  
**Height:** 140 mm  
**Weight (brt):** 1.56832 kg  
**Volume:** 6.47

ID	Description	Date	By	Appr.
A		27.02.15	PKos	



Dimensions in mm [inches]

model drawing FPT1515FE46 PART PROCUS_FPT1515FE DRAWING	Material: Mild steel, polyester painted		Color: RAL2003	Weight (kg): 1.563	
	 Ensto Finland Oy Ensto Industrial Solutions			<b>150x150mm, Fe, 4xKR6</b>	
					<b>Fire safety box</b>
	Scale	Date	27.02.15		
	1:3	By	PKos		
	-	Checked			
	-	Ctrl			
		Replaces:			
		Replaced:			
		Drw No:	A		
		Ref:	FPT		
		Code:	FPT1515FE46		
		Sheet No:			