

ENSTO

FPT1815PP416

Fire protection junction box

| | |
|-------------|---|
| Code | FPT1815PP416 |
| GTIN | 6438100180805 |
| ENumber | |
| Name | Fire protection junction box Ensto Vulcano 175 x 150 mm, PP, 4 x 2,5-16 mm ² , E90 |
| Description | Fire protection junction boxes are designed and manufactured to maintain functionality for 30-90 minutes in a case of fire. |
| Vendor | Ensto Finland Oy |



Technical specification

Technical specification

| | |
|-----------------|--|
| Content: | Enclosure base, cover, cover screw, cover line, fastening plate, screw anchors for wall/ceiling mounting, terminal rail, terminal rail mounting screws, ceramic terminals, PE terminal(s), rubber grommets |
|-----------------|--|

Dimensions

| | |
|---------------------------------|------------------------|
| Conductor cross-section: | 2,5-16 mm ² |
| Size: | 175 x 150 x 81.5 mm |

Temperatures

| | |
|------------------------------|--------------------------------|
| Ambient temperature : | -25 °C...+40 °C, +35°C (24 h) |
|------------------------------|--------------------------------|

Electrical values

| | |
|------------------------------------|-------|
| Nominal insulation voltage: | 750 V |
| Nominal current A: | 76 A |

Materials

| | |
|----------------------|---------------|
| Base: | Polypropylene |
| Cover: | Polypropylene |
| Cover screws: | Polycarbonate |
| Gasket: | Polyurethane |

Colors

| | |
|--------------------|---------|
| Color: | Orange |
| Color code: | RAL2003 |

Features

| | |
|--------------------|----------|
| Screw head: | Slothead |
|--------------------|----------|

Certificates

| | |
|-------------------|------------|
| Standards: | EN 60670-1 |
|-------------------|------------|

Ratings

| | |
|------------------------------|----------|
| Degree of protection: | IP65 |
| ETIM class: | EC002600 |

ETIM

ETIM

| | |
|--------------------------------------|------------------------|
| Width: | 175 mm |
| Colour: | Orange |
| Material: | Plastic |
| Length: | 150 mm |
| Depth: | 81.5 mm |
| Degree of protection (IP): | IP65 |
| Mounting method: | Wall-/ceiling mounting |
| Surface protection: | Untreated |
| Halogen free: | true |
| Cover model: | Blind cover |
| Max. conductor cross section: | 16 mm ² |
| Equipped with: | Support rail |
| Shape: | Rectangular |
| For tubediameter: | Other |
| Inlet from the rear: | true |
| Number of inlets: | 14 |
| Type of housing feed-through: | Seal membrane |
| Cover: | Not transparent |
| Cover attachment: | Screwed |
| Sealable: | true |
| Rated insulation voltage Ui: | 750 V |
| Circuit integrity: | E 90 |
| For Ex-zone gas: | None |
| For Ex-Zone dust: | None |
| Operation temperature: | -25 ... 40 °C |
| Castable: | false |
| Casting compound included: | false |
| Weatherproof: | false |
| With screening: | false |
| Tackable: | false |

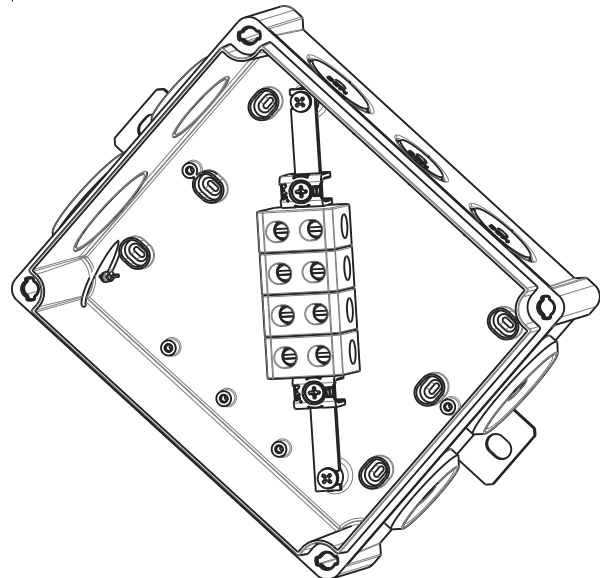
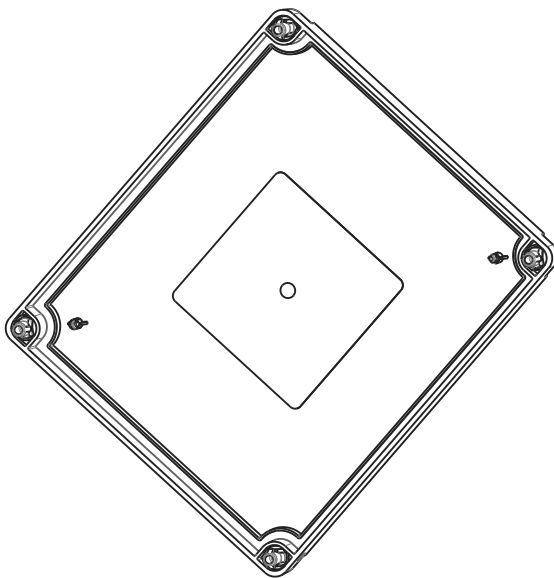
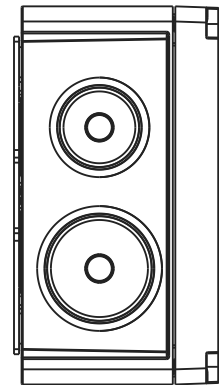
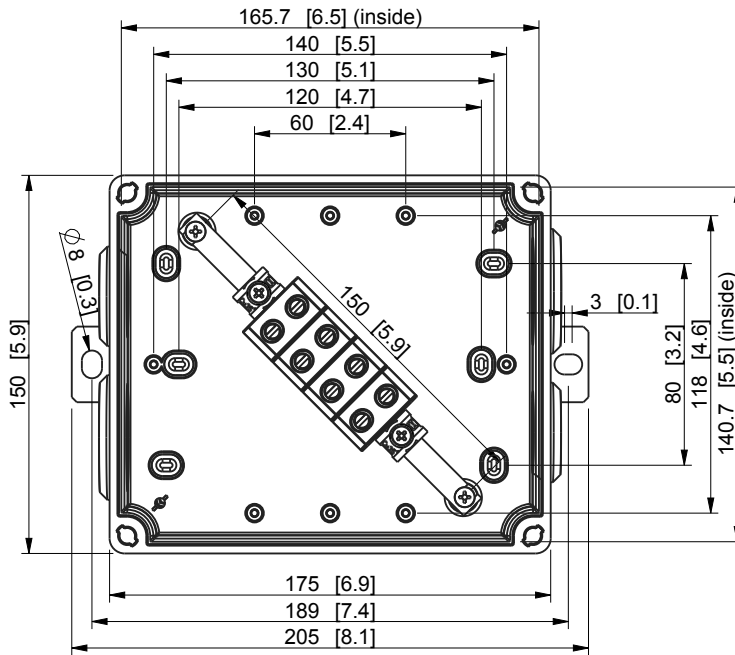
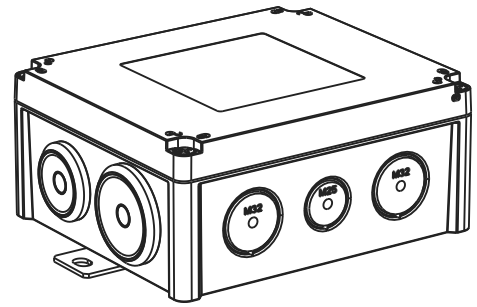
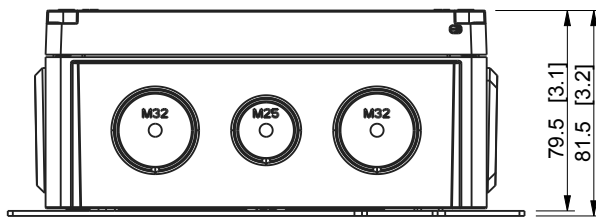
Explosion-tested version: false

Packaging


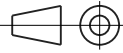
Default package

Unit: PCS
Size: 6
Length: 500 mm
Width: 255 mm
Height: 200 mm
Weight (brt): 4.005 kg
Volume: 25.5

| ID | Description | Date | By | Appr. |
|----|--------------------|----------|-----|-------|
| A | | 06.11.15 | AKu | |
| B | Dimensions updated | 28.12.15 | TK | |



Dimensions in mm [inches]

| | | | | | |
|--|---|---------|-----------------------|----------------------|--|
| model FPT1815PP416 PART drawing PR_FPT1815PP416 DRAWING | Material: PP | 1:3 | Color: RAL2003 | Weight (kg): 0.446 | |
| |   | | 175x150mm, PP, 4xKR16 | | |
| | Ensto Finland Oy Ensto Industrial Solutions | | | | |
| | Scale | Date | 06.11.15 | | |
| | 1:3 | By | AKu | | |
| | - | Checked | | | |
| | - | Ctrl | | | |
| Fire safety box | | | | Replaces: | |
| | | | | Replaced: | |
| | | | | Drw No: B | |
| | | | | Ref: Fire safety box | |
| | | | | Code: FPT1815PP416 | |
| | | | | Sheet No: | |