

# ENSTO

## FPT2215FE416

### Fire protection junction box

|             |   |
|-------------|---|
| Code        | FPT2215FE416  |
| GTIN        | 6438100180843   |
| ENumber     |   |
| Name        | Fire protection junction box Ensto Vulcano<br>220 x 150 mm, FE, 4 x 2,5-16 mm <sup>2</sup> , E90                            |
| Description | Fire protection junction boxes are designed and manufactured to maintain functionality for 30-90 minutes in a case of fire. |
| Vendor      | Ensto Finland Oy  |



## Technical specification

### Technical specification

|                 |   |
|-----------------|---|
| <b>Content:</b> | Enclosure base, cover, cover screw with gasket and cage nuts, screw anchors for wall/ceiling mounting |
|-----------------|---|

### Dimensions

|                                 |                    |
|---------------------------------|--------------------|
| <b>Conductor cross-section:</b> | 16 mm <sup>2</sup> |
| <b>Size:</b>                    | 220 x 150 x 95 mm  |

### Temperatures

|                              |                                |
|------------------------------|--------------------------------|
| <b>Ambient temperature :</b> | -25 °C...+40 °C, +35°C ( 24 h) |
|------------------------------|--------------------------------|

### Electrical values

|                                    |       |
|------------------------------------|-------|
| <b>Nominal insulation voltage:</b> | 750 V |
| <b>Nominal current A:</b>          | 76 A  |

### Materials

|                      |                               |
|----------------------|-------------------------------|
| <b>Base:</b>         | Mild steel, polyester painted |
| <b>Cover:</b>        | Mild steel, polyester painted |
| <b>Cover screws:</b> | Steel                         |
| <b>Gasket:</b>       | Polyurethane                  |

### Colors

**Color:** Orange  
**Color code:** RAL2003

## Mechanical

**Impact strength:** IK10

## Certificates

**Standards:** EN 60670-1

## Ratings

**Degree of protection:** IP65  
**Fire resistance class:** E30-E90  
**ETIM class:** EC002600

## ETIM

---

### ETIM

**Width:** 220 mm  
**Colour:** Orange  
**Material:** Steel  
**Length:** 150 mm  
**Depth:** 95 mm  
**Degree of protection (IP):** IP65  
**Mounting method:** Wall-/ceiling mounting  
**Surface protection:** Untreated  
**Halogen free:** true  
**Cover model:** Blind cover  
**Max. conductor cross section:** 16 mm<sup>2</sup>  
**Equipped with:** Support rail  
**Shape:** Rectangular  
**For tubediameter:** Other  
**Inlet from the rear:** false  
**Number of inlets:** 10  
**Type of housing feed-through:** Seal membrane  
**Cover:** Not transparent  
**Cover attachment:** Screwed  
**Sealable:** false  
**Rated insulation voltage Ui:** 750 V  
**Circuit integrity:** E 90  
**For Ex-zone gas:** None  
**For Ex-Zone dust:** None  
**Operation temperature:** -25 ... 40 °C  
**Castable:** false  
**Casting compound included:** false  
**Weatherproof:** true  
**With screening:** false  
**Tackable:** false

**Explosion-tested version:** false

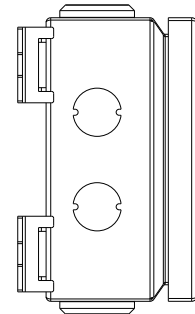
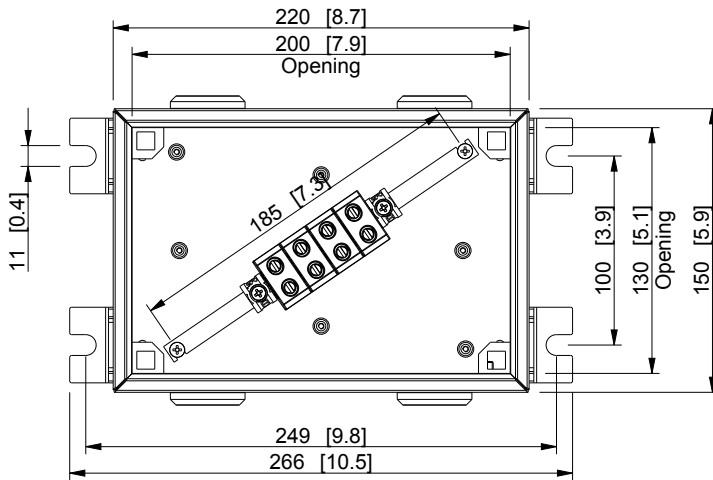
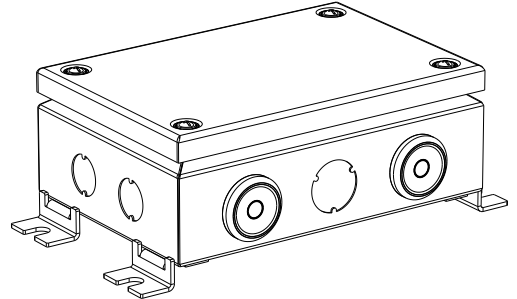
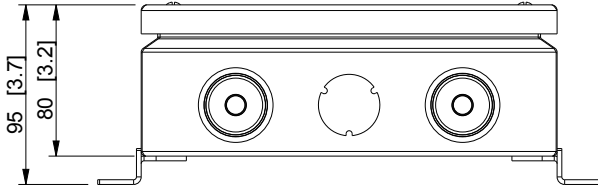
## Packaging

---

### Default package

**Unit:** PCS  
**Size:** 1  
**Length:** 315 mm  
**Width:** 165 mm  
**Height:** 140 mm  
**Weight (brt):** 2.081 kg  
**Volume:** 7.28

| ID | Description | Date     | By   | Appr. |
|----|-------------|----------|------|-------|
| A  |             | 01.03.15 | PKos |       |



Dimensions in mm [inches]

|   |   |         |                |  |                    |
|---|---|---------|----------------|--|--------------------|
| model<br>drawing<br>FPT2215FE416 PART<br>PROCUS_FPT2215FE DRAWING | Material: Mild steel, polyester painted |         | Color: RAL2003 | Weight (kg): 2.107   |                    |
|   |   |         |                | <b>220x150mm, Fe, 4xKR16</b><br><br><b>Fire safety box</b> | Replaces:          |
|   |   |         |                |  | Replaced:          |
|   | Scale                                   | Date    | 27.02.15       |  | Drw No: A          |
|   | 1:4                                     | By      | PKos           |  | Ref: FPT           |
|   | -                                       | Checked |                |  | Code: FPT2215FE416 |
|   | -                                       | Ctrl    |                |  | Sheet No:          |