

Residual Current Circuit Breakers B6 with Overload Protection



The IMO range of B6 residual current circuit breakers with overload protection have been designed for protection of electrical installations against earth fault/leakage, overload and short circuit and are manufactured in accordance with IEC 61009.

Technical Data

- Provides protection against earth fault/leakage current, overload, short circuit & isolation
- Contact position indicating window; transparent protective label cover
- High short circuit current withstand capacity
- Finger protected connection terminals
- Single module device (only 18mm wide)
- Compatible with MCB accessories range
- Neutral on left hand side

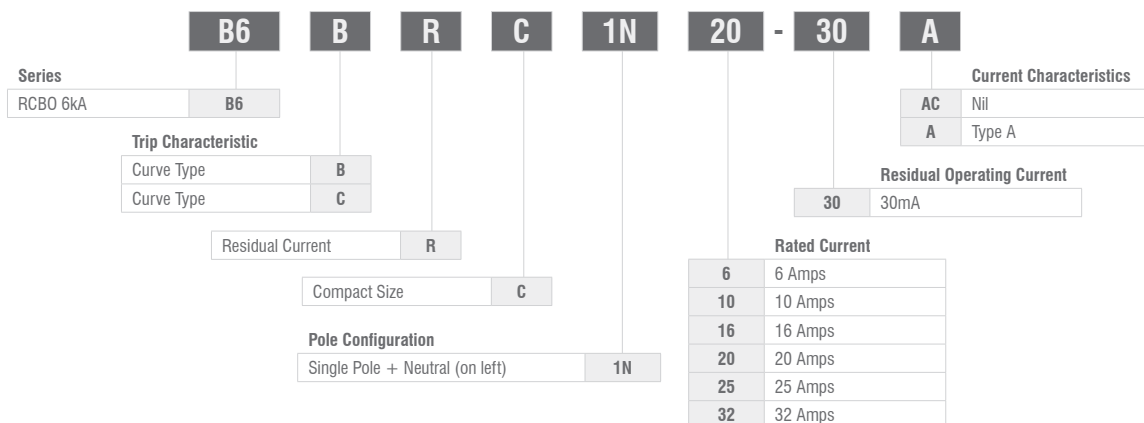


Tripping characteristics in accordance with B and C type curves

- Curve B: $3-5 I_n$
- Curve C: $5-10 I_n$



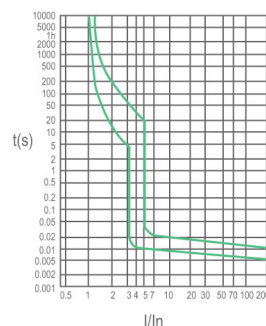
Options & Ordering Codes



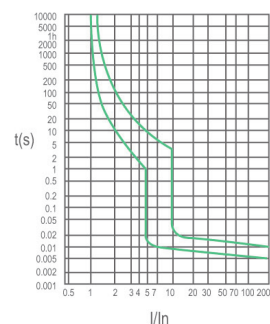
Specifications

In accordance with	IEC 61009
Certification	CE
Pole composition	1P+N
Tripping curve	B, C
Rated frequency	50Hz
Rated operational voltage	240VAC
Rated current	6A, 10A, 16A, 20A, 25A, 32A
Rated short circuit capacity	6kA
Rated residual operating current, $I_{\Delta n}$	30mA
Residual tripping current range	$0.5 I_{\Delta n} \sim 1 I_{\Delta n}$
Electromechanical lifetime	> 4,000 cycles
Tightening torque	1.2 Nm
Terminal capacity	up to 25mm ²
Screw type	M4
Mounting	DIN Rail EN 60715 (EN50022)
Protection degree	IP20

Tripping Curve B

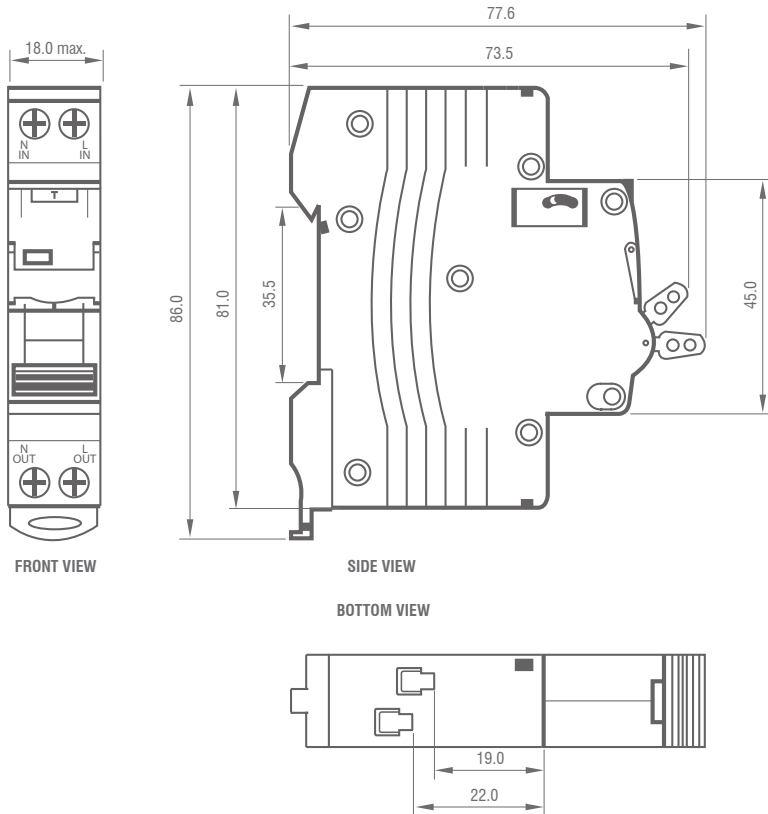


Tripping Curve C

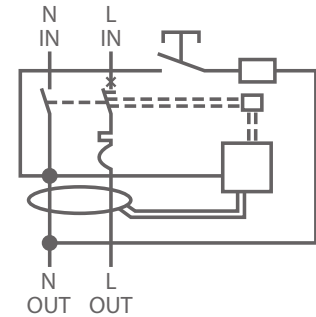


Residual Current Circuit Breakers B6 with Overload Protection

Dimensions (mm)



Wiring Diagram



Accessories

Auxiliary Switch	B10-F3
For monitoring the status of the protection device (open/closed)	
1 pole changeover (for C & D curve only)	
Rated current: 6A @ 230VAC & 24VDC or 3A @ 400VAC	
Dielectric Strength: 2000V/1min	
Terminal Capacity: 1-4mm ²	
Mounting on the Left side	
Shunt Trip	B10-S3
Shunt Trip to remotely switch off the protection device	
Rating voltage Ue: AC 110V / 230V / 400V	
Oving Voltage: 70%~110% X Ue	
Mounting on the Left side	
Locking Device	B10-LOCK
4mm padlock (max hasp diameter), not included	

Please Note: Test Button “T” is recommended to be tested monthly.