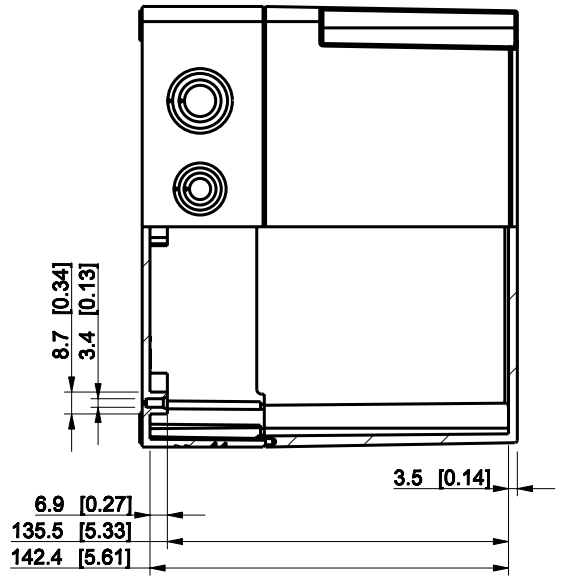
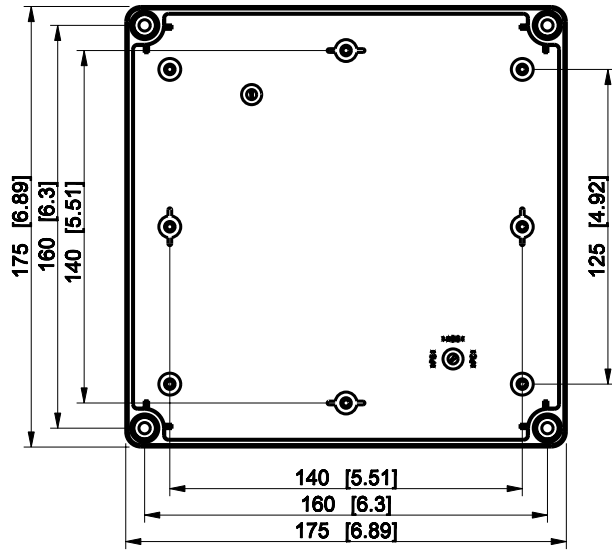
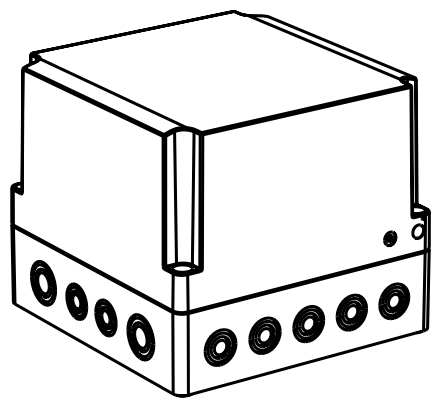
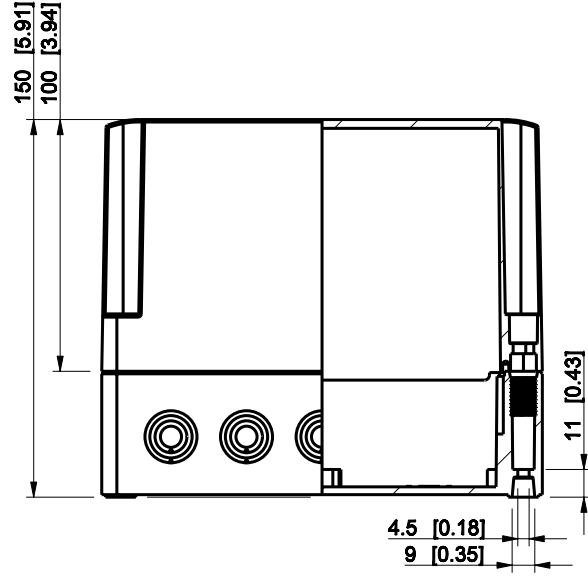


ID	Description	Date	By	Appr.
A				



Dimensions in mm [inches]

Material: Polycarbonate, fiberglass-reinforced      Color: RAL 7035

Supplier:      Tool No:      Weight [kg]: 0.64      Volume:



**SPCM181815G**

Scale	Date	08.12.08
1:3	By	PKos
-	Checked	
-	Ctrl	

Replaces:	
Replaced:	
Drw No:	- A
Ref:	Cubo S
Code:	SPCM181815G
Sheet No:	

model SPCM181815G PART  
 drawing CUBOS DRAWING