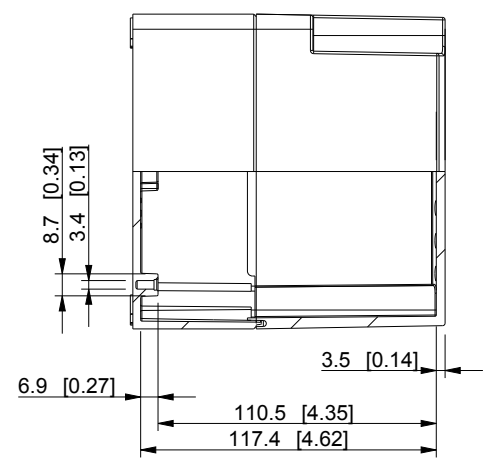
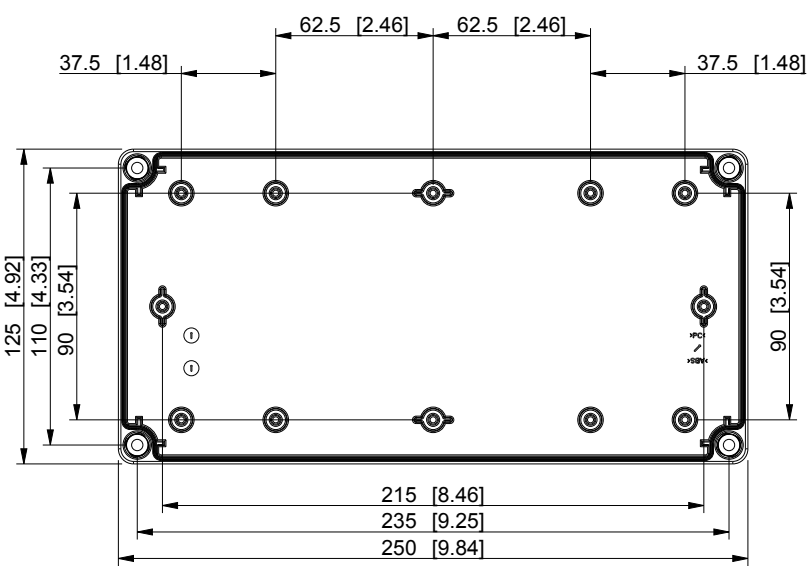
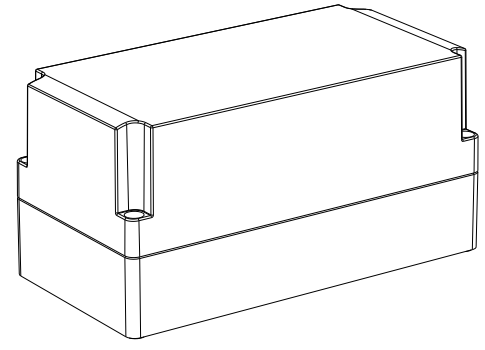
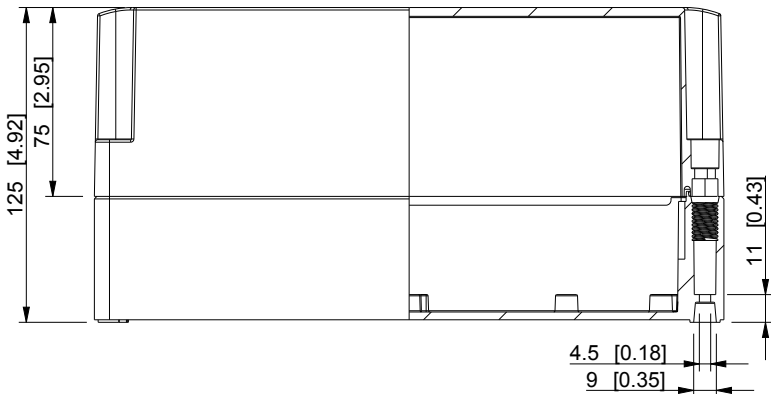


ID	Description	Date	By	Appr.
A				



Dimensions in mm [inches]

Material: Polycarbonate, fiberglass-reinforced	Color: RAL 7035
--	-----------------

Supplier:	Tool No:	Weight [kg]: 0.92	Volume:
-----------	----------	-------------------	---------



SPCP132513G

Scale	Date	8.12.2016
1:3	By	KA
-	Checked	
-	Ctrl	

Replaces:	
Replaced:	
Drw No:	- A
Ref:	Cubo S
Code:	SPCP132513G
Sheet No:	

model SPCP132513G PART
drawing CUBOS132513 DRAWING