



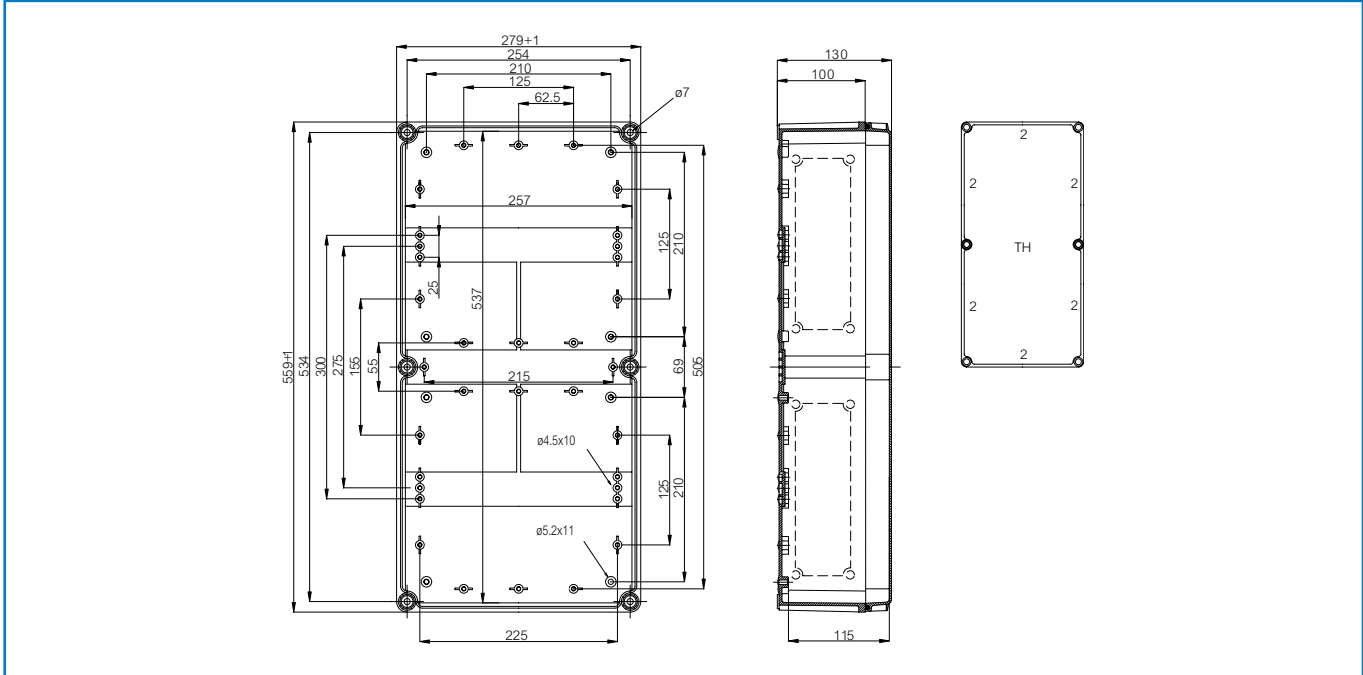
Sample photo

Order symbol: EKTH 130 T
Product nbr: 2538167
Description: Enclosure, PC
Remarks: Transparent cover

EAN: 6418074013934
EI. number:
 Finland 3425483
 Italy 7502065D
 Sweden 2538167

Including: Flanged Base with screws for mounting plate/DIN-rail, cover with PUR gasket and polyamide cover screws.

Dimensions:			Rating:
L	W	H	
mm:	560	280	Ingress Protection (EN 60529): IP 66/67
inch:	22	11	Impact Resistance (EN 50102): IK 08
Materials:			Electrical insulation: Totally insulated
Material:	PC		Halogen free (DIN/VDE 0472, Part 815): Yes
Base colour:	RAL 7035		UV resistance: UL 508
Cover colour:	Clear transparent		Flammability Rating (UL 746 C 5): UL 94 5V
Cover screws material:	Polyamide		Glow Wire Test (IEC 695-2-1) °C: 960
Cover screws colour:	Grey		NEMA Class: NEMA 1, 3, 3S, 4, 4X, 6, 6P, 12
Gasket material:	Polyurethane		Certificates:
Temperatures:			Germanischer Lloyd (GL)
Short term:	-40 ... 120 °C		Underwriters Laboratories
Continuous:	-40 ... 80 °C		Det Norske Veritas
Short term:	-40 ... 250 °F		Bureau Veritas
Continuous:	-40 ... 175 °F		Fimko
Accessories:			Lloyds Register of Shipping (LR)
EKTVT	Mounting plate		Europe EN 50298 1998
EKV 22	DIN-35 Mounting rail		UL Canada
EKV 50	DIN-35 Mounting rail		Gost R
EKTZR	Extension frame		



(c) Fibox OY, Data subject to change without notice