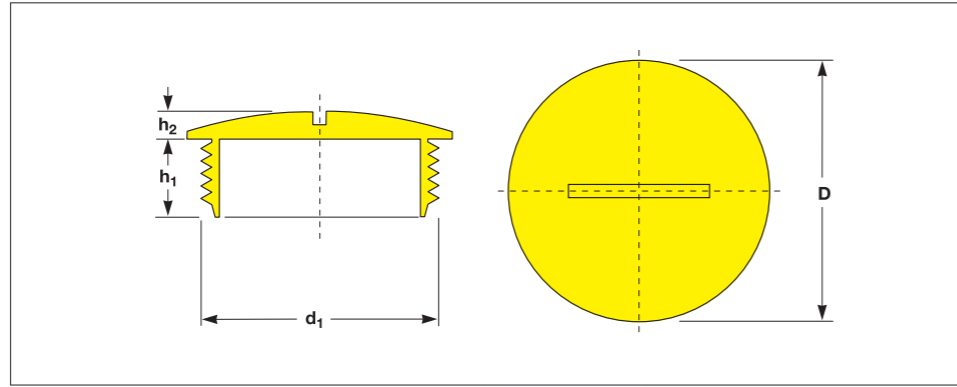


Quick-Fit® Threaded Blanking Plugs

Close existing threads to secure unused ports for future use



Metric DIN 46 320

All dimensions in mm

Thread size	Flange	Depth		Material	Reference-No.
		d ₁	D		
M 12 × 1.5	15.0	6.0	4.0	PS	EPN 450 / M 12 × 1.5
M 16 × 1.5	20.0	7.0	4.0	PS	EPN 450 / M 16 × 1.5
M 20 × 1.5	24.0	7.0	4.5	PS	EPN 450 / M 20 × 1.5
M 25 × 1.5	30.0	11.0	4.5	PS	EPN 450 / M 25 × 1.5
M 32 × 1.5	38.0	11.0	5.0	PS	EPN 450 / M 32 × 1.5
M 40 × 1.5	46.0	13.0	5.0	PS	EPN 450 / M 40 × 1.5
M 50 × 1.5	56.0	14.0	6.5	PA-GF	EPN 450 / M 50 × 1.5
M 63 × 1.5	69.7	15.0	5.5	PA-GF	EPN 450 / M 63 × 1.5

PG

All dimensions in mm

PG 7	15.0	6.0	2.0	PS	EPN 450 / PG 7
PG 9	19.0	6.0	3.0	PS	EPN 450 / PG 9
PG 11	22.0	6.5	3.0	PS	EPN 450 / PG 11
PG 13.5	25.0	6.0	3.5	PS	EPN 450 / PG 13.5
PG 16	27.0	6.5	3.5	PS	EPN 450 / PG 16
PG 21	33.0	8.0	4.0	PS	EPN 450 / PG 21
PG 29	44.0	8.0	4.0	PS	EPN 450 / PG 29
PG 36	55.0	10.0	5.0	PS	EPN 450 / PG 36
PG 42	62.0	10.0	6.0	PS	EPN 450 / PG 42
PG 48	69.0	12.0	5.0	PS	EPN 450 / PG 48

Should your requirements not be shown please ask for separate quotation.
Products and specifications are subject to improvement and change without notice.

Material :
PS,
durable polystyrene

Standard Colours :
light grey RAL 7035
dark grey RAL 7001
black RAL 9005

optional :
white RAL 9010
red RAL 3000

Optional colours on request.

Close existing threads to secure unused ports for future use.

Quick-Fit® Threaded Blanking Plugs

Close existing threads to secure unused ports for future use

ADVANTAGE of QUICK-FIT®

QUALITY. This range fits a variety of Metric and PG thread sizes and can be applied for plugging threads in panels from 12mm to 63mm in diameter.

PHILOSOPHY. The highest degree Quick-Fit functionality and safety at the best price in the market.



Material :
PS,
durable polystyrene

Standard Colours :
light grey RAL 7035
dark grey RAL 7001
black RAL 9005

optional :
white RAL 9010
red RAL 3000

Optional colours on request.

PLA TICS

