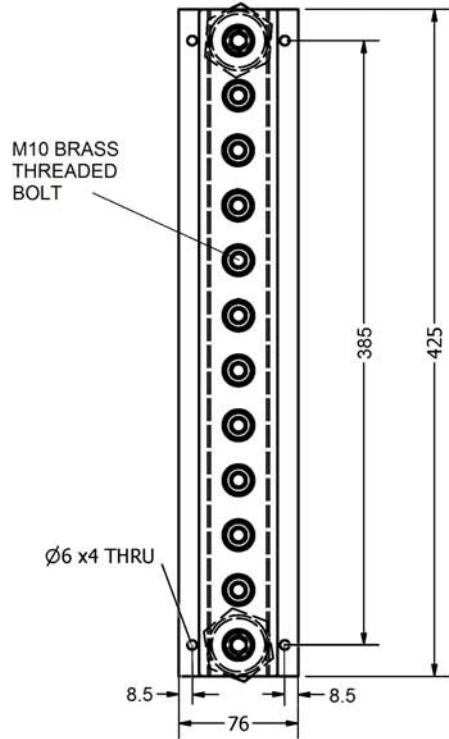
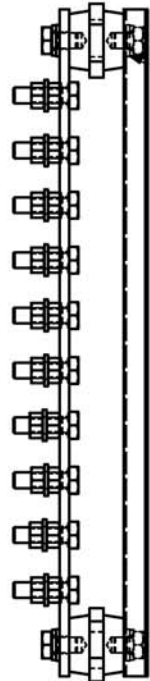


Scale 1:3

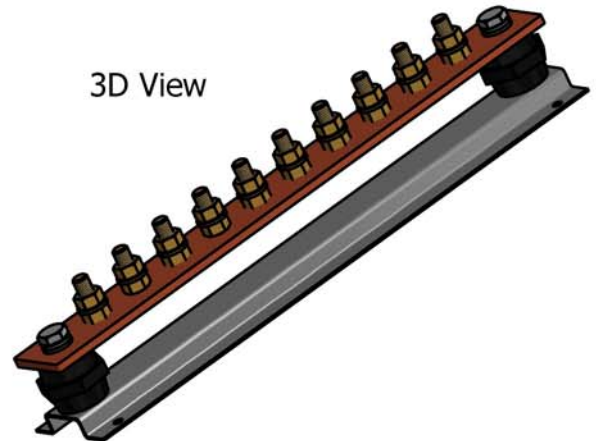


M10 BRASS
THREADED
BOLT

Ø6 x4 THRU



3D View



| | | | | | | | |
|---|--|-------------------------------------|--|------------------------------------|--|--------------------------------------|--|
| THIS DOCUMENT IS THE PROPERTY OF ILECSYS LTD AND MUST NOT BE COPIED NOR DISCLOSED TO A THIRD PARTY WITHOUT THE CONSENT OF ILECSYS | | iLECSYS REF: ILS100127-IEB10 | | Scale 1:3 | | | |
| | | © CUSTOMER REF: iLECSYS | | DRAWING NUMBER: 02-25-133 | | Revision Sheet 1 / 1 | |
| UNIT 4B, TRING INDUSTRIAL ESTATE, UPPER ICKNIELD WAY, TRING, HERTS. HP23 4JX Tel: +44(0)1442 828387 Fax +44 (0)1442 828399 | | 10way 35mm | | Drawn R.MOLIS Checked PJD | | Date 25-03-13 Date 25-03-13 | |