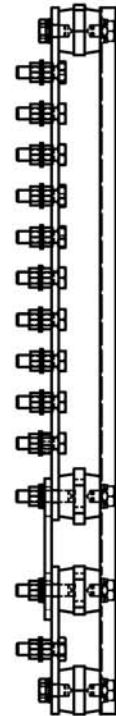
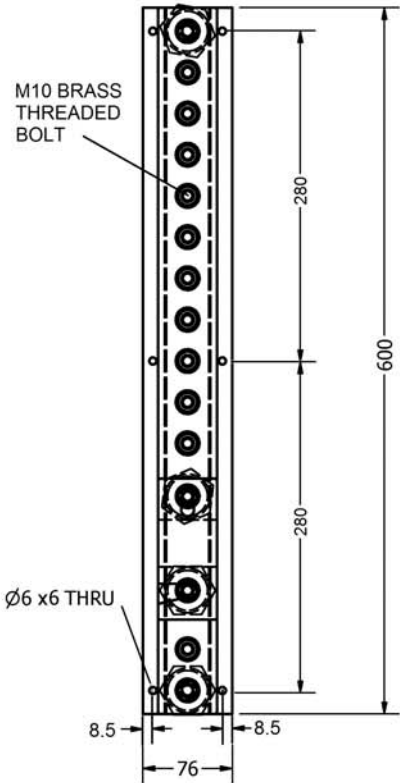
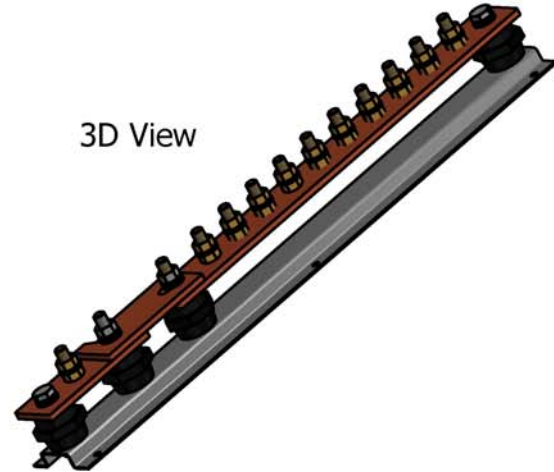




Scale 1:4



3D View



THIS DOCUMENT IS THE PROPERTY OF ILECSYS LTD AND MUST NOT BE COPIED NOR DISCLOSED TO A THIRD PARTY WITHOUT THE CONSENT OF ILECSYS		ILECSYS REF: ILS100127-IEB10DL		Scale 1:4			
		© CUSTOMER REF: ILECSYS		DRAWING NUMBER: 02-25-134		Revision Sheet 1 / 1	
UNIT 4B, TRING INDUSTRIAL ESTATE, UPPER ICKNIELD WAY, TRING, HERTS. HP23 4JX Tel: +44(0)1442 828387 Fax +44 (0)1442 828399		10 way + d link 35mm		Drawn R.MOLIS	Date 25-03-13	Checked PJD	Date 25-03-13