

Electrical Ratings
CE (EN 60947-7-3)
cRUus
VDE (IEC 60947-7-1)
CSA
IECEX

Voltage, V ~	Current, A	Cross Section
500	6.3	6 mm²
300	6.3	AWG 26 - 8

Voltage, V ~	Current, A	Cross Section
	6.3	6 mm²
	6.3	AWG 26 - 8

Connection Data
Conductor cross section solid (min.-max.)
Conductor cross section stranded (min.-max.)
2 Conductors with same cross section, stranded, TWIN ferrules with plastic sleeve, (min.-max.)
AWG Conductor
Insulation Stripping Length
Torque (min.-max.)
Screwdriver

0.2 - 10 mm²
0.2 - 10 mm²
0.5 - 4 mm²
AWG 24 - 8
10 - 12 mm
0.8 - 1.2 Nm
0.6 x 3.5

0.2 - 10 mm²
0.2 - 10 mm²
0.5 - 4 mm²
AWG 24 - 8
10 - 12 mm
0.8 - 1.2 Nm
0.6 x 3.5

Technical Data
Rated Impulse Voltage
Insulation material group / Gauge pin code according to IEC 60947-1
Protection class / Protection conductor type
Fuse Type

6/3
1/B5
IP 20/ -
G/5 x 20 - 5 x 25

6/3
1/B5
IP 20/ -
G/5 x 20 - 5 x 25

Ordering Data
Beige
Grey

Terminal	Qty.	End Plate	Qty.
ERF2BEIGE	50	EPF2BEIGE	25
ERF2GREY	50	EPF2GREY	25

Terminal	Qty.	End Plate	Qty.
ERF2LDXXBEIGE	25	EPF2BEIGE	25
ERF2LDXXGREY	25	EPF2GREY	25

Partition
xx: available in all colours

Partition	Qty.	Partition	Qty.

Partition	Qty.	Partition	Qty.

Cross Connection - Comb Connection

Part Number	Qty.	Part Number	Qty.

Part Number	Qty.	Part Number	Qty.

Cross Connection - Extraction Tool

Part Number	Qty.	Part Number	Qty.

Part Number	Qty.	Part Number	Qty.

End Bracket
xx: Beige or Grey

Part Number	Qty.	Part Number	Qty.
ES1xx	100		
ES4xx	100		
ES7xx	50		
ES3xx	100		

Part Number	Qty.	Part Number	Qty.
ES1xx	100		
ES4xx	100		
ES7xx	50		

Test Plug and Sockets

Part Number	Qty.	Part Number	Qty.

Part Number	Qty.	Part Number	Qty.

Warning Label
Available in White and Yellow

With Symbol	Qty.	Without Symbol	Qty.

With Symbol	Qty.	Without Symbol	Qty.

Group Marking

Part Number	Qty.	Part Number	Qty.
GM	50	GM3	50
GM1-1	25		
GM1-2	25		
GM2-2	25		

Part Number	Qty.	Part Number	Qty.
GM	50	GM3	50
GM1-1	25		
GM1-2	25		
GM2-2	25		

Unprinted Markers

Part Number	Qty.	Part Number	Qty.
DG10/8	260		

Part Number	Qty.	Part Number	Qty.
DG10/8	260		

Voltage, V ~	Current, A	Cross Section
500	10	4 mm²
600	10	AWG 26 - 10

Voltage, V ~	Current, A	Cross Section
	10	4 mm²
	10	AWG 26 - 10

Voltage, V ~	Current, A	Cross Section
500	10	4 mm²
600	10	AWG 26 - 10

Voltage, V ~	Current, A	Cross Section
	10	4 mm²
	10	AWG 26 - 10

0.2 - 6 mm²
0.2 - 6 mm²
0.5 - 2.5 mm²
AWG 24 - 10
9 - 10 mm
0.5 - 0.8 Nm
0.6 x 3.5

0.2 - 6 mm²
0.2 - 6 mm²
0.5 - 2.5 mm²
AWG 24 - 10
9 - 10 mm
0.5 - 0.8 Nm
0.6 x 3.5

0.2 - 6 mm²
0.2 - 6 mm²
0.5 - 2.5 mm²
AWG 24 - 10
9 - 10 mm
0.5 - 0.8 Nm
0.6 x 3.5

0.2 - 6 mm²
0.2 - 6 mm²
0.5 - 2.5 mm²
AWG 24 - 10
9 - 10 mm
0.5 - 0.8 Nm
0.6 x 3.5

6/3
1/A4
IP 20/ -
G/5 x 20 - 5 x 25

6/3
1/A4
IP 20/ -
G/5 x 20 - 5 x 25

6/3
1/A4
IP 20/ -
G/5 x 20 - 5 x 25

6/3
1/A4
IP 20/ -
G/5 x 20 - 5 x 25

Terminal	Qty.	End Plate	Qty.
ERF3MBEIGE	30	EPF3BEIGE	10
ERF3MGREY	30	EPF3GREY	10

Terminal	Qty.	End Plate	Qty.
ERF3MLDXXBEIGE	30	EPF3BEIGE	10
ERF3MLDXXGREY	30	EPF3GREY	10

Terminal	Qty.	End Plate	Qty.
ERF3BEIGE	30	EPF3BEIGE	10
ERF3GREY	30	EPF3GREY	10

Terminal	Qty.	End Plate	Qty.
ERF3LDXXBEIGE	30	EPF3BEIGE	10
ERF3LDXXGREY	30	EPF3GREY	10

Partition	Qty.	Partition	Qty.

Partition	Qty.	Partition	Qty.

Partition	Qty.	Partition	Qty.

Partition	Qty.	Partition	Qty.

Part Number	Qty.	Part Number	Qty.
CCS4/2	25		
CCS4/3	20		
CCS4/4	15		

Part Number	Qty.	Part Number	Qty.
CCS4/2	25		
CCS4/3	20		
CCS4/4	15		

Part Number	Qty.	Part Number	Qty.
CCS4/2	25		
CCS4/3	20		
CCS4/4	15		

Part Number	Qty.	Part Number	Qty.
CCS4/2	25		
CCS4/3	20		
CCS4/4	15		

Part Number	Qty.	Part Number	Qty.

Part Number	Qty.	Part Number	Qty.

Part Number	Qty.	Part Number	Qty.

Part Number	Qty.	Part Number	Qty.

Part Number	Qty.	Part Number	Qty.
ES1xx	100		
ES4xx	100		
ES7xx	50		

Part Number	Qty.	Part Number	Qty.
ES1xx	100		
ES4xx	100		
ES7xx	50		

Part Number	Qty.	Part Number	Qty.
ES1xx	100		
ES4xx	100		

Part Number	Qty.	Part Number	Qty.
ES1xx	100		
ES4xx	100		

Part Number	Qty.	Part Number	Qty.

Part Number	Qty.	Part Number	Qty.

Part Number	Qty.	Part Number	Qty.

Part Number	Qty.	Part Number	Qty.

With Symbol	Qty.	Without Symbol	Qty.

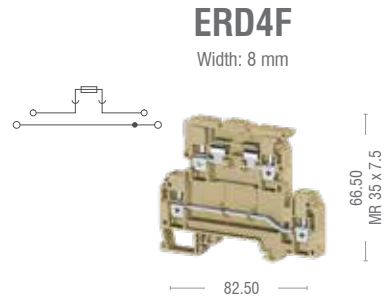
With Symbol	Qty.	Without Symbol	Qty.

With Symbol	Qty.	Without Symbol	Qty.

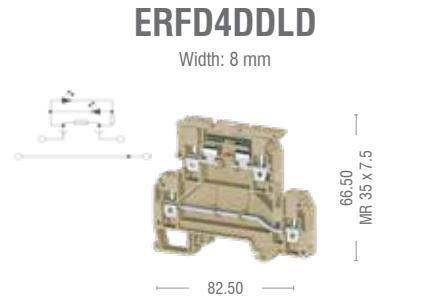
With Symbol	Qty.	Without Symbol	Qty.

Part Number	Qty.	Part Number	Qty.
GM	50	GM3	50
GM1-1	25		
GM1-2	25		
GM2-2	25		

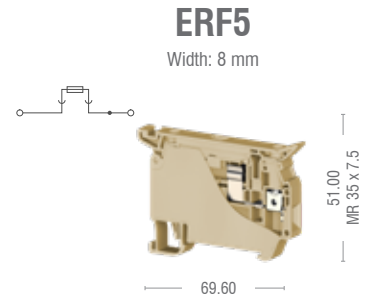
Part Number	Qty.	Part Number	Qty.
GM	50	GM3	50
GM1-1	25		
GM1-2	25		
GM2-2	25		



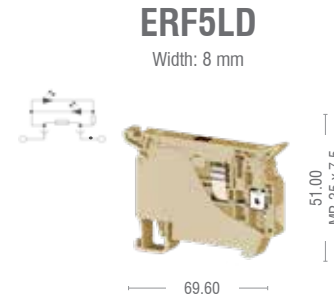
ERD4F
Width: 8 mm
4 mm² Fuse Terminal Block
Double Deck, 2 In, 2 Out
For 35 mm DIN Rail



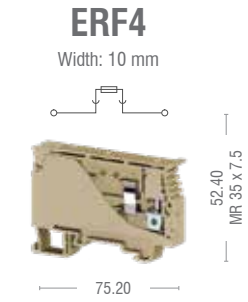
ERFD4DDLD
Width: 8 mm
6 mm² Fuse Terminal Block with LED, Double Deck, 2 In, 2 Out
XX: 24AC/DC, 110AC/DC, 220AC/DC
For 35 mm DIN Rail



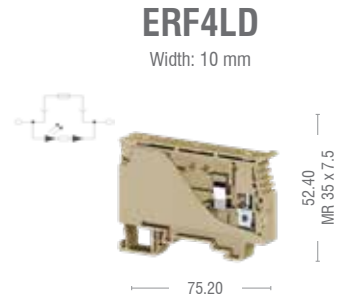
ERF5
Width: 8 mm
4 mm² Fuse Terminal Block
For 35 mm DIN Rail



ERF5LD
Width: 8 mm
4 mm² Fuse Terminal Block with LED
XX: 24AC/DC, 110AC/DC, 220AC/DC
For 35 mm DIN Rail



ERF4
Width: 10 mm
6 mm² Fuse Terminal Block for American Standards
For 35 mm DIN Rail



ERF4LD
Width: 10 mm
6 mm² Fuse Terminal Block for American Standards with LED
XX: 24AC/DC, 48AC/DC, 110AC/DC, 220AC/DC
For 35 mm DIN Rail



Electrical Ratings
CE (EN 60947-7-3)
cRUus
VDE (IEC 60947-7-1)
CSA
IECEX

Connection Data	
Conductor cross section solid (min.-max.)	0.2 - 6 mm ²
Conductor cross section stranded (min.-max.)	0.2 - 6 mm ²
2 Conductors with same cross section, stranded, TWIN ferrules with plastic sleeve, (min.-max.)	0.5 - 2.5 mm ²
AWG Conductor	AWG 24 - 10
Insulation Stripping Length	8 - 9 mm
Torque (min.-max.)	0.5 - 1 Nm
Screwdriver	0.6 x 3.5

Technical Data	
Rated Impulse Voltage	6/3
Insulation material group / Gauge pin code according to IEC 60947-1	1/A4
Protection class / Protection conductor type	IP 20/-
Fuse Type	G/5x20 - 5x25

Ordering Data				
Beige	ERD4FBEIGE	50	EPERD4FBEIGE	10
Grey	ERD4FGREY	50	EPERD4FGREY	10

Partition Plate
xx: available in all colours

Cross Connection - Comb Connection	
CCS6/2	25
CCS6/3	20
CCS6/4	15
CCS6/10	5

Cross Connection - Extraction Tool			
Part Number	Qty.	Part Number	Qty.

End Bracket	
xx: Beige or Grey	
ES1xx	100
ES4xx	100
ES3xx	100

Test Plug and Sockets			
Part Number	Qty.	Part Number	Qty.

Warning Label			
Available in White and Yellow			
With Symbol	Qty.	Without Symbol	Qty.

Group Marking	
GM	50
GM1-1	25
GM1-2	25
GM2-2	25

Unprinted Markers	
DG10/8	260

Voltage, V ~	Current, A	Cross Section
500	32	4 mm ²
600	6.3/30	AWG 26 - 10

Terminal	Qty.	End Plate	Qty.
ERD4FBEIGE	50	EPERD4FBEIGE	10
ERD4FGREY	50	EPERD4FGREY	10

Terminal	Qty.	End Plate	Qty.
ERD4FBEIGE	50	EPERD4FBEIGE	10
ERD4FGREY	50	EPERD4FGREY	10

Terminal	Qty.	End Plate	Qty.
ERD4FBEIGE	50	EPERD4FBEIGE	10
ERD4FGREY	50	EPERD4FGREY	10

Partition	Qty.	Partition	Qty.

Part Number	Qty.	Part Number	Qty.
CCS6/2	25		
CCS6/3	20		
CCS6/4	15		
CCS6/10	5		

Part Number	Qty.	Part Number	Qty.

Part Number	Qty.	Part Number	Qty.
ES1xx	100		
ES4xx	100		
ES3xx	100		

Part Number	Qty.	Part Number	Qty.

With Symbol	Qty.	Without Symbol	Qty.

Part Number	Qty.	Part Number	Qty.
GM	50		
GM1-1	25		
GM1-2	25		
GM2-2	25		

Part Number	Qty.	Part Number	Qty.
DG10/8	260		

Voltage, V ~	Current, A	Cross Section
24	32	4 mm ²
300	6.3/30	AWG 26 - 10

Terminal	Qty.	End Plate	Qty.
ERFD4DDLDXXBEIGE	50	EPERD4FBEIGE	10
ERFD4DDLDXXGREY	50	EPERD4FGREY	10

Terminal	Qty.	End Plate	Qty.
ERFD4DDLDXXBEIGE	50	EPERD4FBEIGE	10
ERFD4DDLDXXGREY	50	EPERD4FGREY	10

Terminal	Qty.	End Plate	Qty.
ERFD4DDLDXXBEIGE	50	EPERD4FBEIGE	10
ERFD4DDLDXXGREY	50	EPERD4FGREY	10

Partition	Qty.	Partition	Qty.

Part Number	Qty.	Part Number	Qty.
CCS6/2	25		
CCS6/3	20		
CCS6/4	15		
CCS6/10	5		

Part Number	Qty.	Part Number	Qty.

Part Number	Qty.	Part Number	Qty.
ES1xx	100		
ES4xx	100		
ES3xx	100		

Part Number	Qty.	Part Number	Qty.

With Symbol	Qty.	Without Symbol	Qty.

Part Number	Qty.	Part Number	Qty.
GM	50		
GM1-1	25		
GM1-2	25		
GM2-2	25		

Part Number	Qty.	Part Number	Qty.
DG10/8	260		

Voltage, V ~	Current, A	Cross Section
500	10	4 mm ²
300	10	AWG 26 - 10

Terminal	Qty.	End Plate	Qty.
ERF5BEIGE	50		
ERF5GREY	50		

Terminal	Qty.	End Plate	Qty.
ERF5BEIGE	50		
ERF5GREY	50		

Terminal	Qty.	End Plate	Qty.
ERF5BEIGE	50		
ERF5GREY	50		

Partition	Qty.	Partition	Qty.

Part Number	Qty.	Part Number	Qty.
CCS6/2	25		
CCS6/3	20		
CCS6/4	15		
CCS6/10	5		

Part Number	Qty.	Part Number	Qty.

Part Number	Qty.	Part Number	Qty.
ES1xx	100		
ES4xx	100		
ES7xx	50		

Part Number	Qty.	Part Number	Qty.

With Symbol	Qty.	Without Symbol	Qty.

Part Number	Qty.	Part Number	Qty.

Part Number	Qty.	Part Number	Qty.

Voltage, V ~	Current, A	Cross Section
	10	4 mm ²
	10	AWG 26 - 10

Terminal	Qty.	End Plate	Qty.
ERF5LDXXBEIGE	50		
ERF5LDXXGREY	50		

Terminal	Qty.	End Plate	Qty.
ERF5LDXXBEIGE	50		
ERF5LDXXGREY	50		

Terminal	Qty.	End Plate	Qty.
ERF5LDXXBEIGE	50		
ERF5LDXXGREY	50		

Partition	Qty.	Partition	Qty.

Part Number	Qty.	Part Number	Qty.
CCS6/2	25		
CCS6/3	20		
CCS6/4	15		
CCS6/10	5		

Part Number	Qty.	Part Number	Qty.

Part Number	Qty.	Part Number	Qty.
ES1xx	100		
ES4xx	100		
ES7xx	50		

Part Number	Qty.	Part Number	Qty.

With Symbol	Qty.	Without Symbol	Qty.

Part Number	Qty.	Part Number	Qty.

Part Number	Qty.	Part Number	Qty.

Voltage, V ~	Current, A	Cross Section
750	6.3	6 mm ²
600	6.3	AWG 22 - 8

Terminal	Qty.	End Plate	Qty.
ERF4BEIGE	20		
ERF4GREY	20		

Terminal	Qty.	End Plate	Qty.
ERF4BEIGE	20		
ERF4GREY	20		

Terminal	Qty.	End Plate	Qty.
ERF4BEIGE	20		
ERF4GREY	20		

Partition	Qty.	Partition	Qty.

Part Number	Qty.	Part Number	Qty.

Part Number	Qty.	Part Number	Qty.

Part Number	Qty.	Part Number	Qty.
ES1xx	100		
ES4xx	100		

Part Number	Qty.	Part Number	Qty.

With Symbol	Qty.	Without Symbol	Qty.

Part Number	Qty.	Part Number	Qty.
GM	50		

Part Number	Qty.	Part Number	Qty.
DG10/8	260		