

Empty plastic enclosures IEC/EN IP65 type



GAZ1

GAZ2



GAZ3



GAX30

Order code	Description	Qty per pkg	Wt
		n°	[kg]

For switch disconnectors.
With red/yellow handle. Complete with shaft extension.

GAZ1	For GA016 A...GA040 A/D	1	0.320
GAZ2	For GA063 SA, GA030 A and GA063 A...GA100 A	1	0.780
GAZ3	For GA125 A...GA160 A	1	1.900

With black handle. Complete with shaft extension.

GAZ1 B	For GA016 A...GA040 A/D	1	0.320
GAZ2 B	For GA063 SA, GA030 A and GA063 A...GA100 A	1	0.730
GAZ3 B	For GA125 A...GA160 A	1	1.900

Accessory.

GAX 30	Shielded cable fixing kit for GAZ1 and GAZ1B	1	0.083
---------------	--	---	-------

The empty enclosures are supplied with the following accessories:

Enclosure	GAZ1 GAZ1B	GAZ2 GAZ2B	GAZ3 GAZ3B
Red/yellow handle	GAX61	GAX61	GAX61
Black handle	GAX61B	GAX61B	GAX61B
Extension	1	1	1
Neutral plate terminal	1	1	-
Earth/Ground plate terminal	1	1	-

General characteristics

- Enclosure material: ABS
- For four-pole types not indicated, separately purchase corresponding fourth pole GAX4...A and install on enclosed 3-pole version
- Possible accessories to mount afterwards, if any required:
 - GAX30 to provide shielded cable connection continuity (e.g. with static converters)
 - GAZ016...GAZ040...: 1 contact block both on the right and left disconnector side unless 4th pole is installed
 - Other types: 2 contact blocks both on the right and left disconnector side unless 4th pole is installed
 - GAZ125...GAZ160...: if any earth/ground and/or neutral terminal required, separately purchase types GAX3... given on page 11–9.
- Padlockable handles
- Sealable cover
- Tightening torque for cover screws:
 - GAZ016...GAZ040... and GAZ1...: 1.3Nm/16lbin
 - Other types: 1.5Nm/13lbin
- Degree of protection: IP65
- Cable entry:
 - GAZ016..., GAZ040... and GAZ1... types: PG16/M25 and PG13.5/M20 knockouts
 - GAZ063SA...GAZ100... and GAZ2... types: PG16/M25 and PG29/M32 knockouts
 - GAZ125..., GAZ160... and GAZ3 types: smooth surfaces; can be drilled by customer.

Certifications and compliance

Certifications obtained: EAC
Compliant with standards: IEC/EN 60947-3, IEC/EN 60947-1.

Empty plastic enclosures UL/CSA Type 4/4X



GAZ1 UL



GAZ2 UL



GAX30

Order code	Description	Qty per pkg	Wt
		no.	[kg]

For switch disconnectors.
With red/yellow handle. Complete with shaft extension.

GAZ1 UL	For GA016 A...GA040 A and GA040 D	1	0.320
GAZ2 UL	For GA063 SA	1	0.730

With black handle. Complete with shaft extension.

GAZ1 B UL	For GA016 A...GA040 A and GA040 D	1	0.320
GAZ2 B UL	For GA063 SA	1	0.730

Accessory.

GAX 30	Shielded cable fixing kit for GAZ1UL and GAZ1BUL	1	0.083
---------------	--	---	-------

The empty enclosures are supplied with the following accessories:

Enclosure	GAZ1UL GAZ1BUL	GAZ2UL GAZ2BUL
Red/yellow handle	GAX61	GAX61
Black handle	GAX61B	GAX61B
Extension	1	1
Neutral plate terminal	1	1
Earth/Ground plate terminal	1	1

General characteristics

- Enclosure material: Polycarbonate
- For four-pole types not indicated, separately purchase corresponding fourth pole GAX4...A and install on enclosed 3-pole UL-suffix version
- Possible accessories to mount afterwards, if any required:
 - GAX30 to provide shielded cable connection continuity (e.g. with static converters)
 - GAZ016...GAZ040...: 1 contact block both on the right and left disconnector side unless 4th pole is installed
 - Other types: 2 contact blocks both on the right and left disconnector side unless 4th pole is installed
- Padlockable handles
- Sealable cover
- Tightening torque for cover screws:
 - GAZ016...GAZ040...UL and GAZ1...UL: 1.3Nm/16lbin
 - Other types: 1.5Nm/13lbin
- Degree of protection: IP65; UL/CSA Type 4/4X
- Cable entry:
 - GAZ016...GAZ040...UL and GAZ1...UL types: PG16/M25 and PG13.5/M20 knockouts
 - GAZ063SA...UL and GAZ2...UL types: PG16/M25 and PG29/M32 knockouts
 - GAZ063...GAZ125...UL types: Smooth surfaces; can be drilled by customer.

Certifications and compliance

Certifications obtained: EAC for all; cULus for GAZ016...GAZ125...UL, GAZ1...UL and GAZ2...UL types.
Compliant with standards: IEC/EN 60947-3, IEC/EN 60947-1, UL60947-4-1 and CSA C22.2 n°60947-4-1 (up to GAZ063SA...), UL98 and CSA C22.2 n°4 (for all others).

11 Switch disconnectors

GA series 16A to 160A

Switch disconnectors in plastic enclosure

IEC/EN IP65 in plastic enclosure



GAZ016...GAZ040...



GAZ063...100 C



GAZ125... GAZ160...

Order code	IEC conventional free air thermal current I _{th} AC21A (≤690V)	Qty per pkg	Wt
	[A]	n°	[kg]

THREE-POLE.
With red/yellow handle.

GAZ016	16	1	0.450
GAZ025	25	1	0.450
GAZ032	32	1	0.450
GAZ040	40	1	0.450
GAZ063 SA	63	1	0.870
GAZ063 C	63	1	1.220
GAZ080 C	80	1	1.220
GAZ100 C	100	1	1.220
GAZ125	125	1	2.220
GAZ160	160	1	2.220

THREE-POLE.
With black handle.

GAZ016 B	16	1	0.450
GAZ025 B	25	1	0.450
GAZ032 B	32	1	0.450
GAZ040 B	40	1	0.450
GAZ063 SAB	63	1	0.870
GAZ063 CB	63	1	1.220
GAZ080 CB	80	1	1.220
GAZ100 CB	100	1	1.220
GAZ125 B	125	1	2.220
GAZ160 B	160	1	2.220

FOUR-POLE.
With red/yellow handle.

GAZ016 T4	16	1	0.550
GAZ032 T4	32	1	0.550
GAZ040 T4	40	1	0.550
GAZ063 SAT4	63	1	0.780
GAZ063 CT4	63	1	1.250
GAZ100 CT4	100	1	1.250
GAZ125 T4	125	1	2.500
GAZ160 T4	160	1	2.500

FOUR-POLE.
With black handle.

GAZ016 T4B	16	1	0.550
GAZ032 T4B	32	1	0.550
GAZ040 T4B	40	1	0.550
GAZ063 SAT4B	63	1	0.780
GAZ063 CT4B	63	1	1.250
GAZ100 CT4B	100	1	1.250
GAZ125 T4B	125	1	2.500
GAZ160 T4B	160	1	2.500

Components

Enclosure	Switch disconnector	Handle
GAZ1	GA016 A	GAX61
GAZ1	GA025 A	GAX61
GAZ1	GA032 A	GAX61
GAZ1	GA040 A	GAX61
GAZ2	GA063 SA	GAX61
GAZ2	GA063 A	GAX61
GAZ2	GA080 A	GAX61
GAZ2	GA100 A	GAX61
GAZ3	GA125 A	GAX61
GAZ3	GA160 A	GAX61

GAZ1 B	GA016 A	GAX61 B
GAZ1 B	GA025 A	GAX61 B
GAZ1 B	GA032 A	GAX61 B
GAZ1 B	GA040 A	GAX61 B
GAZ2 B	GA063 SA	GAX61 B
GAZ2 B	GA063 A	GAX61 B
GAZ2 B	GA080 A	GAX61 B
GAZ2 B	GA100 A	GAX61 B
GAZ3 B	GA125 A	GAX61 B
GAZ3 B	GA160 A	GAX61 B

Enclosure	Switch disconnector	4th pole	Handle
GAZ1	GA016 A	GAX42040A	GAX61
GAZ1	GA032 A	GAX42040A	GAX61
GAZ1	GA040 A	GAX42040A	GAX61
GAZ2	GA063 SA	GAX42063SA	GAX61
GAZ2	GA063 A	GAX42063A	GAX61
GAZ2	GA100 A	GAX42100A	GAX61
GAZ3	GA125 A	GAX42125A	GAX61
GAZ3	GA160 A	GAX42160A	GAX61

GAZ1 B	GA016 A	GAX42040A	GAX61 B
GAZ1 B	GA032 A	GAX42040A	GAX61 B
GAZ1 B	GA040 A	GAX42040A	GAX61 B
GAZ2 B	GA063 SA	GAX42063SA	GAX61 B
GAZ2 B	GA063 A	GAX42063A	GAX61 B
GAZ2 B	GA100 A	GAX42100A	GAX61 B
GAZ3 B	GA125 A	GAX42125A	GAX61 B
GAZ3 B	GA160 A	GAX42160A	GAX61 B

11 Switch disconnectors

GA series 16A to 125A

Switch disconnectors in plastic enclosure

UL/CSA, Type 4/4X in plastic enclosure



GAZ016...GAZ040...UL



GAZ063 SA UL



GAZ063 UL - GAZ125 UL

UL/CSA ratings

Type	1 phase [HP]		3 phase [HP]				General use at 600VAC [A]	Short-circuit rating at 600VAC [kA]	Fuse class - max rating at 600V Type - [A]
	120V	240V	200-208V	240V	480V	600V			
GAZ016...	1	2	5	5	10	10	16	5	RK5 - 20A
GAZ025...	1½	3	7½	7½	15	20	25	5	RK5 - 30A
GAZ032...	2	5	10	10	20	20	32	5	RK5 - 35A
GAZ040...	2	5	10	15	20	25	40	5	RK5 - 45A
GAZ063S...	2	7½	10	15	30	30	60	5	RK5 - 45A

NOTE: Above ratings are valid for GAZ016 - GAZ063S...UL types, according to UL508 and CSA 22.2 n°14. UL Listed for USA and Canada (cULus - File E93602), as Manual Motor Controllers while UL designation is "GENERAL PURPOSE SWITCH. INTERRUPTEUR USAGE GENERAL" and "SUITABLE AS MOTOR DISCONNECT"; GAZ063S... pending.

Type	1 phase [HP]		3 phase [HP]				General use at 600VAC [A]	Short-circuit rating at 600VAC [kA]	Max fuse rating at 600V [A]
	120V	240V	200-208V ^②	240V	480V	600V			
GAZ063C...	3	7½	20	20	40	40	60	10	100
GAZ080...	3	10	25	25	40	40	100	10	100
GAZ100...	5	10	30	30	50	50	100	10	100
GAZ125...	7½	10	30	30	60	60	100	10	100

NOTE: Above ratings are valid for GAZ063C - GAZ125... types, according to UL98 and CSA C22.2 n°4. For indication and reference purposes only while cCSAus is pending.

① Lower ratings in this same UL/CSA category are available on specific request for volume orders. For information, consult Technical support; see contact details on inside front cover.

② Voltage value not considered in UL98 / CSA 22.2 n°4 standards.

Order code	IEC conventional free air thermal current Ith AC21A (≤690V)	Qty per pkg	Wt
	[A]	n°	[kg]

THREE-POLE.
With red/yellow handle.

GAZ016 UL	16	1	0.450
GAZ025 UL	25	1	0.450
GAZ032 UL	32	1	0.450
GAZ040 UL	40	1	0.450
GAZ063 SA UL	63	1	0.870
GAZ063 UL	63	1	1.220
GAZ080 UL	80	1	2.220
GAZ100 UL	100	1	2.220
GAZ125 UL	125	1	2.220

THREE-POLE.
With black handle.

GAZ016 B UL	16	1	0.450
GAZ025 B UL	25	1	0.450
GAZ032 B UL	32	1	0.450
GAZ040 B UL	40	1	0.450
GAZ063 SAB UL	63	1	0.870
GAZ063 B UL	63	1	1.220
GAZ080 B UL	80	1	2.220
GAZ100 B UL	100	1	2.220
GAZ125 B UL	125	1	2.220

FOUR-POLE.
With red/yellow handle.

GAZ016 T4 UL	16	1	0.550
GAZ032 T4 UL	32	1	0.550
GAZ063 T4 UL	63	1	1.150
GAZ100 T4 UL	100	1	2.500
GAZ125 T4 UL	125	1	2.500

FOUR-POLE.
With black handle.

GAZ016 T4B UL	16	1	0.550
GAZ032 T4B UL	32	1	0.550
GAZ063 T4B UL	63	1	1.150
GAZ100 T4B UL	100	1	2.500
GAZ125 T4B UL	125	1	2.500

Components

Enclosure	Switch disconnector	Handle
GAZ1 UL	GA016 A	GAX61
GAZ1 UL	GA025 A	GAX61
GAZ1 UL	GA032 A	GAX61
GAZ1 UL	GA040 A	GAX61
GAZ2 UL	GA063 SA	GAX61
GAZ3 ①	GA063 A	GAX61
GAZ3 ①	GA080 A	GAX61
GAZ3 ①	GA100 A	GAX61
GAZ3 ①	GA125 A	GAX61

GAZ1 B UL	GA016 A	GAX61 B
GAZ1 B UL	GA025 A	GAX61 B
GAZ1 B UL	GA032 A	GAX61 B
GAZ1 B UL	GA040 A	GAX61 B
GAZ2 B UL	GA063 SA	GAX61 B
GAZ3 B ①	GA063 A	GAX61 B
GAZ3 B ①	GA080 A	GAX61 B
GAZ3 B ①	GA100 A	GAX61 B
GAZ3 B ①	GA125 A	GAX61 B

Enclosure	Switch disconnector	4th pole	Handle
GAZ1 UL	GA016 A	GAX42040A	GAX61
GAZ1 UL	GA032 A	GAX42040A	GAX61
GAZ3 ①	GA063 A	GAX42063A	GAX61
GAZ3 ①	GA100 A	GAX42100A	GAX61
GAZ3 ①	GA125 A	GAX42125A	GAX61

GAZ1 B UL	GA016 A	GAX42040A	GAX61 B
GAZ1 B UL	GA032 A	GAX42040A	GAX61 B
GAZ3 B ①	GA063 A	GAX42063A	GAX61 B
GAZ3 B ①	GA100 A	GAX42100A	GAX61 B
GAZ3 B ①	GA125 A	GAX42125A	GAX61 B

① For major details contact our Technical support; see contact details on inside front cover.

11 Switch disconnectors

GA series 16A to 160A

Changeover switches in plastic enclosure



UL/CSA, Type 4/4X in plastic enclosure



GAZ 025 E...GAZ 063SA E...



GAZ 080 E...
GAZ 160 E...

Order code	IEC conventional free air thermal current I _{th} AC21A (≤690V)	IEC rated operational current I _e		Qty per pkg	Wt
		AC23B (≤400V)	AC23B (≤500V)		
	[A]	[A]	[A]	n°	[kg]

3-pole line changeover switches I-O-II.

GAZ025 ET6	25	25	25	1	1.060
GAZ040 ET6	40	40	25	1	1.060
GAZ063SA ET6	63	45	25	1	1.070
GAZ080 ET6	80	80	63	1	2.950
GAZ125 ET6	125	125	100	1	2.950
GAZ160 ET6	160	125	100	1	2.950

4-pole line changeover switches I-O-II.

GAZ025 ET8	25	25	25	1	1.060
GAZ040 ET8	40	40	25	1	1.060
GAZ063SA ET8	63	45	25	1	1.070
GAZ080 ET8	80	80	63	1	2.950
GAZ125 ET8	125	125	100	1	2.950
GAZ160 ET8	160	125	100	1	2.950

UL/CSA ratings

Type	1 phase [HP]		3 phase [HP]				General use at 600VAC	Short-circuit rating at 600VAC	Fuse class - max rating at 600V
	120V	240V	200-208V	240V	480V	600V			
GAZ025...	1½	3	7½	7½	15	20	25	5	RK5 - 30A
GAZ040...	2	5	10	15	20	25	40	5	RK5 - 45A
GAZ063S...	2	7½	10	15	30	30	60	5	RK5 - 45A

NOTE: Above ratings are valid for GAZ025-GAZ040ET... types, according to UL508 and CSA 22.2 n°14. For indication and references purposes only while cCSAus is pending.

Type	1 phase [HP]		3 phase [HP]				General use at 600VAC	Short-circuit rating at 600VAC	Max fuse rating at 600V
	120V	240V	200-208V	240V	480V	600V			
GA080...	3	10	25	25	40	40	100	10	100
GA125...	7½	10	30	30	60	60	100	10	100

NOTE: Above ratings are valid for GAZ080-GAZ125ET... types, according to UL98 and CSA C22.2 N°4. For indication and references purposes only while cCSAus is pending.

① Voltage value not considered in UL98 / CSA 22.2 n°4 standards so not indicated in UL product marking.

Components

Enclosure	Switch disconnectors	Interlock	Handle
GAZ UL ①	2x GA025A	GAX5000	GAX67 B
GAZ UL ①	2x GA040A	GAX5000	GAX67 B
GAZ UL ①	2x GA063SA	GAX5000	GAX67 B
GAZ3 ①	2x GA080A	GAX5001	GAX67 B
GAZ3 ①	2x GA125A	GAX5001	GAX67 B
GAZ3 ①	2x GA160A	GAX5001	GAX67 B
Enclosure	Switch disconnectors	Interlock	Handle
GAZ UL ①	2x GA025A + 2x GAX42040A	GAX5000	GAX67 B
GAZ UL ①	2x GA040A+ 2x GAX42040A	GAX5000	GAX67 B
GAZ UL ①	2x GA063SA+ 2x GAX42063SA	GAX5000	GAX67 B
GAZ3 ①	2x GA080A+ 2x GAX42080A	GAX5001	GAX67 B
GAZ3 ①	2x GA125A+ 2x GAX42125A	GAX5001	GAX67 B
GAZ3 ①	2x GA160A+ 2x GAX42160A	GAX5001	GAX67 B

① For major details contact our Technical support; see contact details on inside front cover.

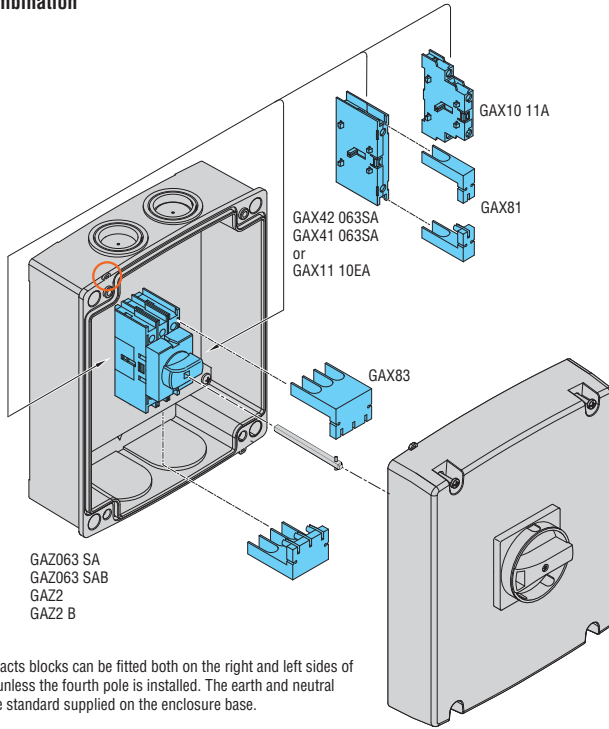
General characteristics

- Enclosure material: Polycarbonate
- Possibility of fitting:
 - 2 contact blocks both on the right and left side for GAZ...ET6 types
 - 1 contact block both on the right and left side for GAZ...ET8 types
- Padlockable handle complete with extension
- Earth and neutral plate terminals
- Sealable enclosure cover
- Tightening torque for cover screws: 1.5Nm/13lbin
- Degree of protection: IP65; UL/CSA type 4/4X
- Cable entry:
 - GAZ025...GAZ063SA... types: PG16/M25 and PG29/M32 knockouts
 - GAZ080... and GAZ160... types: Smooth surfaces; can be drilled by customer.

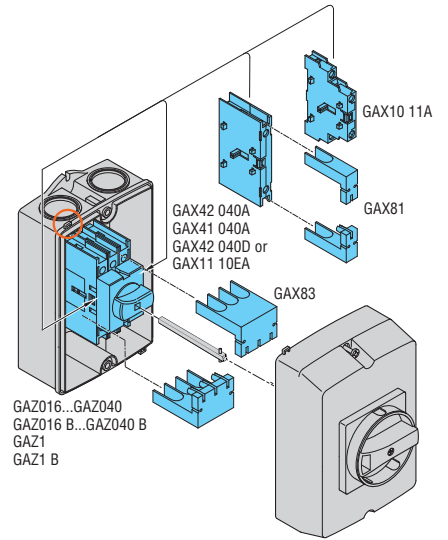
Certifications and compliance

Certifications obtained: cULus (except GAZ160E...), EAC. Compliant with standards: IEC/EN 60947-3, IEC/EN 60947-1, UL60947-4-1 and CSA C22.2 n°60947-4-1 (up to GAZ063SA...), UL98 and CSA C22.2 n°4 (for all others except GAZ160E...).

Maximum combination Enclosures

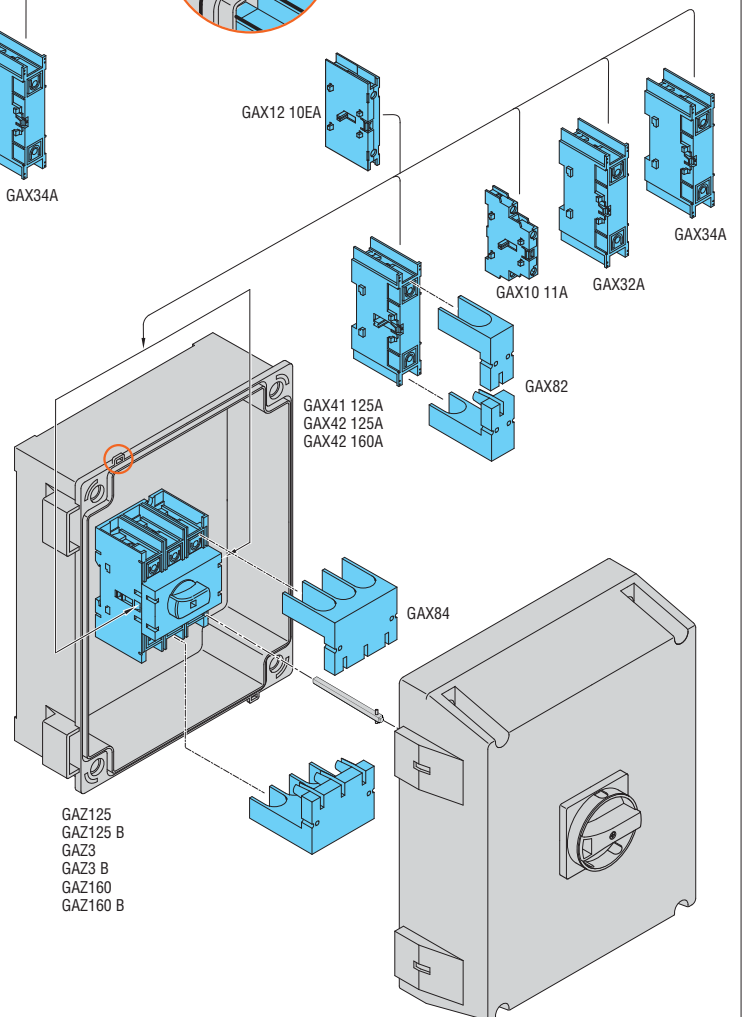
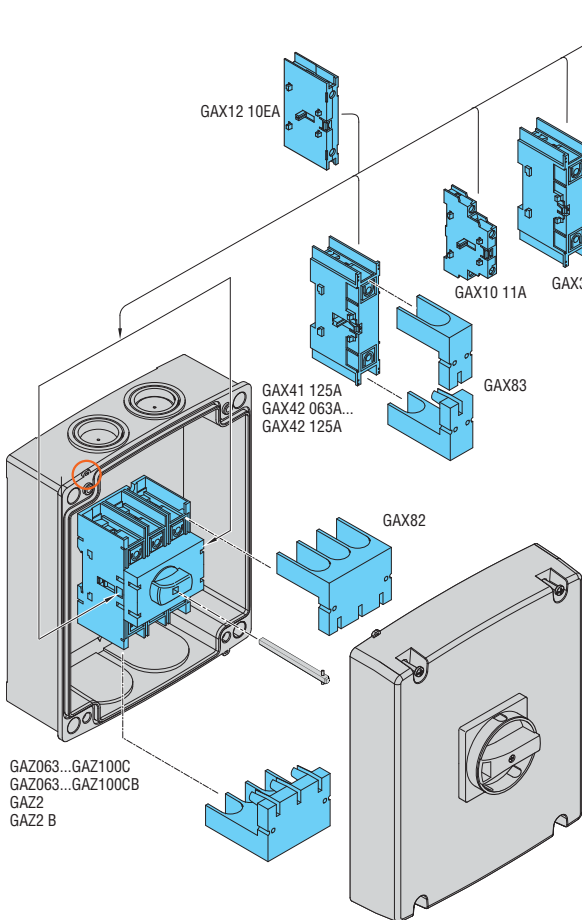
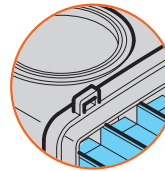


Two auxiliary contacts blocks can be fitted both on the right and left sides of the disconnector unless the fourth pole is installed. The earth and neutral plate terminals are standard supplied on the enclosure base.



One auxiliary contact block can be fitted on the right and left sides of the disconnector unless the fourth pole is installed. The earth and neutral plate terminals are standard supplied on the enclosure base.

Sealing eyelet



Two auxiliary contact blocks can be fitted both on the right and left sides of the disconnector unless the fourth pole is installed. Earth and neutral plate terminals are standard supplied on the box base. If any earth/ground and/or neutral terminals are required, type GAX3.... purchase separately.

11 Switch disconnectors

GA series 16A to 160A

Switch disconnectors in metal enclosure

IEC/EN IP65 in metal enclosure



GAZM016...GAZM100...



GAZM125...GAZM160...

Order code	IEC conventional free air thermal current I _{th} AC21A (≤690V)	Qty per pkg	Wt
	[A]	n°	[kg]

THREE-POLE.
With red/yellow handle.

GAZM016	16	1	2.150
GAZM025	25	1	2.150
GAZM032	32	1	2.150
GAZM040	40	1	2.150
GAZM063 SA	63	1	2.150
GAZM063	63	1	2.380
GAZM080	80	1	2.380
GAZM100	100	1	2.380
GAZM125	125	1	3.550
GAZM160	160	1	3.550

new

THREE-POLE.
With black handle.

GAZM016 B	16	1	2.150
GAZM025 B	25	1	2.150
GAZM032 B	32	1	2.150
GAZM040 B	40	1	2.150
GAZM063 SAB	63	1	2.150
GAZM063 B	63	1	2.380
GAZM080 B	80	1	2.380
GAZM100 B	100	1	2.380
GAZM125 B	125	1	3.550
GAZM160 B	160	1	3.550

new

FOUR-POLE.
With red/yellow handle.

GAZM016 T4	16	1	2.195
GAZM032 T4	32	1	2.195
GAZM040 T4	40	1	2.195
GAZM063 SAT4	63	1	2.195
GAZM063 T4	63	1	2.506
GAZM100 T4	100	1	2.506
GAZM125 T4	125	1	3.676
GAZM160 T4	160	1	3.676

new

FOUR-POLE.
With black handle.

GAZM016 T4B	16	1	2.195
GAZM032 T4B	32	1	2.195
GAZM040 T4B	40	1	2.195
GAZM063 SAT4B	63	1	2.195
GAZM063 T4B	63	1	2.506
GAZM100 T4B	100	1	2.506
GAZM125 T4B	125	1	3.676
GAZM160 T4B	160	1	3.676

new

Components

Enclosure dimensions	Switch disconnector	Handle
150x200x120	GA016 A	GAX61
150x200x120	GA025 A	GAX61
150x200x120	GA032 A	GAX61
150x200x120	GA040 A	GAX61
150x200x120	GA063 SA	GAX61
150x200x120	GA063 A	GAX61
150x200x120	GA080 A	GAX61
150x200x120	GA100 A	GAX61
200x300x120	GA125 A	GAX61
200x300x120	GA160 A	GAX61

150x200x120	GA016 A		GAX61 B
150x200x120	GA025 A		GAX61 B
150x200x120	GA032 A		GAX61 B
150x200x120	GA040 A		GAX61 B
150x200x120	GA063 SA		GAX61 B
150x200x120	GA063 A		GAX61 B
150x200x120	GA080 A		GAX61 B
150x200x120	GA100 A		GAX61 B
200x300x120	GA125 A		GAX61 B
200x300x120	GA160 A		GAX61 B

Enclosure dimensions	Switch disconnector	4th pole	Handle
150x200x120	GA016 A	GAX42040A	GAX61
150x200x120	GA032 A	GAX42040A	GAX61
150x200x120	GA040 A	GAX42040A	GAX61
150x200x120	GA063 SA	GAX42063SA	GAX61
150x200x120	GA063 A	GAX42063A	GAX61
150x200x120	GA100 A	GAX42100A	GAX61
200x300x120	GA125 A	GAX42125A	GAX61
200x300x120	GA160 A	GAX42160A	GAX61

150x200x120	GA016 A	GAX42040A	GAX61 B
150x200x120	GA032 A	GAX42040A	GAX61 B
150x200x120	GA040 A	GAX42040A	GAX61 B
150x200x120	GA063 SA	GAX42063SA	GAX61 B
150x200x120	GA063 A	GAX42063A	GAX61 B
150x200x120	GA100 A	GAX42100A	GAX61 B
200x300x120	GA125 A	GAX42125A	GAX61 B
200x300x120	GA160 A	GAX42160A	GAX61 B

General characteristics

- Painted sheet steel enclosure
- Padlockable handle
- Front door closing with screws
- Degree of protection: IP65
- Cable entry: smooth surfaces; can be drilled by customer.

Certifications and compliance

Certifications: EAC (pending).
Compliant with standards: IEC/EN 60947-3, IEC/EN 60947-1.

11 Switch disconnectors

GA series 16A to 160A

Changeover switches in metal enclosure and switch disconnectors in stainless steel AISI 304 enclosure

IEC/EN IP65 in metal enclosure



GAZM080 ET8...GAZM160 ET8...

new

Order code	IEC conventional thermal current Ith AC21A (≤690V)	IEC rated operational current Ie AC23B (≤400V)	AC23B (≤500V)	Qty per pkg	Wt [kg]
	[A]	[A]	[A]	n°	[kg]
3-pole line changeover switches I-0-II. Black handle					
GAZM025 ET6	25	25	25	1	1.983
GAZM040 ET6	40	40	25	1	1.983
GAZM063SA ET6	63	45	25	1	1.983
GAZM080 ET6	80	80	63	1	3.156
GAZM125 ET6	125	125	100	1	3.156
GAZM160 ET6	160	125	100	1	3.156
4-pole line changeover switches I-0-II. Black handle.					
GAZM025 ET8	25	25	25	1	2.100
GAZM040 ET8	40	40	25	1	2.100
GAZM063SA ET8	63	45	25	1	2.100
GAZM080 ET8	80	80	63	1	5.953
GAZM125 ET8	125	125	100	1	5.953
GAZM160 ET8	160	125	100	1	5.953

new

IEC/EN IP65 in stainless steel AISI 304 enclosure



GAZS016...GAZS100...

new

Order code	IEC conventional free air thermal current Ith AC21A (≤690V)	Qty per pkg	Wt [kg]
	[A]	n°	[kg]
THREE-POLE. With red/yellow handle.			
GAZS016	16	1	2.150
GAZS025	25	1	2.150
GAZS032	32	1	2.150
GAZS040	40	1	2.150
GAZS063 SA	63	1	2.150
GAZS063	63	1	2.380
GAZS100	100	1	2.380
THREE-POLE. With black handle.			
GAZS016 B	16	1	2.150
GAZS025 B	25	1	2.150
GAZS032 B	32	1	2.150
GAZS040 B	40	1	2.150
GAZS063 SAB	63	1	2.150
GAZS063 B	63	1	2.380
GAZS100 B	100	1	2.380

new

Components

Enclosure dimensions	Switches disconnectors	Interlock	Handle
150x200x120	2x GA025A	GAX5000	GAX67 B
150x200x120	2x GA040A	GAX5000	GAX67 B
150x200x120	2x GA063SA	GAX5000	GAX67 B
200x300x120	2x GA080A	GAX5001	GAX67 B
200x300x120	2x GA125A	GAX5001	GAX67 B
200x300x120	2x GA160A	GAX5001	GAX67 B
Enclosure dimensions	Switch disconnectors	Interlock	Handle
150x200x120	2x GA025A + 2x GAX42040A	GAX5000	GAX67 B
150x200x120	2x GA040A+ 2x GAX42040A	GAX5000	GAX67 B
150x200x120	2x GA063SA+ 2x GAX42063SA	GAX5000	GAX67 B
300x400x120	2x GA080A+ 2x GAX42080A	GAX5001	GAX67 B
300x400x120	2x GA125A+ 2x GAX42125A	GAX5001	GAX67 B
300x400x120	2x GA160A+ 2x GAX42160A	GAX5001	GAX67 B

General characteristics

- Painted sheet steel enclosure
- Padlockable handle
- Front door closing with screws and hinges on the right side of the enclosure (GAZM080 ET8...GAZM160 ET8...)
- Degree of protection: IP65
- Cable entry: smooth surfaces; can be drilled by customer.

Certifications and compliance

Certifications: EAC (pending).
Compliant with standards: IEC/EN 60947-3, IEC/EN 60947-1.

Components

Enclosure dimensions	Switch disconnector	Handle
150x200x120	GA016 A	GAX61
150x200x120	GA025 A	GAX61
150x200x120	GA032 A	GAX61
150x200x120	GA040 A	GAX61
150x200x120	GA063 SA	GAX61
150x200x120	GA063 A	GAX61
150x200x120	GA100 A	GAX61
150x200x120	GA016 A	GAX61 B
150x200x120	GA025 A	GAX61 B
150x200x120	GA032 A	GAX61 B
150x200x120	GA040 A	GAX61 B
150x200x120	GA063 SA	GAX61 B
150x200x120	GA063 A	GAX61 B
150x200x120	GA100 A	GAX61 B

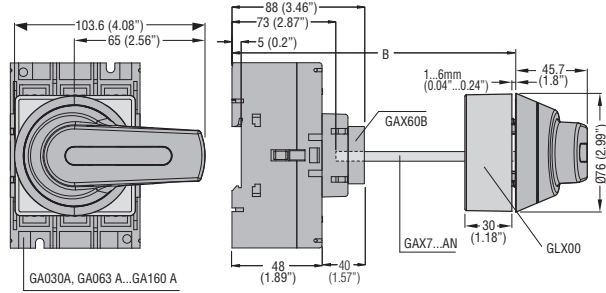
General characteristics

- AISI 304 stainless steel enclosure
- Padlockable handle
- Front door closing with screws
- Degree of protection: IP65
- Cable entry: smooth surfaces; can be drilled by customer
- For four-pole versions add the corresponding GAX42...A fourth pole to the switch disconnector.

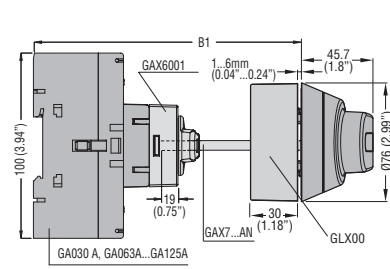
Certifications and compliance

Certifications: EAC (pending).
Compliant with standards: IEC/EN 60947-3, IEC/EN 60947-1.

GAX7...AN used with GAX60 B and GAX66N/66NB



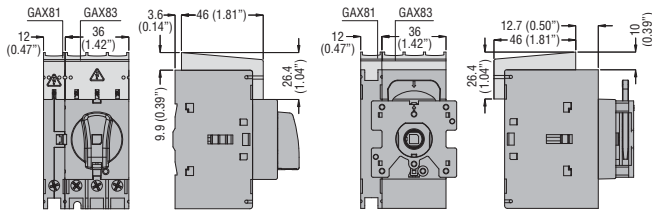
GAX7...A used with GAX60 01 and GAX66N/66NB



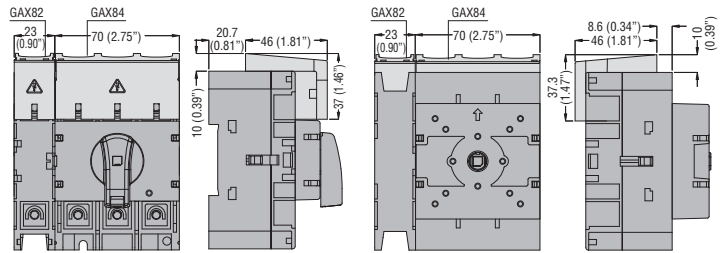
Extension	Length	B		B1
		with GAX66/66B handle		
	[mm(in)]	[mm(in)]	[mm(in)]	[mm(in)]
GAX7 150AN	178 (7.00)	120...226 (4.72"...9.00")	120...223 (4.72"...8.80")	120...223 (4.72"...8.80")
GAX7 200AN	228 (8.98)	120...276 (4.72"...10.87")	120...273 (4.72"...10.75")	120...273 (4.72"...10.75")
GAX7 300AN	328 (12.91)	120...376 (4.72"...14.80")	120...373 (4.72"...14.68")	120...373 (4.72"...14.68")
GAX7 400AN	428 (16.85)	120...476 (4.72"...18.74")	120...473 (4.72"...18.62")	120...473 (4.72"...18.62")
GAX7 500AN	528 (20.79)	120...576 (4.72"...22.68")	120...573 (4.72"...22.56")	120...573 (4.72"...22.56")

Terminal covers

GAX81 - GAX83

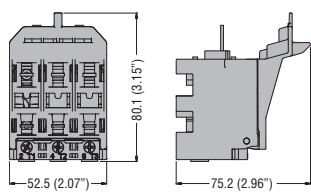


GAX82 - GAX84



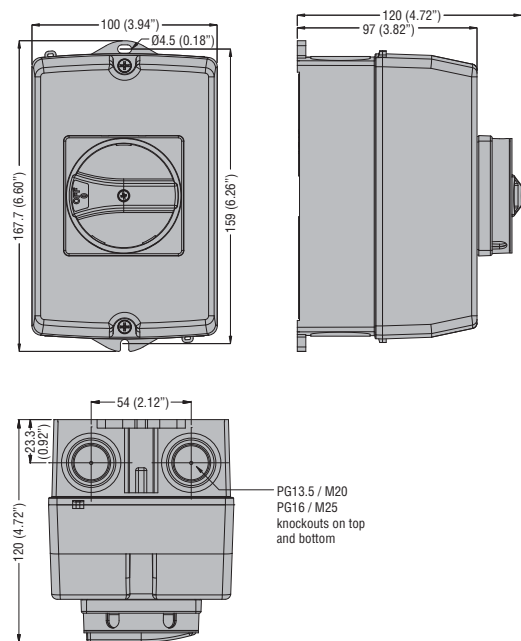
Fuse holder

GAX39 1 - GAX39 1UL

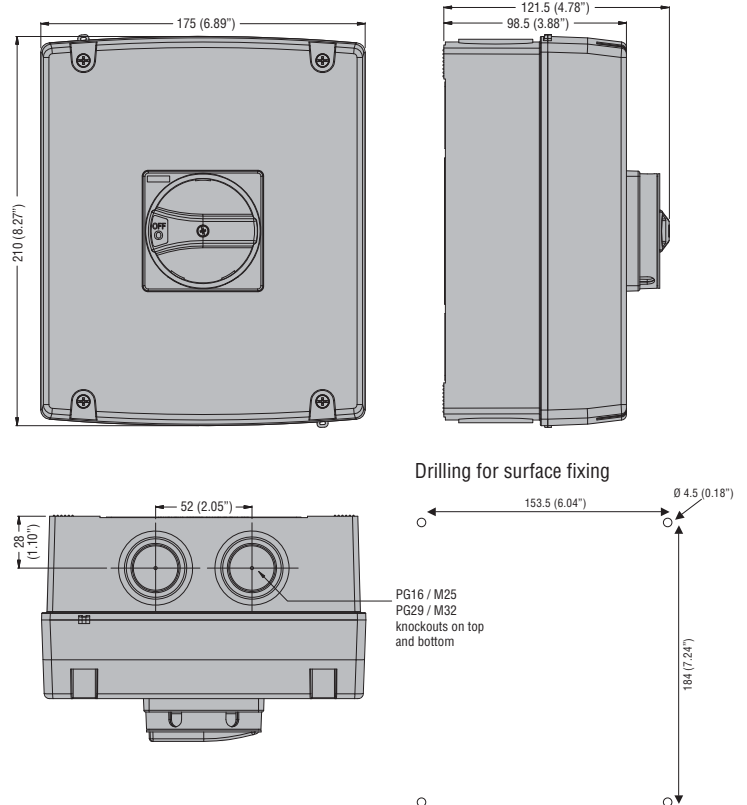


ENCLOSED SWITCH DISCONNECTORS AND EMPTY ENCLOSURES

GAZ016...GAZ040... GAZ016...GAZ040...UL GAZ1... - GAZ1...UL GAZ025D...



GAZ063 SA...GAZ100 C... GAZ063 SAUL... GAZ2... - GAZ2...UL

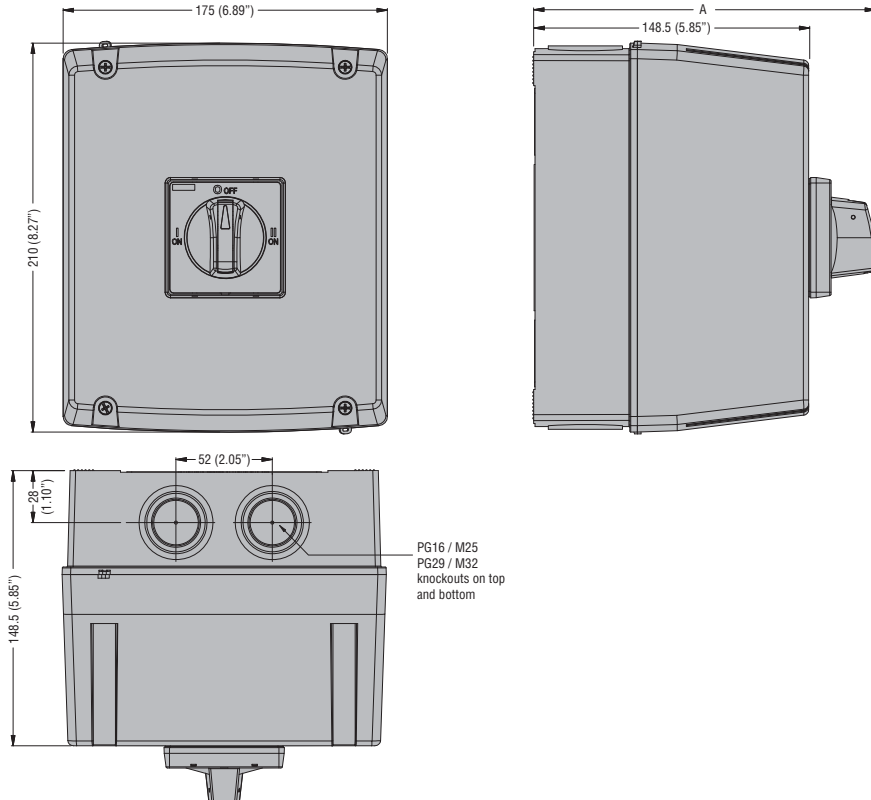


Drilling for surface fixing

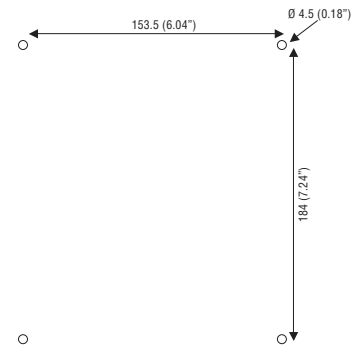
11 Switch disconnectors

Dimensions [mm(in)]

GAZ025 ET6...GAZ063 SAET6 - GAZ025 ET8...GAZ063 SAET8 - GAZ032 D... - GAZ040 D...

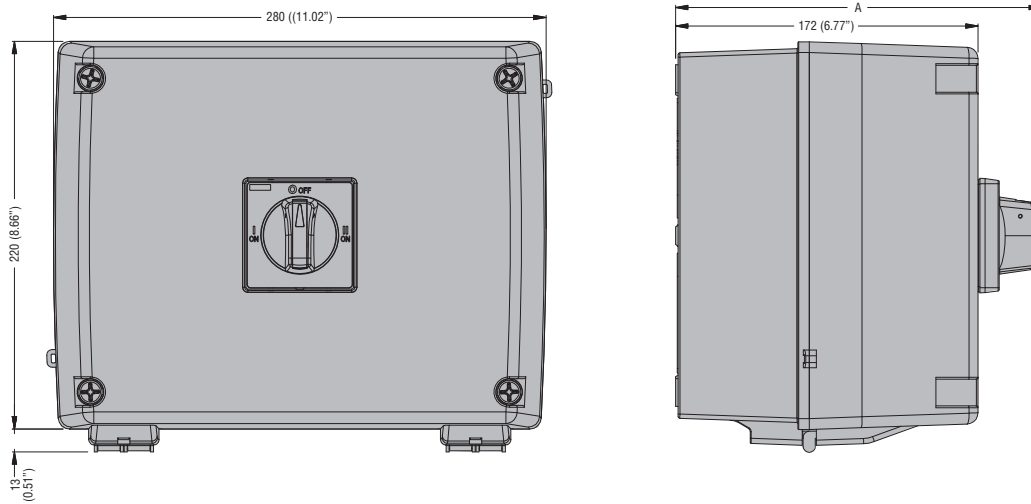


Drilling



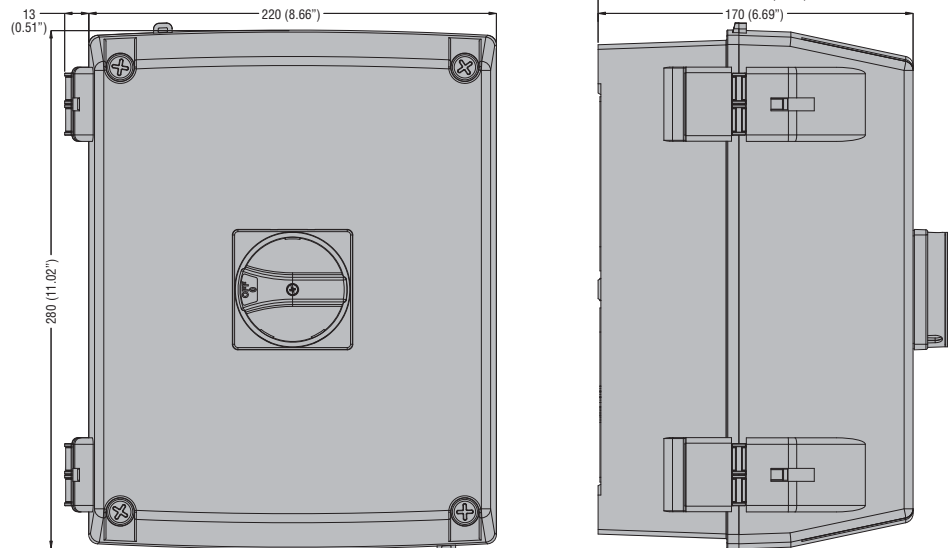
Type	A
GAZ032 D...	171.5 (6.75")
GAZ040 D...	171.5 (6.75")
GAZ025 ET...	183.5 (7.22")
GAZ063 SAET...	183.5 (7.22")

GAZ125... - GAZ063...UL - GAZ125...UL - GAZ080 ET6 - GAZ125 ET6 - GAZ160 ET6 - GAZ080 ET8 - GAZ125 ET8 - GAZ160 ET8



Type	A
GAZ125	193 (7.60")
GAZ063...UL	193 (7.60")
GAZ125...UL	193 (7.60")
GAZ080 ET6	208 (8.19")
GAZ125 ET6	208 (8.19")
GAZ160 ET6	208 (8.19")
GAZ080 ET8	208 (8.19")
GAZ125 ET8	208 (8.19")
GAZ160 ET8	208 (8.19")

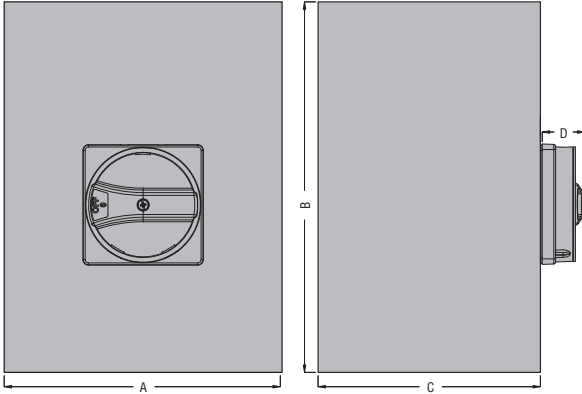
GAZ125... - GAZ160... - GAZ080 UL...GAZ125...UL - GAZ3...



11 Switch disconnectors

Dimensions [mm(in)]

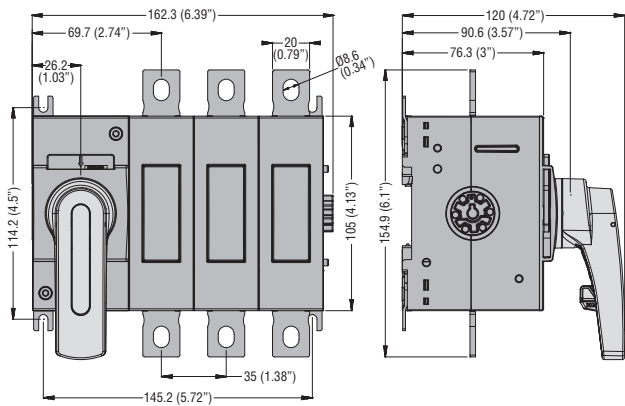
SWITCH DISCONNECTORS AND CHANGEOVER SWITCHES IN METAL AND STAINLESS STEEL AISI 304 ENCLOSURES



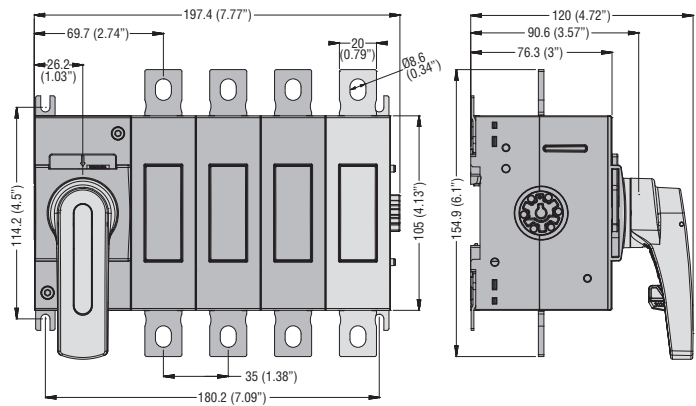
Type	A	B	C	D
GAZM016...GAZM100...	150 (5.90")	200 (7.87")	120 (4.72")	23 (0.90")
GAZM125...GAZM160...	200 (7.87")	300 (11.81")	120 (4.72")	23 (0.90")
GAZM016 E...GAZM063SA E...	150 (5.90")	200 (7.87")	120 (4.72")	35 (1.38")
GAZM063 ET6...GAZM160 ET6...	200 (7.87")	300 (11.81")	120 (4.72")	35 (1.38")
GAZM063 ET8...GAZM160 ET8...	300 (11.81")	400 (15.75")	120 (4.72")	35 (1.38")
GAZS016...GAZS100...	150 (5.90")	200 (7.87")	120 (4.72")	23 (0.90")
GLZM0160...GLZM0315...	300 (11.81")	400 (15.75")	250 (9.84")	45,7 (1.80")
GLZM0160 E...GLZM0315 E...	300 (11.81")	400 (15.75")	250 (9.84")	45,7 (1.80")

GL SERIES 160A TO 315A SWITCH DISCONNECTORS

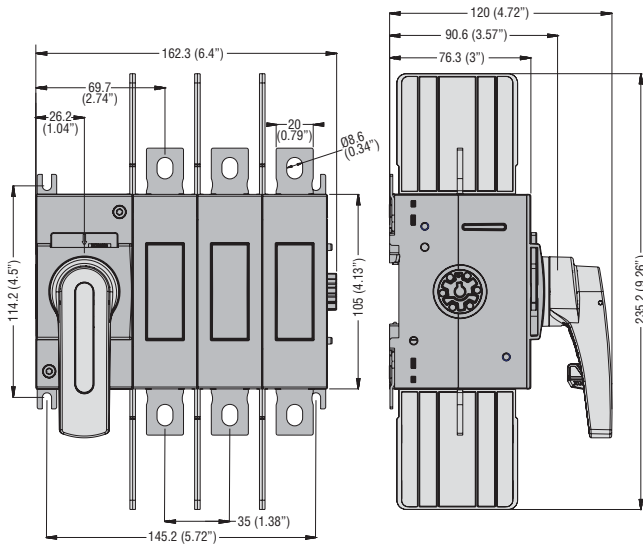
GL0160C1...GL0315C1



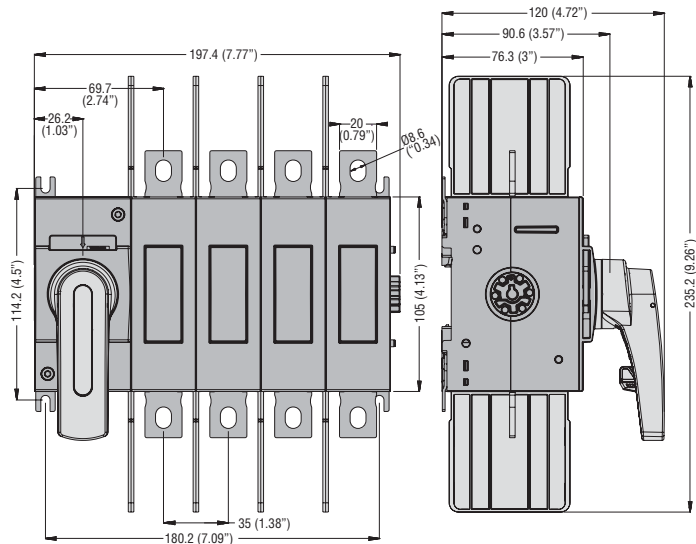
GL0160C1...GL0315C1 with add-on fourth pole GLX42 0315



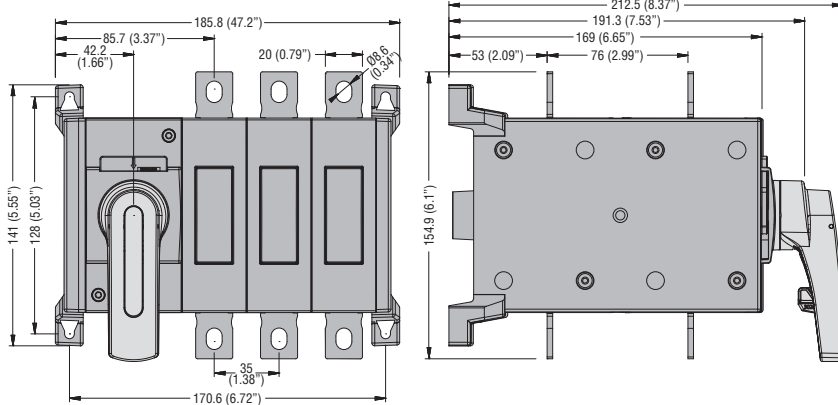
GL0200 C1UL



GL0200 C1UL with add-on fourth pole GLX42 0200UL



GLC0160C1...GLC0315C1

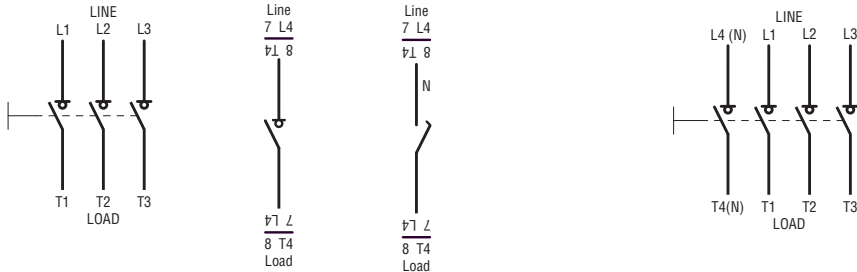


OPEN AND ENCLOSED GA SERIES 16A TO 160A SWITCH DISCONNECTORS

Three-pole disconnectors
GA016...GA160A/C
GAZ016...GAZ160/B
GAZ016UL...GAZ125UL
GAZM016...GAZM160/B
GAZS016...GAZS100/B

Fourth pole
GAX42... **GAX41...**

Four-pole disconnectors
GAZ016 T4...GAZ160 T4/B
GAZ016 T4UL...GAZ125 T4UL
GAZM016 T4...GAZM160 T4/B



ADD-ON BLOCKS AND ACCESSORIES

Auxiliary contacts
GAX10...

GAX11... - GAX12...

Neutral terminal
GAX31... - GAX32...

Earth/Ground terminal
GAX33... - GAX34...

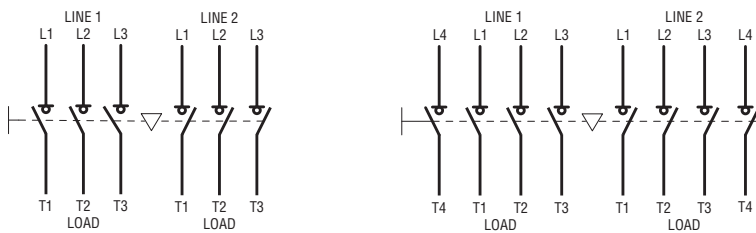
Fuse holder
GAX39 1 - GAX39 1UL



ENCLOSED CHANGEOVER SWITCHES

Three-pole **GAZ...ET6**

Four-pole **GAZ...ET8**

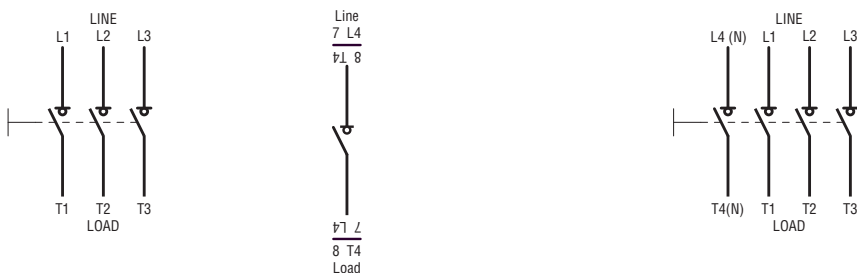


OPEN AND ENCLOSED GL SERIES 160 TO 315A SWITCH DISCONNECTORS

Three-pole
GL0160...GL0315...
GLZM0160...GLZM0315/B

Fourth pole
GLX42...

Four-pole
GLZM0160 T4...GLZM0315 T4/B



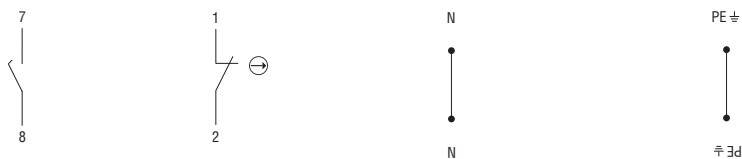
ADD-ON BLOCKS AND ACCESSORIES

Auxiliary contacts
GLX10 10EA

GLX10 01

Neutral terminal
GLX3 00

Earth/Ground terminal
GLX3 01



11 Switch disconnectors

Technical characteristics

GA series 16A to 160A - Switch disconnectors

TYPE	3-pole	GA016...	GA025...	GA032...	GA040...	GA063 SA	GA030...	GA063...	GA080...	GA100...	GA125...	GA160A	
	4th pole	GAX42 040...	GAX42 040...	GAX42 040...	GAX42 040...	GAX42 063SA	GAX42 063...	GAX42 063...	GAX42 080...	GAX42 100...	GAX42 125...	GAX42 160A	
CONTACT CHARACTERISTICS													
IEC conventional free air thermal current I _{th} (≤40°C)	A	16	25	32	40	63	30	63	80	100	125	160	
IEC rated insulation voltage U _i	V	1000											
IEC rated impulse withstand voltage U _{imp}	kV	8											
IEC rated operational current I _e													
AC21A	400V	A	16	25	32	40	63	30	63	80	100	125	160
	500V	A	16	25	32	40	63	30	63	80	100	125	160
	690V	A	16	25	32	40	63	30	63	80	100	125	160
AC22A	400V	A	16	25	32	40	45	30	63	80	100	125	125
	500V	A	16	25	32	40	45	30	63	80	100	125	125
	690V	A	16	25	32	40	45	30	63	80	100	125	125
AC23A	400V	A	16	25	32	40	45	30	63	80	100	125	125
	500V	A	16	25	25	25	25	30	63	63	80	100	100
	690V	A	16	25	25	25	25	30	47	47	47	47	47
Power dissipation	W/pole	0.2	0.4	0.6	1.0	2.9	0.4	1.6	2.6	4.0	6.3	12	
IEC rated operational power													
AC23A	400V	kW	7.5	11	15	18.5	22	15	30	45	55	55	
	690V	kW	11	22	22	22	22	30	45	45	45	45	
IEC reactive power for control of capacitors 400V	kvar	7.5	10	12.5	15	15	12.5	25	30	40	50	50	
Short circuit protection													
Rated short-time current (1s) I _{cs}	A rms	800					2500						
Conditional short-circuit current	kA rms	50											
With fuse class gG	A	16	25	32	40	63	63	63	80	100	125	160	
Making capacity AC23A 400V	A	400				450		1250					
Breaking capacity AC23A 400V	A	320				360		1000					
Mechanical life	cycles	100,000				100,000		30,000					
Electrical life (AC21A)	cycles	100,000				15,000		30,000				1,500	
Terminals	type	Pillar terminal											
	A mm	5.6				12.4							
	B mm	6.5				10.4							
	Screw	M4				M8							
	Tool	Phillips 2				Metric Allen key 4							
Tightening torque	Nm	1.8...2				5...6							
	lbin	16...18				45...54							
Conductor section min...max	mm ²	0.75...16				4...70							
	AWG	18...6				12...1							
AMBIENT CONDITIONS													
Temperature	Operating	°C					-25...+55						
	Storage	°C					-40...+70						
Maximum altitude	m	3000											
Mounting position	Normal	Vertical											
	Admissible	Any											
Fixing		Screw or 35mm DIN rail (IEC/EN 60715)											



TECHNICAL DATA ACCORDING TO UL/CSA RATINGS

TYPE	3-pole	GA016...	GA025...	GA032...	GA040...	GA063 SA	GA030...	GA063...	GA080...	GA100...	GA125...	GA160A	
	4th pole	GAX42 040...	GAX42 040...	GAX42 040...	GAX42 040...	GAX42 063SA	GAX42 063...	GAX42 063...	GAX42 080...	GAX42 100...	GAX42 125...	GAX42 160A	
Compliance		UL60947-4-1; CSA C22.2 n°60947-4-1					UL98; CSA C22.2 n°4						
General purpose current ratings	A	16	25	32	40	60	30	60	100	100	100	—	
Max operating voltage	V	600											
Horsepower ratings/motor FLA current three-phase	240V	HP/A	5/15.2	7.5/22	10/28	15/42	15/42	10/28	20/54	25/68	30/80	30/80	—
	480V	HP/A	10/14	15/21	20/27	20/27	30/40	20/27	40/52	40/52	50/65	60/77	—
	600V	HP/A	10/11	20/22	20/22	25/27	30/32	30/32	40/41	40/41	50/52	60/62	—
Short circuit ratings	KA rms	5					50						
With fuse	type/A	RK5/30	RK5/30	RK5/35	RK5/45	RK5/45	J/60	J/60	J/100	J/100	J/100	—	