

### Solid-core



DM0T...



DM2T...



DM3T...



DM35T...



DM4T...

Order code	Primary current I <sub>pn</sub>	Burden		Qty per pkg.	Weight [kg]
		cl. 0.5 [VA]	cl. 1 [VA]		

For Ø22mm/0.87" cable.

<b>DM0T 0050</b>	50	—	1.25	1	0.200
<b>DM0T 0060</b>	60	—	1.5	1	0.200
<b>DM0T 0080</b>	80	—	1.5	1	0.200
<b>DM0T 0100</b>	100	—	1.5	1	0.200
<b>DM0T 0150</b>	150	—	2	1	0.200

For Ø23mm/0.90" cable.  
For 30x10mm/1.18x0.39", 25x12.5mm/0.98x0.49",  
20x15mm/0.79x0.59" busbars.

<b>DM2T 0100</b>	100	—	1	1	0.130
<b>DM2T 0150</b>	150	—	1.5	1	0.130
<b>DM2T 0200</b>	200	—	2	1	0.130
<b>DM2T 0250</b>	250	—	2.5	1	0.130
<b>DM2T 0300</b>	300	1.5	3	1	0.130
<b>DM2T 0400</b>	400	2	3	1	0.130

For Ø30mm/1.18" cable.  
For 40x10mm/1.57x0.39", 30x20mm/1.18x0.79",  
25x25mm/0.98x0.98" busbars.

<b>DM3T 0200</b>	200	—	5	1	0.260
<b>DM3T 0250</b>	250	—	5	1	0.260
<b>DM3T 0300</b>	300	2.5	5	1	0.260
<b>DM3T 0400</b>	400	2.5	5	1	0.260
<b>DM3T 0500</b>	500	2.5	5	1	0.260
<b>DM3T 0600</b>	600	5	10	1	0.260
<b>DM3T 0800</b>	800	5	10	1	0.260

For Ø66mm/2.60" cable.  
For 80x12.5mm/3.15"x0.49", 60x30mm/2.36x1.18",  
50x50mm/1.97x1.97" busbars.

<b>DM35T 0800</b>	800	10	15	1	0.460
<b>DM35T 1000</b>	1000	15	20	1	0.460
<b>DM35T 1250</b>	1250	15	20	1	0.460

For Ø86mm/3.38" cable.  
For 100x30mm/3.94x1.18", 80x50mm/3.15x1.97",  
70x60mm/2.75x2.36" busbars.

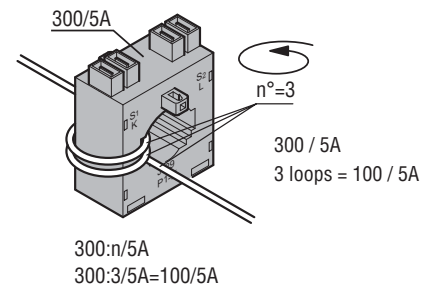
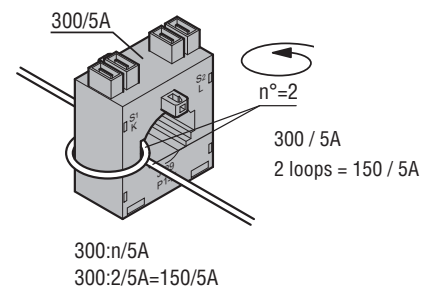
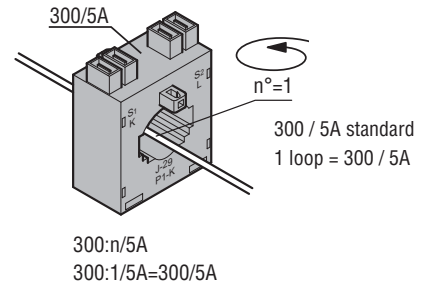
<b>DM4T 1000</b>	1000	10	20	1	0.700
<b>DM4T 1250</b>	1250	15	30	1	0.760
<b>DM4T 1500</b>	1500	20	30	1	0.760
<b>DM4T 1600</b>	1600	20	30	1	0.800
<b>DM4T 2000</b>	2000	30	45	1	0.840
<b>DM4T 2500</b>	2500	35	45	1	0.900
<b>DM4T 3000</b>	3000	45	45	1	0.900
<b>DM4T 3500</b>	3500	50	50	1	0.900
<b>DM4T 4000</b>	4000	50	50	1	0.900

### General characteristics

The current transformers (CTs) in the DM series are installed in an electrical system to reduce the line current to a secondary value of 5A compatible with the ammeter inputs of the digital multimeters or protection relays.

DM... are instrument transformers in class 1/0.5 without a primary winding and are normally used for high primary current values starting from 50A.

The number of loops of the primary cable does not modify the accuracy but converts the primary current value proportional to secondary current.



### Operational characteristics

- Operating frequency: 50-60Hz
- Secondary output current: 5A
- Overload withstand: 120% I<sub>pn</sub>
- IEC rated insulation voltage U<sub>i</sub>: 720V
- IEC rated short-time thermal current I<sub>th</sub>: 40-60 I<sub>pn</sub> for 1 second
- IEC rated dynamic current I<sub>dyn</sub>: 2.5 I<sub>th</sub> for 1 second
- Insulation (dry type): Class E
- Terminals:
  - Faston for DM2T and DM3T types
  - Screw for DM0T, DM4T and DM35T types
- Sealable terminal covers for DM4T and DM35T types
- Fixing on 35mm DIN rail (IEC/EN 60715) or by screws (fixing elements standard supplied with the product)
- EN degree of protection: IP30
- Ambient conditions:
  - Operating temperature: -25...+50°C
  - Storage temperature: -40...+80°C
  - Relative humidity, non condensing: 90%.

### Certifications and compliance

Certifications obtained: EAC.  
Compliant with standards: IEC/EN 61869-2, IEC/EN 61869-1.

### Accuracy solid-core



DM1TP...



DM3TP...



DM5TP...

Version with UTF certificates.  
See page 24-13.

Order code	Primary current I <sub>pn</sub>	Burden		Qty per pkg.	Weight
		cl. 0.5s	cl. 0.5		
	/5 [A]	[VA]	[VA]	n°	[kg]

For Ø28mm/1.10" <sup>❶</sup> cable.  
For 30x10mm/1.18x0.39", 25x12.5mm/0.98x0.49",  
20x20mm/0.79x0.79" busbar.

DM1TP 0060	60	1.5	1.5	1	0.560
DM1TP 0080	80	2.5	2.5	1	0.580
DM1TP 0100	100	2.5	3.75	1	0.480
DM1TP 0150	150	2.5	3.75	1	0.480
DM1TP 0200	200	2.5	3.75	1	0.480
DM1TP 0250	250	2.5	5	1	0.480
DM1TP 0300	300	2.5	5	1	0.480
DM1TP 0400 <sup>❷</sup>	400	5	5	1	0.480
DM1TP 0500 <sup>❷</sup>	500	5	5	1	0.480

For Ø52mm/2.04" <sup>❶</sup> cable.  
For 60x20mm/2.36x0.79", 50x25mm/1.97x0.98" busbar.

DM3TP 0500	500	3.75	5	1	0.700
DM3TP 0600	600	5	10	1	0.700
DM3TP 0800	800	5	10	1	0.700
DM3TP 1000	1000	5	10	1	0.700

For Ø85.5mm/3.37" <sup>❶</sup> cable.  
For 100x20mm/3.94x0.79", 80x45mm/3.15x1.77" busbar.

DM5TP 1000	1000	5	10	1	0.900
DM5TP 1250	1250	7.5	10	1	0.900
DM5TP 1600	1600	7.5	10	1	0.900
DM5TP 2000	2000	10	15	1	0.900
DM5TP 2500	2500	10	15	1	0.900
DM5TP 3000	3000	10	15	1	0.900

<sup>❶</sup> Consult Technical support to inquiry about versions with Italian UTF certificates.

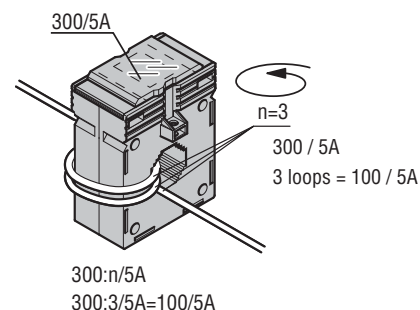
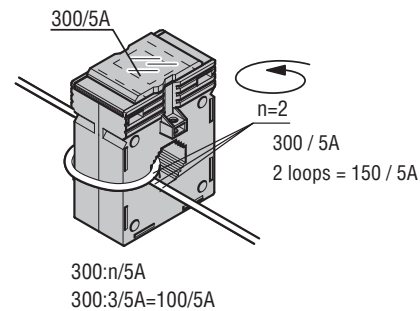
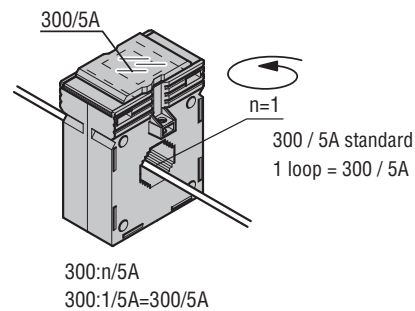
<sup>❷</sup> For Ø33mm cable. For 40x10mm, 30x20mm, 25x25mm busbar.

### General characteristics

The DM...TP type accuracy current transformers (CTs) are installed in an electrical system to reduce the line current to a secondary value of 5A compatible with the ammeter inputs of the digital multimeters or protection relays.

DM...TP are accuracy current transformers in class 0.5s without a primary winding and are normally used for high primary current values starting from 60A.

The number of loops of the primary cable does not modify the accuracy but converts the primary current value proportional to secondary current.



### Operational characteristics

- Operating frequency: 50-60Hz
- Secondary output current: 5A
- Overload withstand: 120% I<sub>pn</sub>
- IEC rated insulation voltage U<sub>i</sub>: 720V
- IEC rated short-time thermal current I<sub>th</sub>: 40-60 I<sub>pn</sub> for 1 second
- IEC rated dynamic current I<sub>dyn</sub>: 2.5 I<sub>th</sub> for 1 second
- Insulation (dry type): Class E
- Screw terminals
- Sealable terminal covers
- Fixing on 35mm DIN rail (IEC/EN 60715) or by screws (fixing elements standard supplied with the product)
- EN degree of protection: IP30
- Ambient conditions:
  - Operating temperature: -25...+50°C
  - Storage temperature: -40...+80°C.
  - Relative humidity, non condensing: 90%.

### Certifications and compliance

Certifications obtained: EAC.

Compliant with standards: IEC/EN 61869-2, IEC/EN 61869-1.

### Compact prewired split-core



DM1TMA...



DM2TMA...

Order code	Primary current I <sub>pn</sub>	Burden		Qty per pkg.	Weight [kg]
		cl. 0.5	cl. 1		
	/5 [A]	[VA]	[VA]	n°	
24x24mm/0.94x0.94" hole. Cable supplied as standard, length 1m.					
<b>DM1TMA 0100</b>	100	—	1.2	1	0.200
<b>DM1TMA 0150</b>	150	—	1.2	1	0.200
<b>DM1TMA 0200</b>	200	—	1.2	1	0.200
<b>DM1TMA 0250</b>	250	—	1.2	1	0.200
36x38mm/1.42x1.50" hole. Cable supplied as standard, length 1m.					
<b>DM2TMA 0250</b>	250	—	1.5	1	0.380
<b>DM2TMA 0300</b>	300	—	1.5	1	0.380
<b>DM2TMA 0400</b>	400	—	1.5	1	0.380
<b>DM2TMA 0500</b>	500	—	1.5	1	0.380

#### General characteristics

The DM...TMA type current transformers (CTs) are installed in an electrical system to reduce the line current to a secondary value of 5A compatible with the ammeter inputs of the digital multimeters or protection relays. DM...TMA are instrument transformers in class 1 without a primary winding and are normally used for high primary current values starting from 100A.

#### Operational characteristics

- Operating frequency: 50-60Hz
- Secondary output current: 5A
- Overload withstand: 120% I<sub>pn</sub>
- IEC rated insulation voltage U<sub>i</sub>: 720V
- IEC rated short-time thermal current I<sub>th</sub>: 40-60 I<sub>pn</sub> for 1 second
- IEC rated dynamic current I<sub>dyn</sub>: 2.5 I<sub>th</sub> for 1 second
- Cable supplied as standard, length 1m.
- Insulation (dry type): Class E
- Ambient conditions:
  - Operating temperature: -25...+50°C
  - Storage temperature: -40...+80°C
  - Relative humidity, non condensing: 90%.

#### Certifications and compliance

Certifications obtained: EAC.  
Compliant with standards: IEC/EN 61869-2, IEC/EN 61869-1.

### Split-core



DM1TA...



DM2TA...



DM3TA...



DM4TA...

Order code	Primary current I <sub>pn</sub>	Burden		Qty per pkg.	Weight [kg]
		cl. 0.5	cl. 1		
	/5 [A]	[VA]	[VA]	n°	
50x80mm/1.97x3.15" hole.					
<b>DM1TA 0250</b>	250	1	2	1	0.900
<b>DM1TA 0300</b>	300	1.5	3	1	0.900
<b>DM1TA 0400</b>	400	1.5	3	1	0.900
<b>DM1TA 0500</b>	500	2.5	5	1	0.900
<b>DM1TA 0600</b>	600	2.5	5	1	0.900
<b>DM1TA 0800</b>	800	3	7.5	1	0.900
<b>DM1TA 1000</b>	1000	5	10	1	0.900
80x80mm/3.15x3.15" hole.					
<b>DM2TA 0250</b>	250	1	2	1	1.050
<b>DM2TA 0300</b>	300	1.5	3	1	1.050
<b>DM2TA 0400</b>	400	1.5	3	1	1.050
<b>DM2TA 0500</b>	500	2.5	5	1	1.050
<b>DM2TA 0600</b>	600	2.5	5	1	1.050
<b>DM2TA 0800</b>	800	3	7.5	1	1.050
<b>DM2TA 1000</b>	1000	5	10	1	1.050
80x120mm/3.15x4.72" hole.					
<b>DM3TA 0500</b>	500	—	4	1	1.250
<b>DM3TA 0600</b>	600	—	5	1	1.250
<b>DM3TA 0800</b>	800	3	7.5	1	1.250
<b>DM3TA 1000</b>	1000	5	10	1	1.250
<b>DM3TA 1250</b>	1250	7.5	15	1	1.250
<b>DM3TA 1500</b>	1500	8	17	1	1.250
80x160mm/3.15x6.30" hole.					
<b>DM4TA 2000</b>	2000	15	20	1	3.160
<b>DM4TA 2500</b>	2500	15	20	1	3.340
<b>DM4TA 3000</b>	3000	20	25	1	3.500
<b>DM4TA 4000</b>	4000	20	25	1	3.760

#### General characteristics

The DM...TA type current transformers (CTs) are installed in an electrical system to reduce the line current to a secondary value of 5A compatible with the ammeter inputs of the digital multimeters or protection relays. DM...TA are instrument transformers in class 0.5/1 without a primary winding and are normally used for high primary current values starting from 250A.

#### Operational characteristics

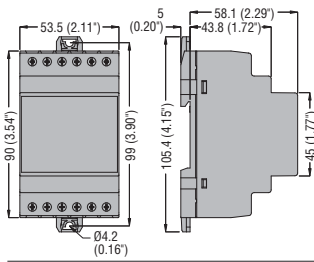
- Operating frequency: 50-60Hz
- Secondary output current: 5A
- Overload withstand: 120% I<sub>pn</sub>
- IEC rated insulation voltage U<sub>i</sub>: 720V
- IEC rated short-time thermal current I<sub>th</sub>: 40-60 I<sub>pn</sub> for 1 second
- IEC rated dynamic current I<sub>dyn</sub>: 2.5 I<sub>th</sub> for 1 second
- Insulation (dry type): Class E
- Screw terminals
- Sealable terminal covers
- Screw fixing (fixing elements standard supplied with the product)
- IEC degree of protection: IP30
- Ambient conditions:
  - Operating temperature: -25...+50°C
  - Storage temperature: -40...+80°C.
  - Relative humidity, non condensing: 90%.

#### Certifications and compliance

Certifications obtained: EAC.  
Compliant with standards: IEC/EN 61869-2, IEC/EN 61869-1.

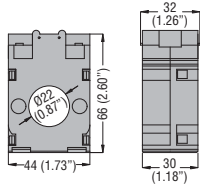
## DIGITAL METERING INSTRUMENTS

### DMK 7... - DMK 8...

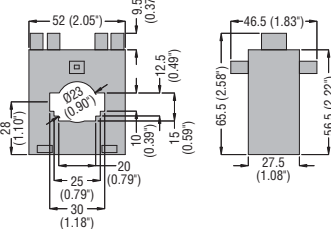


## CURRENT TRANSFORMERS

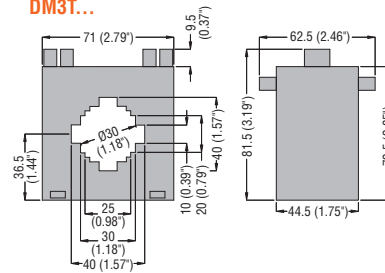
### Solid core DMOT...



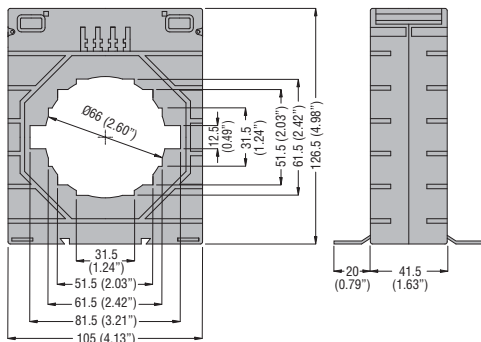
### DM2T...



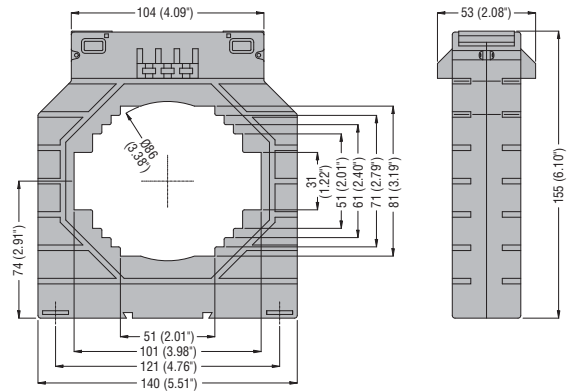
### DM3T...



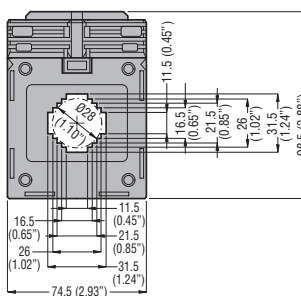
### DM35T...



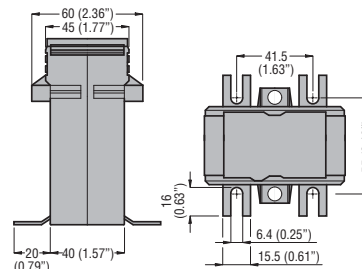
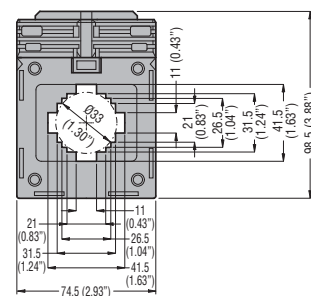
### DM4T...



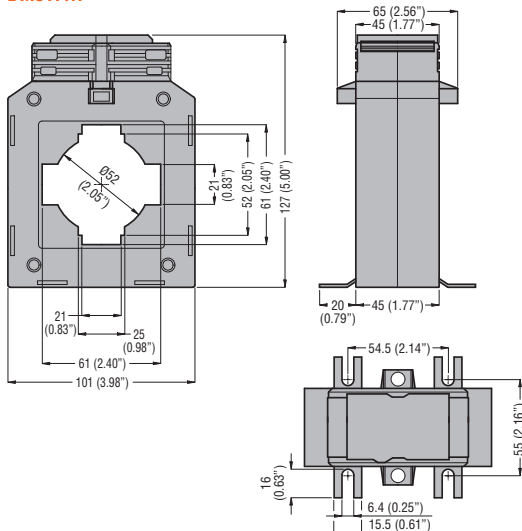
### DM1TP0060... - DM1TP0300



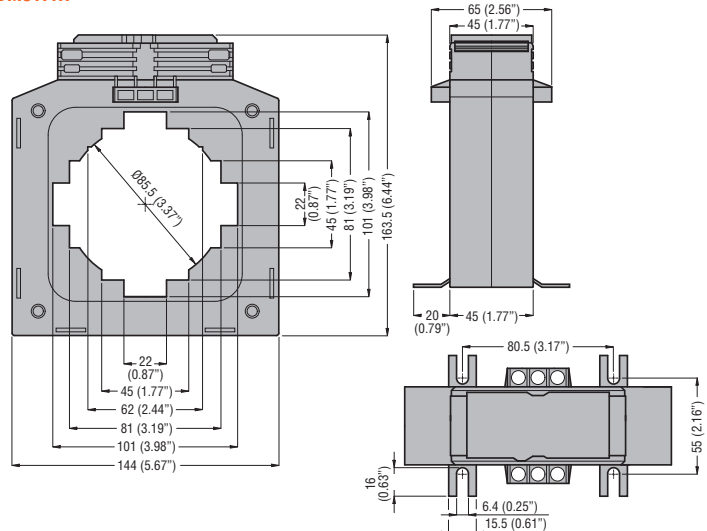
### DM1TP0400... - DM1TP0500



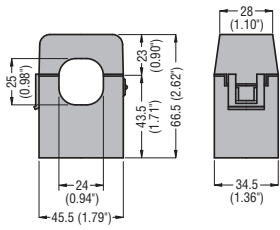
### DM3TP...



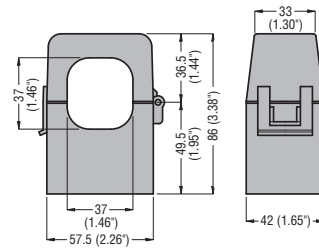
### DM5TP...



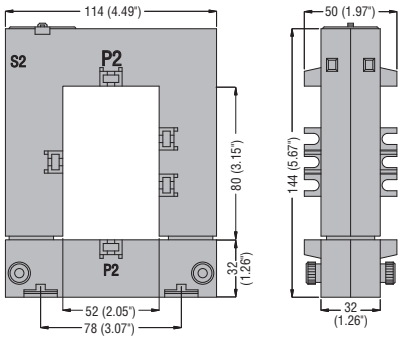
Compact prewired split-core  
DM1TMA...



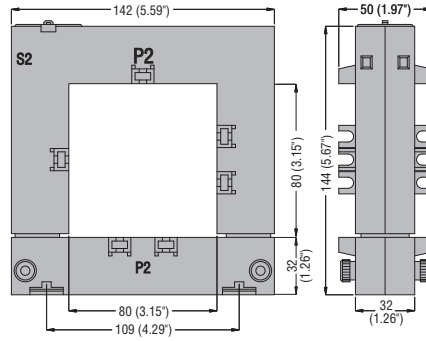
DM2TMA...



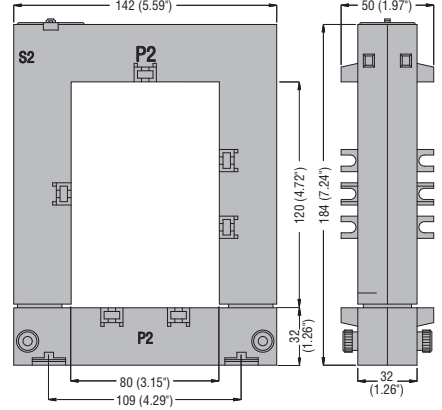
Split-core DM1TA...



DM2TA...



DM3TA...



DM4TA...

