



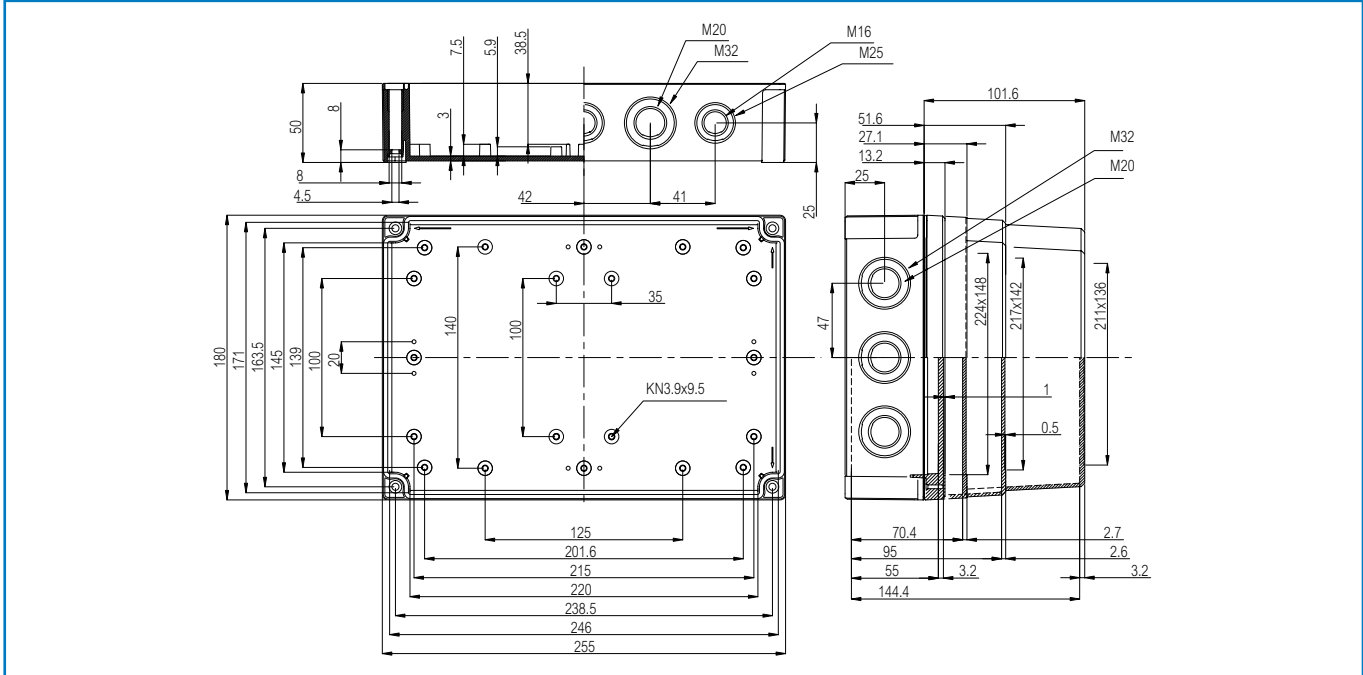
Sample photo

Order symbol: PCM 200/150 T
Product nbr: 6016929
Description: Enclosure, PC
Remarks: Smoked transparent cover

EAN: 6418074038333
EI. number:
 Finland 3421678
 Denmark 8212027394
 Italy 7342080
 Sweden 2535451

Including: Base with metric knock-outs and TPE gasket and screws for mounting plate/DIN-rail, cover with polyamide cover screws and wing heads for cover screws.

Dimensions:		L	W	H	Rating:
mm:		255	180	150	Ingress Protection (EN 60529): IP 66/67
inch:		10	7.1	5.9	Impact Resistance (EN 50102): IK 08
Materials:					
Material:		PC			
Base colour:		RAL 7035			
Cover colour:		Smoked grey			
Cover screws material:		Polyamide			
Cover screws colour:		Black			
Gasket material:		TPE			
Temperatures:					
Short term:		-40 ... 120 °C			
Continuous:		-40 ... 80 °C			
Short term:		-40 ... 250 °F			
Continuous:		-40 ... 175 °F			
Accessories:					
MIV 200		Mounting plate			
MIN 15		DIN-15 Mounting rail			
MIN 20		DIN-15 Mounting rail			
MIV 15		DIN-35 Mounting rail			
MIV 20		DIN-35 Mounting rail			
FP A 200/180		Front plate			
HFP 180		Front plate hinge series			
					Electrical insulation: Totally insulated
					Halogen free (DIN/VDE 0472, Part 815): Yes
					UV resistance: UL 508
					Flammability Rating (UL 746 C 5): UL 94 5V
					Glow Wire Test (IEC 695-2-1) °C: 960
					NEMA Class: NEMA 1, 4, 4X, 6, 12, 13
Certificates:					
		Germanischer Lloyd (GL)			
		Underwriters Laboratories			
		Det Norske Veritas			
		Fimko			
		Europe EN 50298 1998			
		UL Canada			
		Gost R			



(c) Fibox OY, Data subject to change without notice