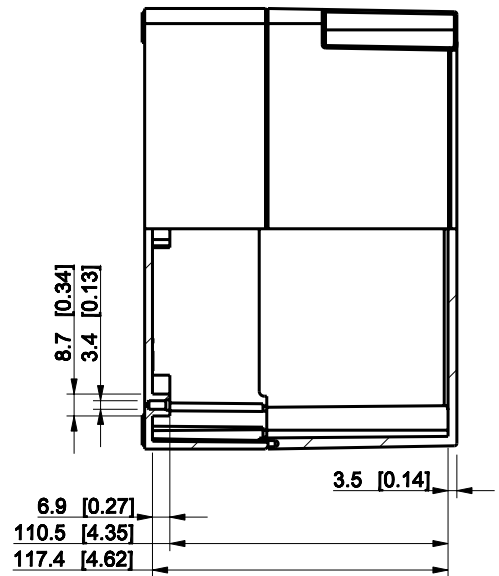
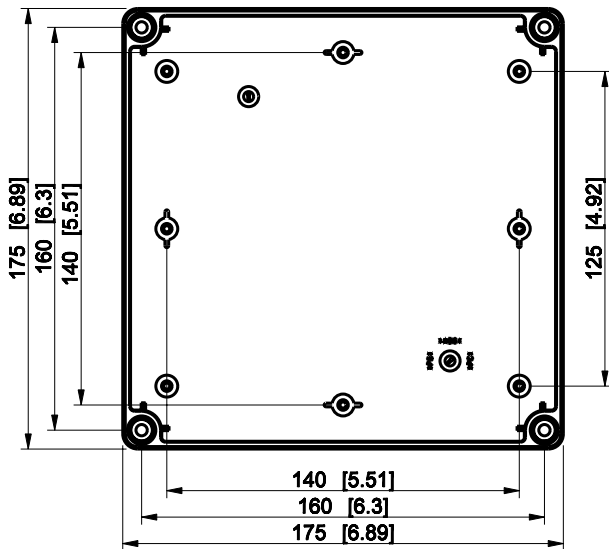
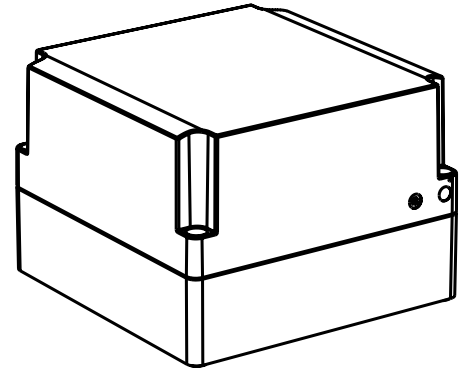
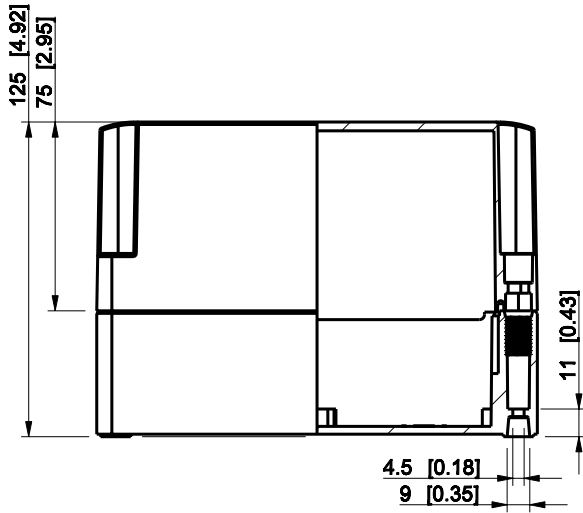



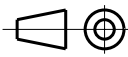
ID	Description	Date	By	Appr.
A				



Dimensions in mm [inches]

Material: ABS	Color: RAL 7035
---------------	-----------------

Supplier:	Tool No:	Weight [kg]: 0.58	Volume:
-----------	----------	-------------------	---------

model SABP181813G PART drawing CUBOS DRAWING	 ENSTO CONTROL OY		  <h2 style="margin: 0;">SABP181813G</h2>	Replaces:
	Scale	Date		Replaced:
	1:3	08.12.08		Drw No: - A
	-	By PKOs		Ref: Cubo S
	-	Checked		Code: SABP181813G
	Ctrl	Sheet No:		